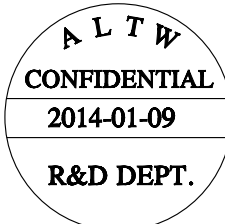
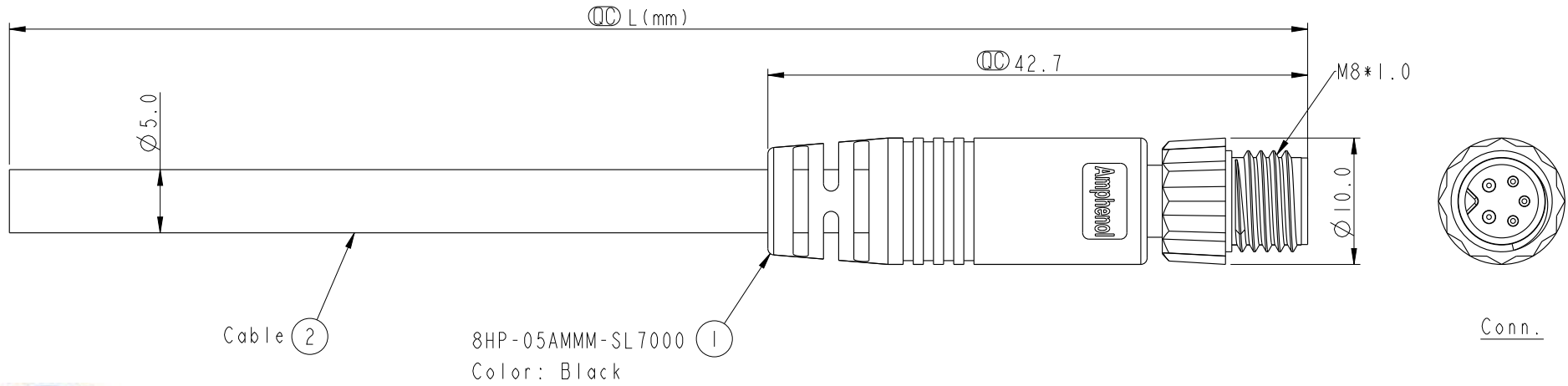
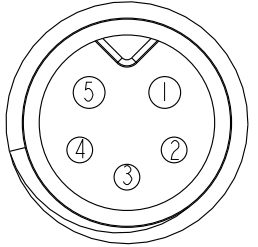


REV.	ECN NO.	DATE	SIGN	DESCRIPTION



8HP-05AMMM-SL7AXX
 XX: 01~99Meters
 01: 01Meter
 02: 02Meter
 ...
 99: 99Meters
 Cable Length(L): 01~99Meters

- Note:
- * (CC) Important Dimension.
 - * Waterproof Rate: IP67.
 - * Connector: PU, Black.
 - * Male Pin: Copper Alloy, Gold Plated.
 - * Screw Nut: Nylon+GF, Black.
 - * Cable: UL2464 24AWG*5C+Talcum, PVC Jacket, UV Resistant, OD=5.0, Black.
 - * Cable Length Tolerance: 01M: ±40mm
 02~05M: ±60mm
 06~10M: ±100mm
 11~30M: ±200mm
 31~99M: ±500mm



Pin	Wire Color	Pin Out
5	Yellow 黃	
4	Orange 橘	
3	Red 紅	
2	Brown 棕	
1	Black 黑	
Conn.	Wire Color	Pin Out

UNIT:mm		TITLE
TOLERANCE	±0.5 mm	M8 5Pin Cable M Conn. M Pin
SCALE	2:1	SIZE A4
REV.	A	SHEET 1 OF 1
WC-REV.	A.3	(CC): Inspection item

Amphenol LTW
 安費諾亮泰企業股份有限公司

ITEM NO	DRAWN BY	DATE
DWG NO	CHECKED BY	DATE
CUSTOMER	APPROVED BY	DATE
	Mila	2014-01-09
	Jimmy	2014-01-09
	Jerry	2014-01-09