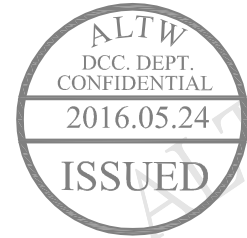
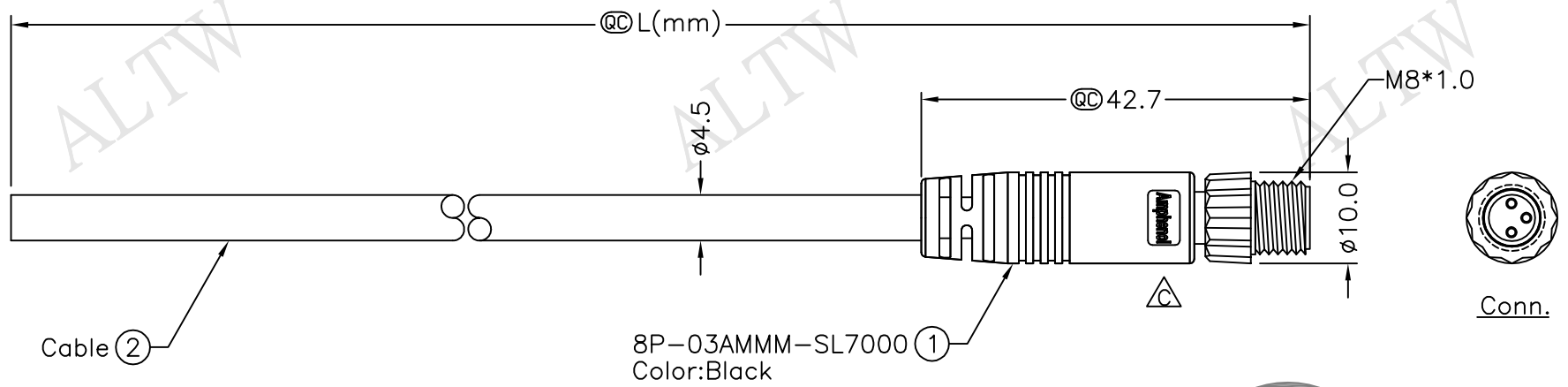
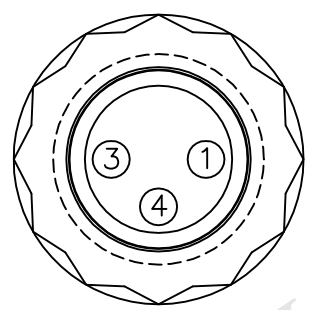


REV.	ECN NO.	DATE	SIGN	DESCRIPTION
B	LEN-920494~497	2009/02/24	Vicky	Update the drawing.
C	LEN1650534~537	2016/05/16	Vicky	Update Logo



8P-03AMMM-SL7BXX
 XX:01~99Meters
 01:01Meter
 02:02Meters
 :
 :
 99:99Meters
 Cable Length(L):01~99Meters

- Note:
- * @C Important Dimension.
 - * Waterproof Rate:IP67.
 - * Connector:PU,Black.
 - * Male Pin:Copper Alloy,Gold Plated.
 - * Cable:22AWG*3C+Insulation,Black, PU,OD=4.5mm.
 - * Cable Length Tolerance: 01M:±40mm
 02M~05M:±60mm
 06M~10M:±100mm
 11M~30M:±200mm
 31M~99M:±500mm



Pin Assignments
Front View

4	Black	黑
3	Blue	藍
1	Brown	棕
Conn.	Wire Color	
	Pin Out	

UNIT:mm	
TOLERANCE	±0.5 mm

TITLE	M8 Conn	
	Cable Screw 3P M Conn M Pin	
SCALE	Free	SHEET 1 OF 1
REV.	C	SIZE A4 @C :Inspection Item

Amphenol LTW
 安費諾亮泰企業股份有限公司

ITEM NO	DRAWN BY	DATE
DWG NO	CHECKED BY	DATE
CUSTOMER	APPROVED BY	DATE
	Vicky	2016/05/16
8P-03AMMM-SL7BXX	Rita	2016/05/16
ALTW	Lisa	2016/05/16

THIS DOCUMENT IS SUBJECT TO CHANGE WITHOUT NOTICE. IT IS CONFIDENTIAL AND A PROPERTY OF Amphenol LTW. DISCLOSURE TO THIRD PARTY HAS TO BE AUTHORIZED BY Amphenol LTW.