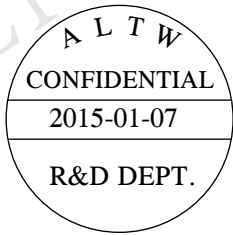
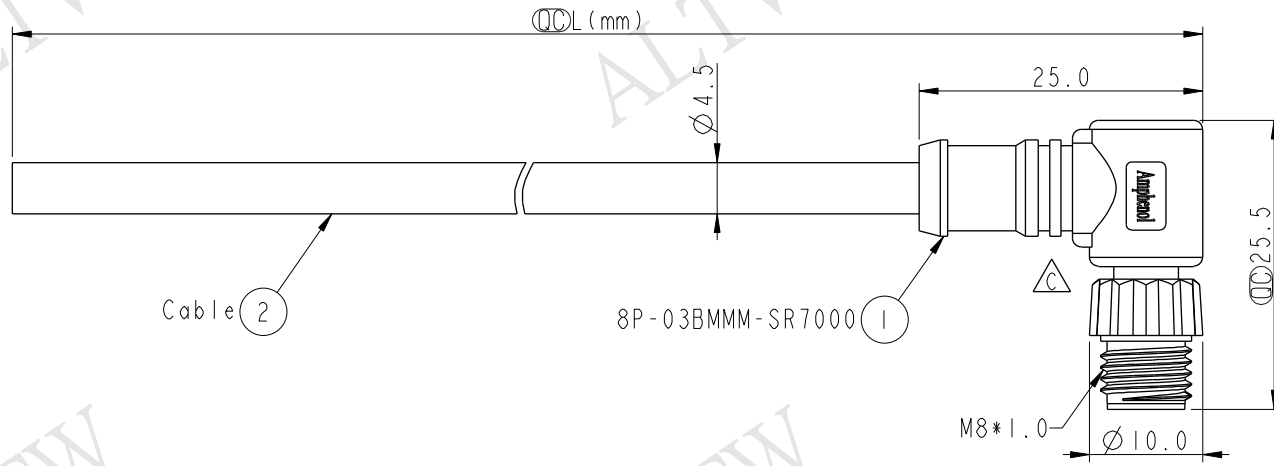
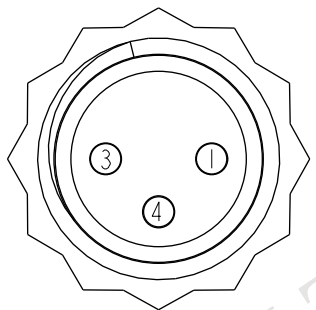


REV.	ECN NO.	DATE	SIGN	DESCRIPTION
B	LEN-920302~305	2009/02/16	Vicky	Update the drawing.
C	LEN1510283~286	2015/01/07	Sam	Update logo.



8P-03BMMM-SR7BXX
 XX: 01~99Meters
 01: 01Meter
 02: 02Meters
 ...
 99: 99Meters
 Cable Length(L): 01~99Meters



Pin Assignments
Front View

4	Black	黑
3	Blue	藍
1	Brown	棕
Conn.	Wire Color	
	Pin Out	

- Notes:
- * \varnothing Important Dimension.
 - * Waterproof Rate: IP67.
 - * Connector: PU, Black.
 - * Female Pin: Copper Alloy, Gold Plated.
 - * Cable: 22AWG*3C+Insulation, Black, PU, OD=4.5mm.
 - * Cable Length Tolerance:
 - 01M: ±40mm
 - 02M~05M: ±60mm
 - 06M~10M: ±100mm
 - 11M~30M: ±200mm
 - 31M~99M: ±500mm

UNIT:mm TOLERANCE ±0.5 mm	TITLE M8 Conn Cable Screw 3P M Conn M Pin			Amphenol LTW 安費諾亮泰企業股份有限公司	ITEM NO	DRAWN BY	DATE
	SCALE 3:2	SIZE A4	SHEET 1 OF 1		DWG NO 8P-03BMMM-SR7BXX	CHECKED BY Vicky	DATE 2015-01-07
	REV. C	WC-REV. A.1	\varnothing : Inspection item		CUSTOMER ALTW	APPROVED BY Rita	DATE 2015-01-07

THIS DOCUMENT IS SUBJECT TO CHANGE WITHOUT NOTICE. IT IS CONFIDENTIAL AND A PROPERTY OF Amphenol LTW. DISCLOSURE TO THIRD PARTY HAS TO BE AUTHORIZED BY Amphenol LTW.