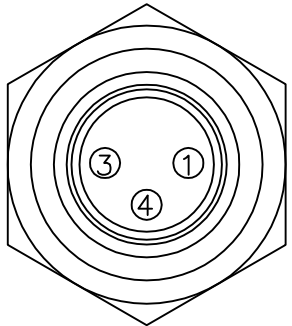
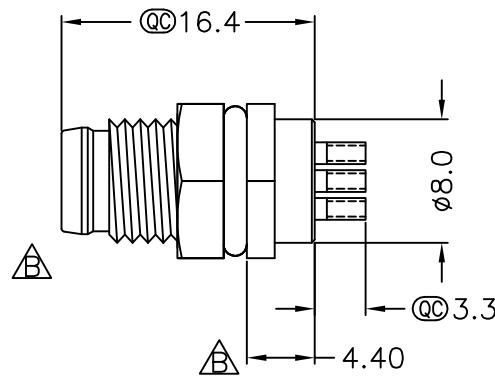
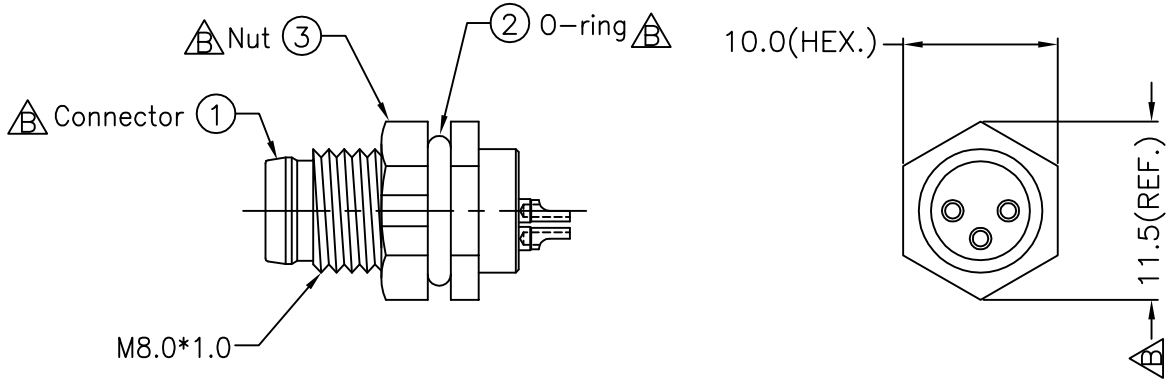
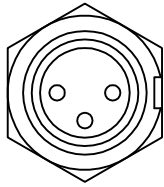
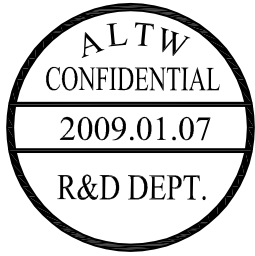
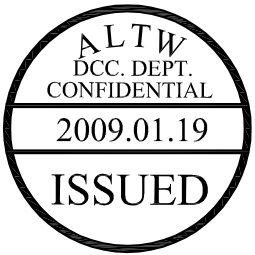
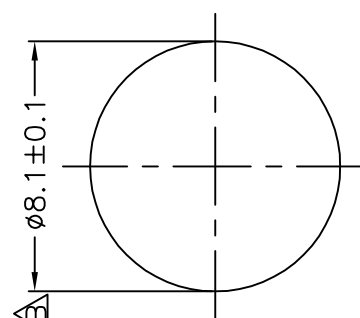


|     |            |            |          |                         |
|-----|------------|------------|----------|-------------------------|
| REV | ECN NO.    | DATE       | SIGN     | DESCRIPTION             |
| B   | LEN-910193 | 2009/01/07 | Ivan Lin | Change rev. to ECN note |
|     |            |            |          |                         |
|     |            |            |          |                         |



Pin Assignments  
Front View 前視圖



Recommended Panel Cut-Out

- Note:
- \* @Important Dimension To Check.
  - \* Waterproof Rate: IP67
  - \* Housing: Black, Nylon+GF
  - \* Male Pin: Copper Alloy, Gold Plated
  - \* Nut: Black, Nylon+GF
  - \* O-Ring: Black, EPDM
  - \* For Panel Thickness Max 3.0mm

|   |               |   |
|---|---------------|---|
| UNIT:mm   |               | TITLE<br>M8 Conn<br>Panel Screw 3P M Conn M Pin |
| TOLERANCE<br>.X ±0.25<br>.XX ±0.1<br>.XXX ±0.05<br>ANGLES ±1° | SCALE<br>Free | SHEET 1 OF 1                                    |
| REV. B  | SIZE A4       | QC :Inspection Item                             |

**Amphenol LTW**  
安費諾亮泰企業股份有限公司

|                             |                           |                    |
|-----------------------------|---------------------------|--------------------|
| ITEM NO<br>8P-03PMMS-SF7001 | DRAWN BY<br>Ivan Lin      | DATE<br>2009/01/07 |
| DWG NO<br>8P-03PMMS-SF7001  | CHECKED BY<br>Tommy Hom   | DATE<br>2009/01/07 |
| CUSTOMER<br>ALTW            | APPROVED BY<br>Luke Chang | DATE<br>2009/01/07 |

THIS DOCUMENT IS SUBJECT TO CHANGE WITHOUT NOTICE. IT IS CONFIDENTIAL AND A PROPERTY OF Amphenol LTW. DISCLOSURE TO THIRD PARTY HAS TO BE AUTHORIZED BY Amphenol LTW.

1 2 3 4 5 6 7 8

F

E

D

C

B

A

1 2 3 4 5 6 7 8

8 FMWIG702-01-01A2