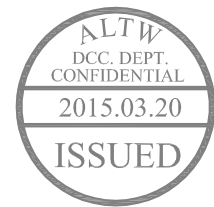
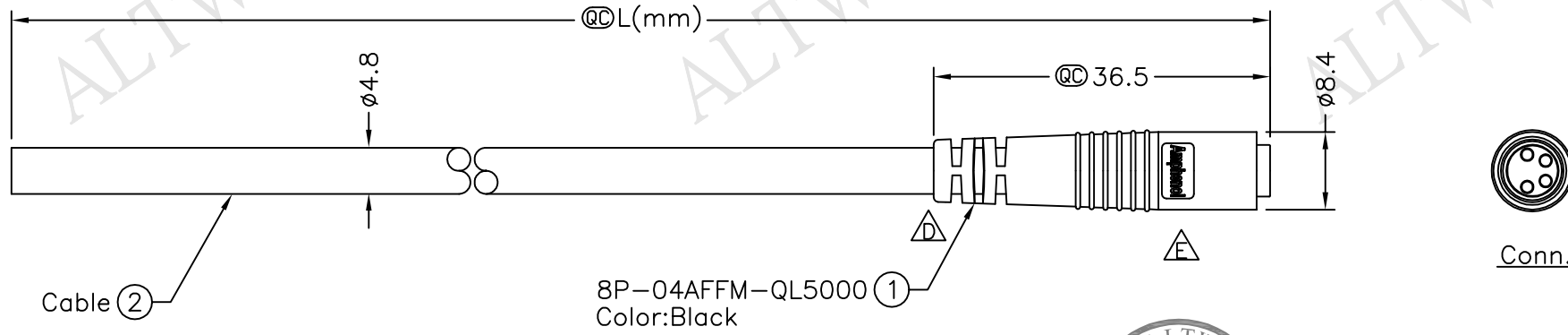


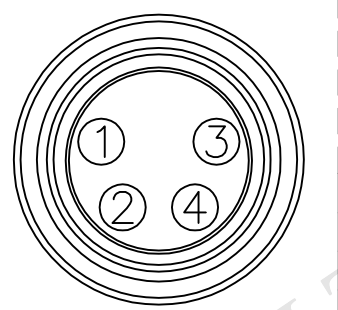
REV.	ECN NO.	DATE	SIGN	DESCRIPTION
C	LEN-920513~518	2009/02/19	Vicky	Update the drawing.
D	LEN1160230~235	2011/06/22	Jiang Jun Hua	Change the view
E	LEN1530307~312	2015/02/11	Ruru	Change Logo



8P-04AFFM-QL5BXX  
 XX:01~99Meters  
 01:01Meter  
 02:02Meters  
 :  
 :  
 99:99Meters  
 Cable Length(L):01~99Meters

- Notes:
- \* @C Important Dimension.
  - \* Waterproof Rate: IP65.
  - \* Connector: PU, Black
  - \* Female Pin: Copper Alloy, Gold Plated.
  - \* Cable: 22AWG\*4C+Insulation, PU, OD=4.8mm, Black
  - \* Cable Length Tolerance:
 

01M:±40mm
02M~05M:±60mm
06M~10M:±100mm
11M~30M:±200mm
31M~99M:±500mm



Pin Assignments  
Front View

Pin	Wire Color	Pin Out
4	Black	黑
3	Blue	藍
2	White	白
1	Brown	棕
Conn.	Wire Color	

UNIT:mm	
TOLERANCE	±0.5 mm

TITLE	M8 Conn	
	Cable Quick 4P F Conn F Pin	
SCALE	Free	SHEET 1 OF 1
REV.	E	SIZE A4
		@C :Inspection Item

**Amphenol LTW**  
 安費諾亮泰企業股份有限公司

ITEM NO	DRAWN BY	DATE
DWG NO	CHECKED BY	DATE
CUSTOMER	APPROVED BY	DATE
	Ruru	2015/02/11
8P-04AFFM-QL5BXX	Rita	2015/02/11
ALTW	Lion	2015/02/11

THIS DOCUMENT IS SUBJECT TO CHANGE WITHOUT NOTICE. IT IS CONFIDENTIAL AND A PROPERTY OF Amphenol LTW. DISCLOSURE TO THIRD PARTY HAS TO BE AUTHORIZED BY Amphenol LTW.

1  
F  
E  
D  
C  
B  
A

2  
3

4  
5

6  
7

8  
8 FMWIG02-01-01A2