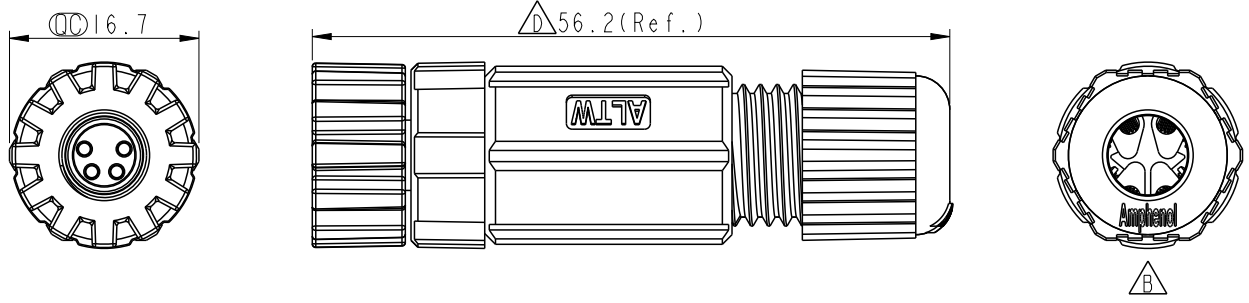
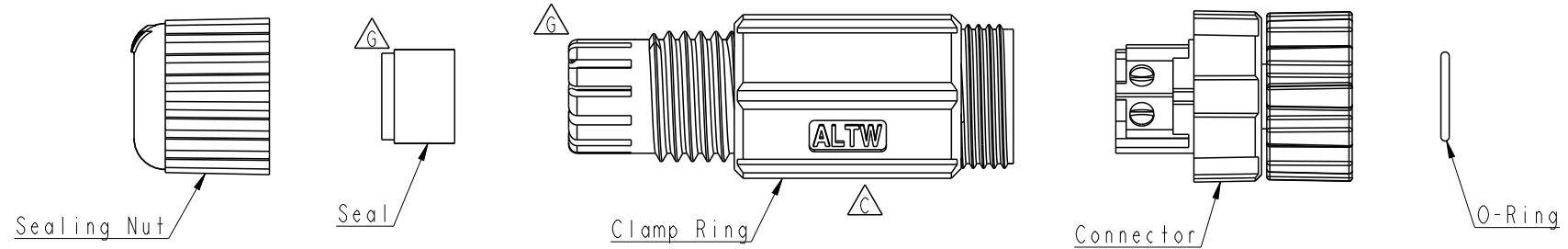
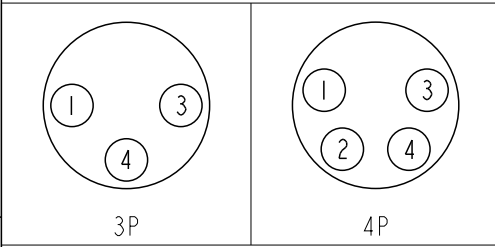


THIS DOCUMENT IS SUBJECT TO CHANGE WITHOUT NOTICE. IT IS CONFIDENTIAL AND A PROPERTY OF AMPHENOL LTW. DISCLOSURE TO THIRD PARTY HAS TO BE AUTHORIZED BY AMPHENOL LTW.

REV.	ECN NO.	DATE	SIGN	DESCRIPTION
E	C210686	2021/05/07	Peng	△E X5
F	C221880	2022/12/06	Vicky	△E X1
G	C240471	2024/06/14	Sam Ho	△G X2



- △E Note:
- \* RoHS Compliant
  - \* ∅ Important Dimension
  - △F \* Waterproof rate: IP67, mated Connector
  - Housing: Thermoplastic, Black
  - Pin: Copper alloy, Gold plated
  - Extension Nut: Thermoplastic, Black
  - Nut: Thermoplastic, Black
  - O-Ring: Rubber, Black
  - \* O-Ring: Rubber, Green
  - \* Clamp Ring: Thermoplastic, Black
  - \* Sealing Nut: Thermoplastic, Black
  - \* Seal: Rubber, Black, OD:∅4.5mm-∅6.5mm
  - \* One set unassembled in one pe bag



△E 8P-XXBFFB-SL7001  
 XX: No. Of Pin

△E Pin Assignments Front View

UNIT:mm		TITLE	O SEN, M8 PLASTIC CABLE W/O SR, F, F, FI SCREW IN	
TOLERANCE		SCALE	2:1	SHEET 1 OF 1
.X ±0.25		REV.	G	WC-REV. A.3
.XX ±0.1		∅: Inspection item		
.XXX ±0.05				
ANGLES ±1°				

**Amphenol LTW**  
 安費諾亮泰企業股份有限公司

ITEM NO	DRAWN BY	DATE
	Sam Ho	2024/06/14
DWG NO	CHECKED BY	DATE
△E 8P-XXBFFB-SL7001	Aric Ko	2024/06/14
CUSTOMER	APPROVED BY	DATE
ALTW	Fred Lee	2024/06/14