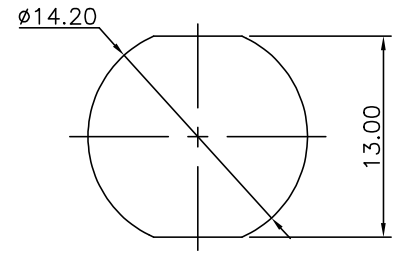
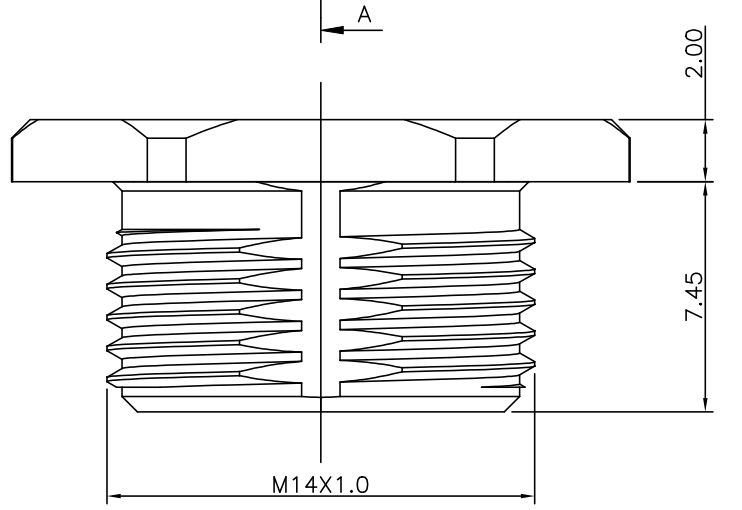
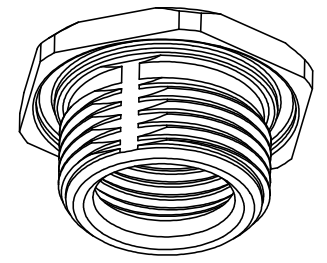
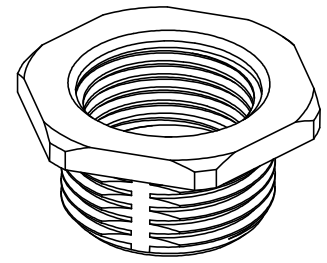
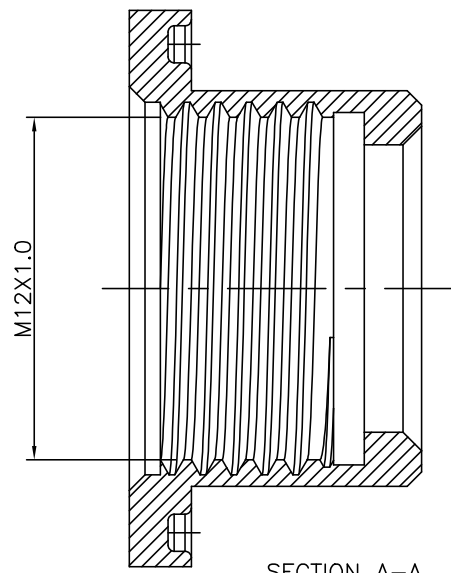
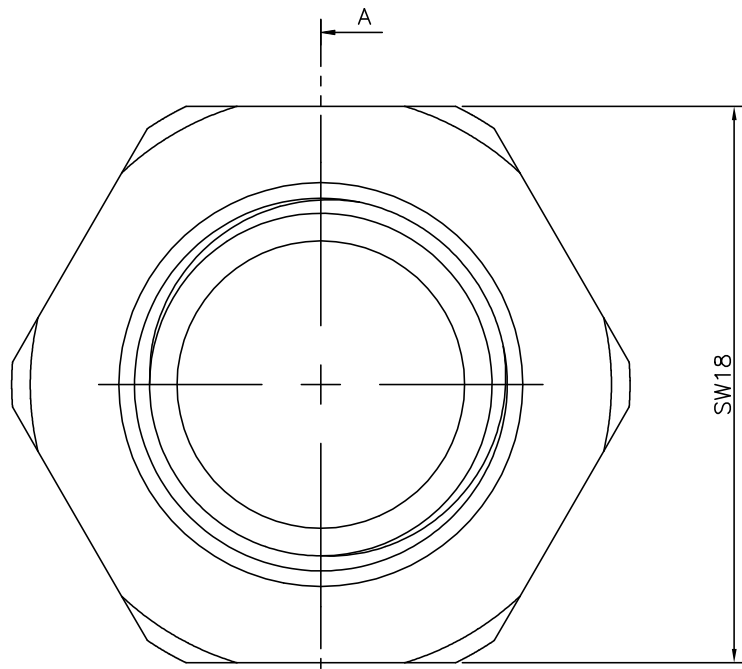


5	6	7	8
REV. A	ECN NO.	DATE 2020-01-20	SIGN Allen Pan
			DESCRIPTION Rev.02 To Rev.A



- NOTES:
- \* MATERIAL : METAL.
  - \* SALT SPRAY : 96H.
  - \* For Panel Thickness Max. 4mm.

UNIT:mm	
TOLERANCE	
.X	±0.25
.XX	±0.1
.XXX	±0.05
ANGLES	±1'

TITLE	
M12 FEMALE REAR MOUNTING HEXAGONAL NUT	
SCALE	SHEET
4 : 1	1 OF 1
REV. A	SIZE A4
© : Inspection Item	

**Amphenol LTW**  
安費諾亮泰企業股份有限公司

ITEM NO	APTM-BMBFA012-002
DWG NO	APTM-BMBFA012-002
CUSTOMER	ALTW

DRAWN BY	Allen Pan
CHECKED BY	Fred Lee
APPROVED BY	Fred Lee

DATE	2020-01-20
DATE	2020-01-20
DATE	2020-01-20

THIS DOCUMENT IS SUBJECT TO CHANGE WITHOUT NOTICE. IT IS CONFIDENTIAL AND A PROPERTY OF Amphenol LTW. DISCLOSURE TO THIRD PARTY HAS TO BE AUTHORIZED BY Amphenol LTW.

F  
F  
D  
C  
B  
A

1 2 3 4 5 6 7 8