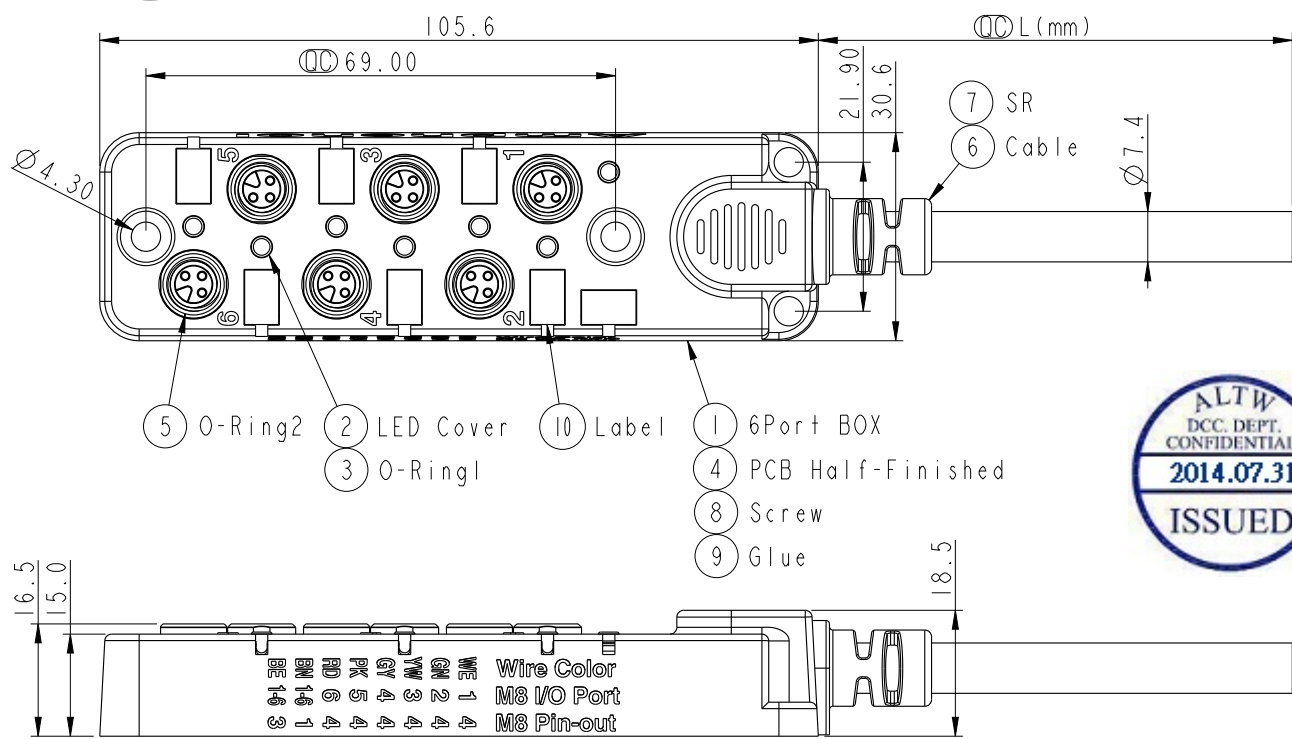
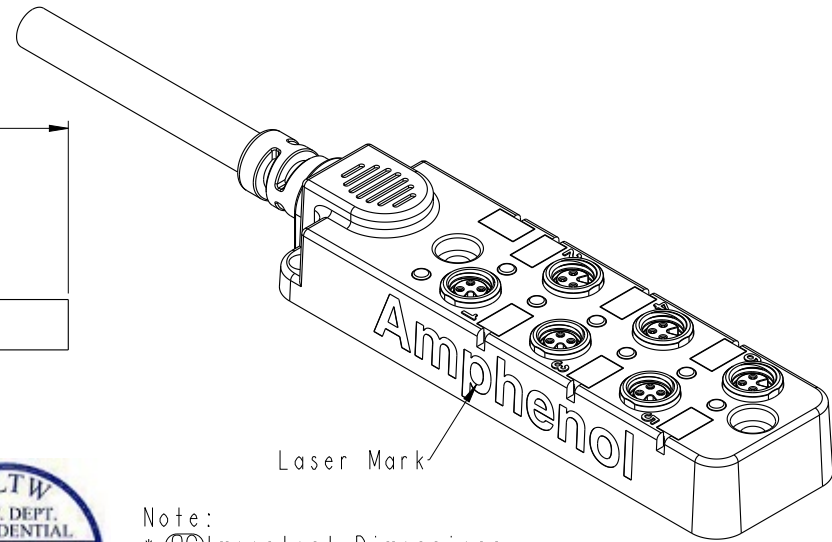


ALTW
CONFIDENTIAL
 2014-07-15
R&D DEPT.

REV.	ECN NO.	DATE	SIGN	DESCRIPTION



ALTW
 DCC. DEPT.
 CONFIDENTIAL
 2014.07.31
ISSUED



Note:
 * \varnothing Important Dimensions.
 Electrical:
 * Voltage: 24VDC, 30V DCMax.
 * Current Sum Max.: 6A
 * Power indicator: 1*LED, Green
 * Function Indicator: 6*LED Yellow
 * Sensor Connections: M8*1, 3-pole Female
 * Switching Output: PNP
 Mechanical:
 * Box Material: PBT+PC, Black
 * Connector Housing Material: Nylon+GF, Black
 * Contact Material: Copper Alloy, Gold plated
 * No. of Ports: 6
 * Style: M8*1.0
 * Mounting type: M4 Screw
 * Cable: UL20549 18AWG*2C+22AWG*6C+ Filler+Paper, PUR Jacket, OD7.4, Black.
 Environmental:
 * Operating Temperature : -20°C~+80°C
 * Waterproof Rate: IP67 (Unmated)
 * Oil Resistant

DB8-3A6CAB-SPS7BXX

XX:01~99 Meters
 01:01 Meter
 02:02 Meters
 ...
 99:99 Meters

Cable Length Tolerance:
 01M:±40mm
 02M~05M:±60mm
 06M~10M:±100mm
 11M~30M:±200mm
 31M~99M:±500mm

Cable Length(L):01~99 Meters

UNIT:mm			TITLE M8 Distribution BOX With Cable			ITEM NO		DRAWN BY Tony_leng		DATE 2014-07-15	
			TOLERANCE .X ±0.25 .XX ±0.1 .XXX ±0.05 ANGLES ±1°			SCALE 9:10	SIZE A4	SHEET 1 OF 2	DWG NO DB8-3A6CAB-SPS7BXX		CHECKED BY Jimmy
REV. A			WC-REV. A.3	\varnothing : Inspection item		CUSTOMER ALTW		APPROVED BY Wenmao		DATE 2014-07-15	

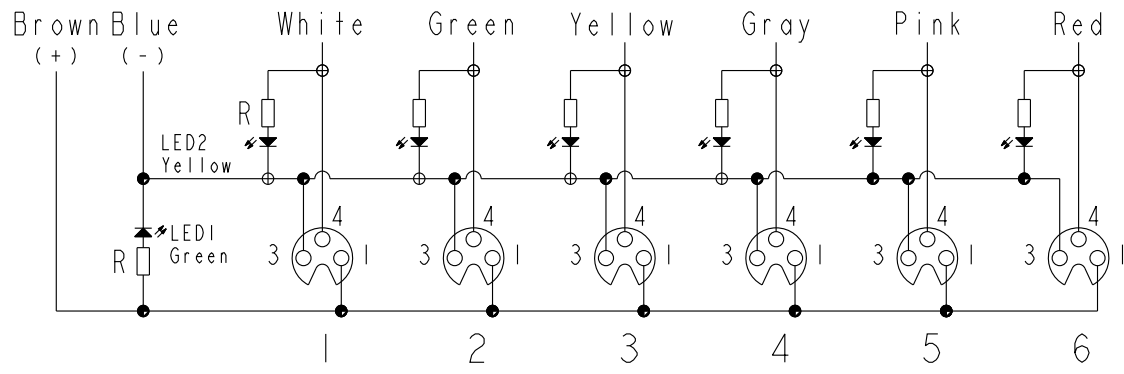
Amphenol LTW
 安費諾亮泰企業股份有限公司

THIS DOCUMENT IS SUBJECT TO CHANGE WITHOUT NOTICE. IT IS CONFIDENTIAL AND A PROPERTY OF Amphenol LTW. DISCLOSURE TO THIRD PARTY HAS TO BE AUTHORIZED BY Amphenol LTW.

THIS DOCUMENT IS SUBJECT TO CHANGE WITHOUT NOTICE. IT IS CONFIDENTIAL AND A PROPERTY OF AMPHENOL LTW. DISCLOSURE TO THIRD PARTY HAS TO BE AUTHORIZED BY AMPHENOL LTW.

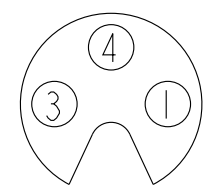


Wire Color

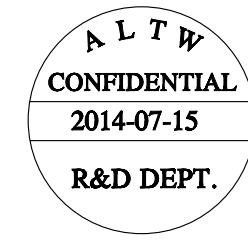


M8 I/O Ports

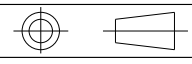
Red	紅	R	6	4
Pink	粉紅	G	5	4
Gray	灰	S	4	4
Yellow	黃	T	3	4
Green	綠	J	2	4
White	白	P	1	4
Blue	藍	BE(-)	1~6	3
Brown	棕	BN(+)	1~6	1
Wire Color	Pin NO.	M8 Port	M8 Pin	



M8



UNIT:mm



TITLE
M8 Distribution BOX With Cable

Amphenol LTW

安費諾亮泰企業股份有限公司

ITEM NO
DWG NO
DB8-3A6CAB-SPS7BXX

DRAWN BY
Tony_leng

DATE
2014-07-15

CHECKED BY
Jimmy

APPROVED BY
Wenmao

DATE
2014-07-15

CUSTOMER
ALTW

DATE
2014-07-15

SCALE 4:5
SIZE A4
SHEET 2 OF 2
REV. A
WC-REV. A.3
QC: Inspection item