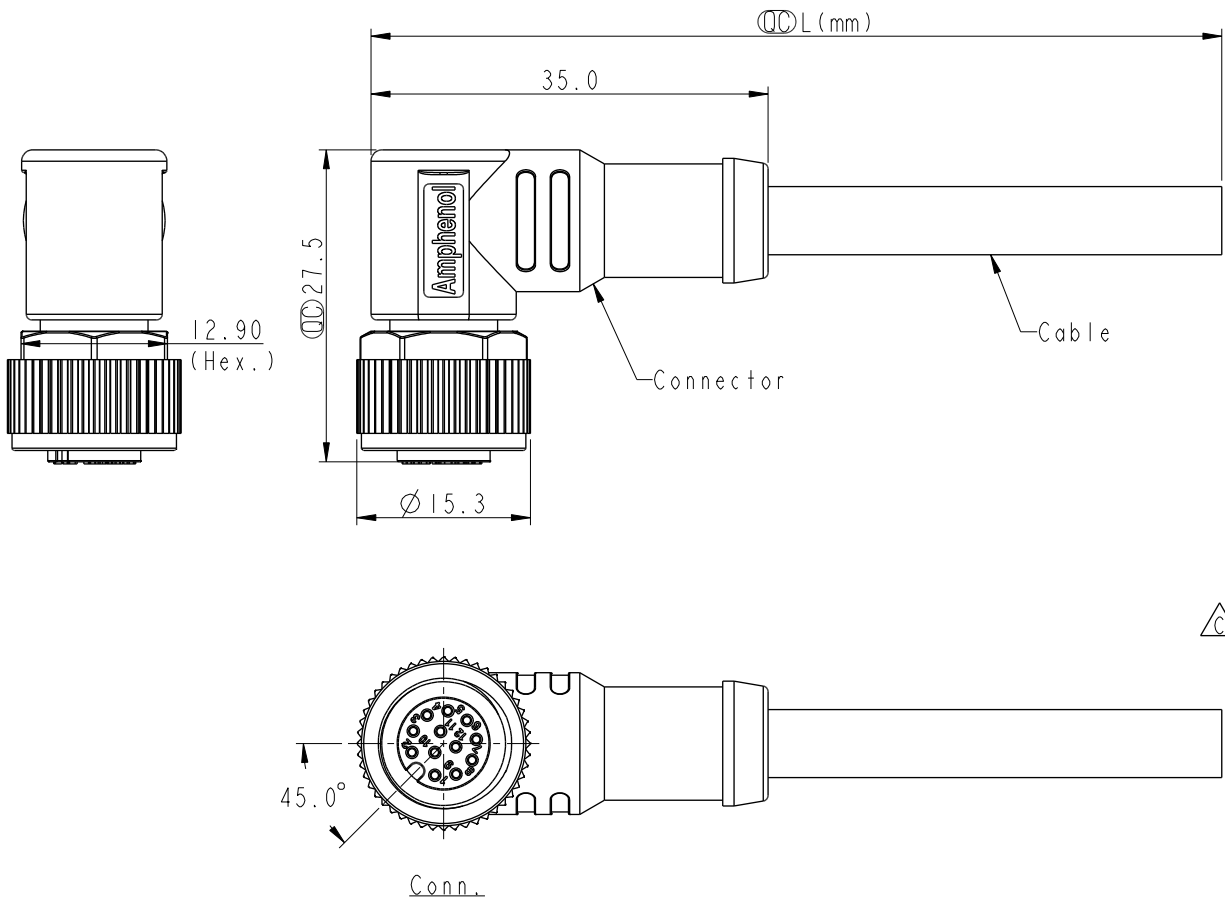


THIS DOCUMENT IS SUBJECT TO CHANGE WITHOUT NOTICE. IT IS CONFIDENTIAL AND A PROPERTY OF Amphenol LTW. DISCLOSURE TO THIRD PARTY HAS TO BE AUTHORIZED BY Amphenol LTW.

REV.	ECN NO.	DATE	SIGN	DESCRIPTION
E	C201596	2020/10/16	Ruru	$\triangle E$ X5
F	C210220	2021/03/02	Vicky	$\triangle F$ X4
G	C221891	2022/12/16	Vicky	$\triangle G$ X1



Note:

- * RoHS Compliant
- * $\text{\textcircled{C}}$ Important dimension
- * $\triangle C \triangle G$ Waterproof rate: IP68, mated 1m/24h
IP69K, mated

- * Connector
- Housing: Thermoplastic, Black
- Pin: Copper alloy, Gold plated
- O-Ring: Rubber, Green
- Nut: Metal
- Outer mold: Thermoplastic, Black
- * Cable: UL2517, PVC Jacket, Yellow
- * Cable length tolerance: 1M: +50/-0 mm

1M < L ≤ 3M:	+100/-0 mm
3M < L ≤ 5M:	+150/-0 mm
5M < L ≤ 10M:	±100 mm
10M < L ≤ 20M:	±200 mm
20M < L ≤ 30M:	±300 mm
30M < L ≤ 99M:	±500 mm



UNIT: mm
TOLERANCE
±0.5mm

TITLE			$\triangle E$
N SEN, M12 A, SCREW CABLE W/O SR, F, F, MOLDING			
SCALE	SIZE	SHEET	OF
3:2	A4	1	2
REV.	WC-REV.	$\text{\textcircled{C}}$: Inspection item	
G	A.2		

Amphenol LTW
安費諾亮泰企業股份有限公司

ITEM NO.	DRAWN BY	DATE
	Lingpeng	2017-04-06
DWG NO.	CHECKED BY	DATE
$\triangle E$ M12A-XXBFFM-SR8AXX	Ma Fei	2017-04-06
CUSTOMER	APPROVED BY	DATE
ALTW	Jerry	2017-04-06

THIS DOCUMENT IS SUBJECT TO CHANGE WITHOUT NOTICE. IT IS CONFIDENTIAL AND A PROPERTY OF Amphenol LTW. DISCLOSURE TO THIRD PARTY HAS TO BE AUTHORIZED BY Amphenol LTW.

 M12A-XXBFFM-SR8AXX	XX: No. Of Pin		XX: 01~99Meters 01: 01Meter 02: 02Meters : 99: 99Meters				<table border="1" style="width: 100%; border-collapse: collapse;"> <tr> <td style="width: 15%;">12P</td> <td style="width: 15%;">6.0</td> <td style="width: 15%;">26</td> <td style="width: 55%;">M12A-12BFFM-SR8AXX</td> </tr> <tr> <td>10P</td> <td></td> <td></td> <td>M12A-10BFFM-SR8AXX</td> </tr> <tr> <td>8P</td> <td>5.5</td> <td rowspan="2">24</td> <td>M12A-08BFFM-SR8AXX</td> </tr> <tr> <td>6P</td> <td>5.0</td> <td>M12A-06BFFM-SR8AXX</td> </tr> <tr> <td>5P</td> <td>5.1</td> <td rowspan="3">22</td> <td>M12A-05BFFM-SR8AXX</td> </tr> <tr> <td>4P</td> <td>4.8</td> <td>M12A-04BFFM-SR8AXX</td> </tr> <tr> <td>3P</td> <td>4.5</td> <td>M12A-03BFFM-SR8AXX</td> </tr> <tr> <td colspan="2">Contacts</td> <td>Cable OD</td> <td>AWG</td> <td>Item No.</td> </tr> </table>		12P	6.0	26	M12A-12BFFM-SR8AXX	10P			M12A-10BFFM-SR8AXX	8P	5.5	24	M12A-08BFFM-SR8AXX	6P	5.0	M12A-06BFFM-SR8AXX	5P	5.1	22	M12A-05BFFM-SR8AXX	4P	4.8	M12A-04BFFM-SR8AXX	3P	4.5	M12A-03BFFM-SR8AXX	Contacts		Cable OD	AWG	Item No.
12P	6.0	26	M12A-12BFFM-SR8AXX																																			
10P			M12A-10BFFM-SR8AXX																																			
8P	5.5	24	M12A-08BFFM-SR8AXX																																			
6P	5.0		M12A-06BFFM-SR8AXX																																			
5P	5.1	22	M12A-05BFFM-SR8AXX																																			
4P	4.8		M12A-04BFFM-SR8AXX																																			
3P	4.5		M12A-03BFFM-SR8AXX																																			
Contacts		Cable OD	AWG	Item No.																																		

Pin Out	Wire	Wire	Wire	Wire	Wire	Wire	Wire	
5	--	--	5	Gray	灰	8	--	
4	Black	黑	4	Black	黑	7	Blue	藍
3	Blue	藍	3	Blue	藍	6	Pink	粉
2	--	--	2	White	白	5	--	--
1	Brown	棕	1	Brown	棕	4	Yellow	黃
						3	Green	綠
						2	Brown	棕
						1	White	白

Pin Assignments Front View

UNIT:mm		TITLE N SEN, M12 A, SCREW CABLE W/O SR, F, F, MOLDING		<h1 style="margin: 0;">Amphenol LTW</h1> <h2 style="margin: 0;">安費諾亮泰企業股份有限公司</h2>	ITEM NO	DRAWN BY	DATE
TOLERANCE	±0.5mm	SCALE 3:2	SIZE A4	SHEET 2 OF 2	DWG NO	CHECKED BY	DATE
		REV. G	WC-REV. A.2	☉: Inspection item	M12A-XXBFFM-SR8AXX	Ma Fei	2017-04-06
					CUSTOMER	APPROVED BY	DATE
					ALTW	Jerry	2017-04-06