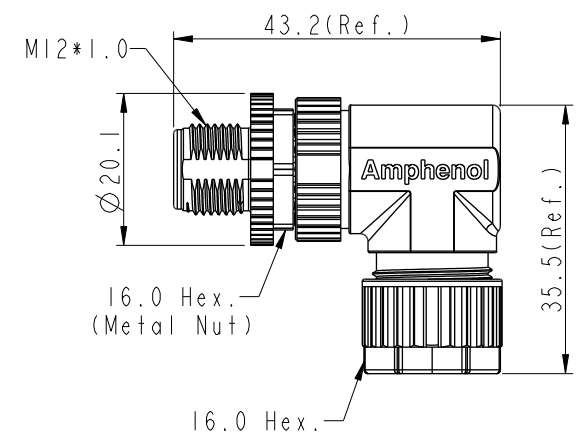
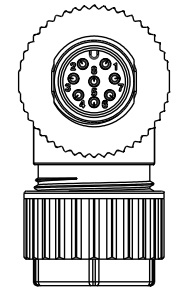
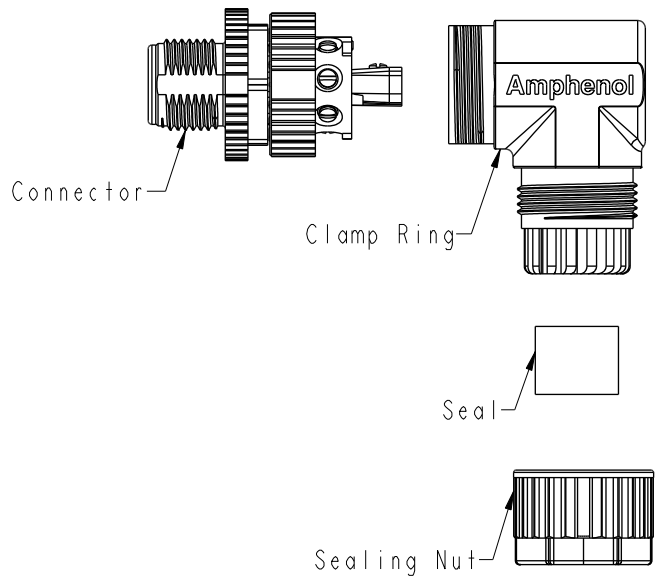


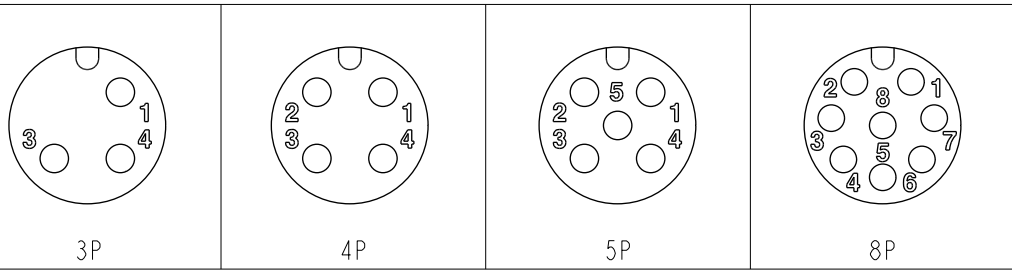
THIS DOCUMENT IS SUBJECT TO CHANGE WITHOUT NOTICE. IT IS CONFIDENTIAL AND A PROPERTY OF Amphenol LTW. DISCLOSURE TO THIRD PARTY HAS TO BE AUTHORIZED BY Amphenol LTW.

REV.	ECN NO.	DATE	SIGN	DESCRIPTION
B	LEN1790120~23	2017/08/31	Frank Deng	Update Note
C	C210561	2021/04/09	Vicky	$\triangle C$ X4
D	C221877	2022/12/09	Ruru	$\triangle D$ X2

$\triangle C$ M12A-XXBMMB-SR7001
 $\triangle D$
 XX: No. Of Pin



- $\triangle B$ $\triangle C$
 Note:
- * RoHS Compliant
 - * \odot Important Dimension
 - $\triangle D$ * Waterproof rate: IP67, mated Connector
 - Housing: Thermoplastic, Black
 - Pin: Copper alloy, Gold plated
 - Extension Nut: Thermoplastic, Black
 - Nut: Metal
 - O-Ring: Rubber, Gray
 - * Clamp Ring: Thermoplastic, Black
 - * Sealing Nut: Thermoplastic, Black
 - * Seal: Rubber, Gray, OD: $\phi 4.0\text{mm} \sim \phi 7.0\text{mm}$
 - * One set unassembled in one pe bag



Pin Assignments Front View

UNIT: mm	\odot	∇	TITLE N SEN, M12 A, SCREW CABLE W/O SR, M, M, FI SCREW IN	$\triangle C$
TOLERANCE .X ± 0.25 .XX ± 0.1 .XXX ± 0.05 ANGLES $\pm 1^\circ$	$\triangle C$	SCALE 1:1	SIZE A4	SHEET 1 OF 1
		REV. D	WC-REV. A.2	\odot : Inspection item

Amphenol LTW
 安費諾亮泰企業股份有限公司

ITEM NO.	DRAWN BY Frank Deng	DATE 2017-08-31
DWG NO. M12A-XXBMMB-SR7001	CHECKED BY Fisher Wang	DATE 2017-08-31
CUSTOMER ALTW	APPROVED BY Kevin Hu	DATE 2017-08-31