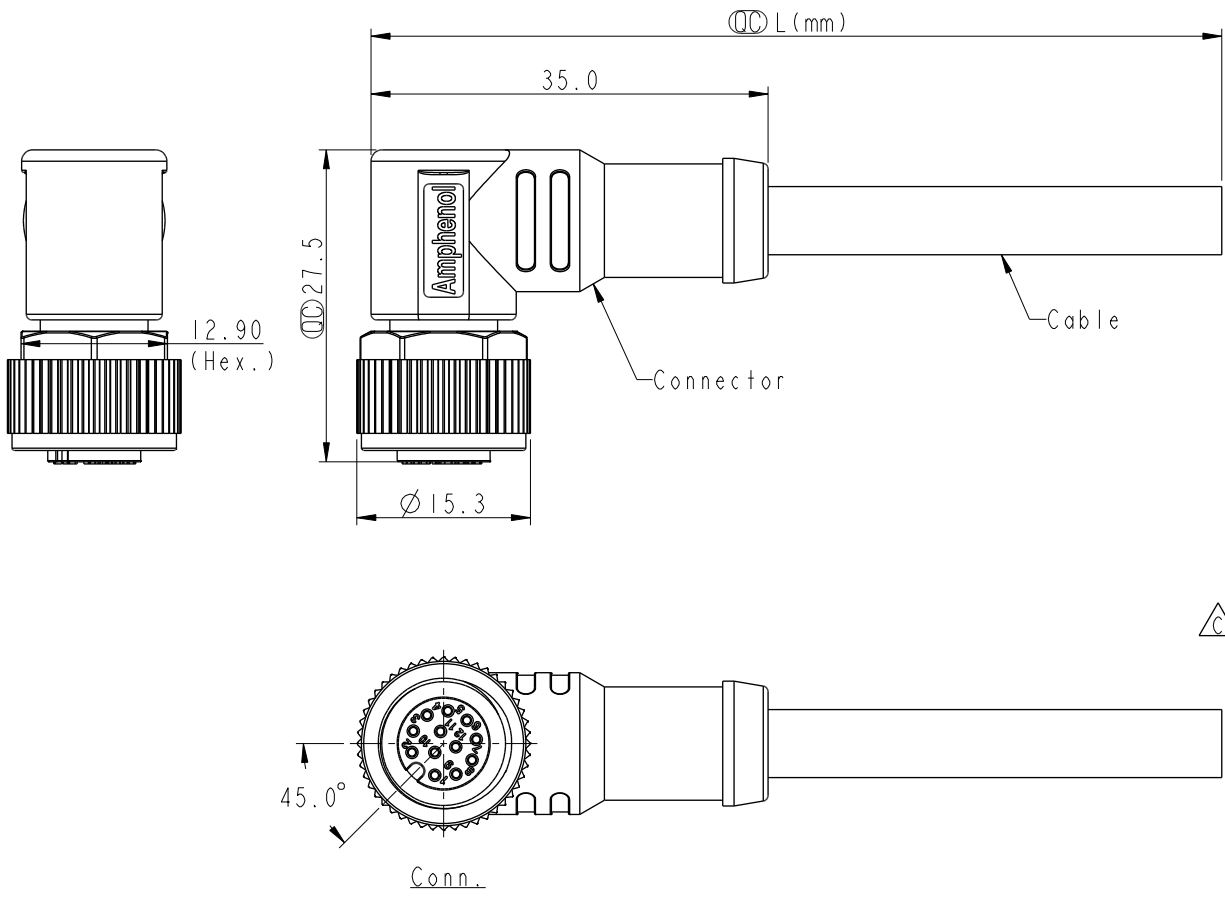


THIS DOCUMENT IS SUBJECT TO CHANGE WITHOUT NOTICE. IT IS CONFIDENTIAL AND A PROPERTY OF Amphenol LTW. DISCLOSURE TO THIRD PARTY HAS TO BE AUTHORIZED BY Amphenol LTW.

REV.	ECN NO.	DATE	SIGN	DESCRIPTION
E	C201596	2020/10/16	Ruru	△E X5
F	C210220	2021/03/02	Vicky	△F X4
G	C221891	2022/12/16	Vicky	△G X1



- △E △F
Note:
- * RoHS Compliant
 - * ∅ Important dimension
 - △C △G * Waterproof rate: IP68, mated 1m/24h
IP69K, mated
 - * Connector
 - Housing: Thermoplastic, Black
 - Pin: Copper alloy, Gold plated
 - O-Ring: Rubber, Green
 - Nut: Metal
 - * Outer mold: Thermoplastic, Black
 - * Cable: UL20549, PUR Jacket, Black
 - * Cable length tolerance: 1M: +50/-0 mm
 - 1M < L ≤ 3M: +100/-0 mm
 - 3M < L ≤ 5M: +150/-0 mm
 - 5M < L ≤ 10M: ±100 mm
 - 10M < L ≤ 20M: ±200 mm
 - 20M < L ≤ 30M: ±300 mm
 - 30M < L ≤ 99M: ±500 mm

UNIT: mm		TITLE	△E
TOLERANCE	±0.5mm	N SEN, M12 A, SCREW CABLE W/O SR, F, F, MOLDING	
SCALE	3:2	SIZE	A4
REV.	G	SHEET	1 OF 2
WC-REV.	A.2	∅	Inspection item

Amphenol LTW
安費諾亮泰企業股份有限公司

ITEM NO	DRAWN BY	DATE
	Lingpeng	2017-04-06
DWG NO	CHECKED BY	DATE
△E M12A-XXBFFM-SR8BXX	Ma Fei	2017-04-06
CUSTOMER	APPROVED BY	DATE
ALTW	Jerry	2017-04-06

