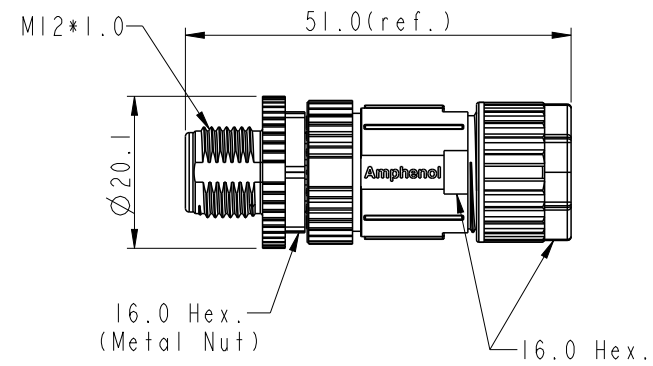
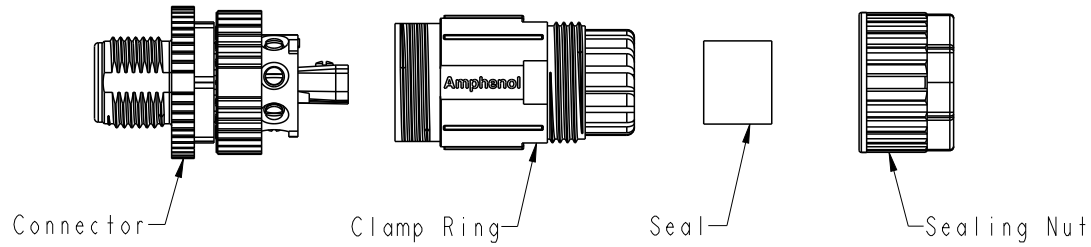


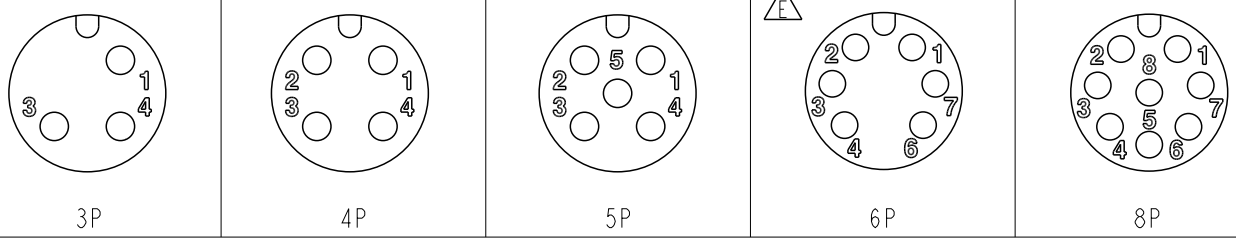
THIS DOCUMENT IS SUBJECT TO CHANGE WITHOUT NOTICE. IT IS CONFIDENTIAL AND A PROPERTY OF AMPHENOL LTW. DISCLOSURE TO THIRD PARTY HAS TO BE AUTHORIZED BY AMPHENOL LTW.

REV.	ECN NO.	DATE	SIGN	DESCRIPTION
C	C210561	2021/04/09	Vicky	△C X4
D	C221877	2022/12/09	Ruru	△D XI
E	C240900	2024/07/30	Yunchen	△E XI



△ MI2A-XXBMMB-SL7001
 XX: No. Of Pin

- Note:
- * RoHS Compliant
 - * Ⓞ Important Dimension
 - △ * Waterproof rate: IP67, mated
 - * Connector
 - Housing: Thermoplastic, Black
 - Pin: Copper alloy, Gold plated
 - Extension Nut: Thermoplastic, Black
 - Nut: Metal
 - O-Ring: Rubber, Gray
 - * Clamp Ring: Thermoplastic, Black
 - * Sealing Nut: Thermoplastic, Black
 - * Seal: Rubber, Gray, OD:Ø4.0mm~Ø8.0mm
 - * One set unassembled in one pe bag



Pin Assignments Front View

UNIT: mm TOLERANCE .X ±0.25 .XX ±0.1 .XXX ±0.05 ANGLES ±1°		TITLE N SEN, M12 A, SCREW CABLE W/O SR, M, M, FI SCREW IN		Amphenol LTW 安費諾亮泰企業股份有限公司	ITEM NO. M12A-XXBMMB-SL7001	DRAWN BY Yunchen	DATE 2024/07/30	
		SCALE 1:1	SIZE A4		SHEET 1 OF 1	DWG NO. M12A-XXBMMB-SL7001	CHECKED BY Aric	DATE 2024/07/30
		REV. E	WC-REV. A.4		Ⓞ: Inspection item	CUSTOMER ALTW	APPROVED BY Fred	DATE 2024/07/30