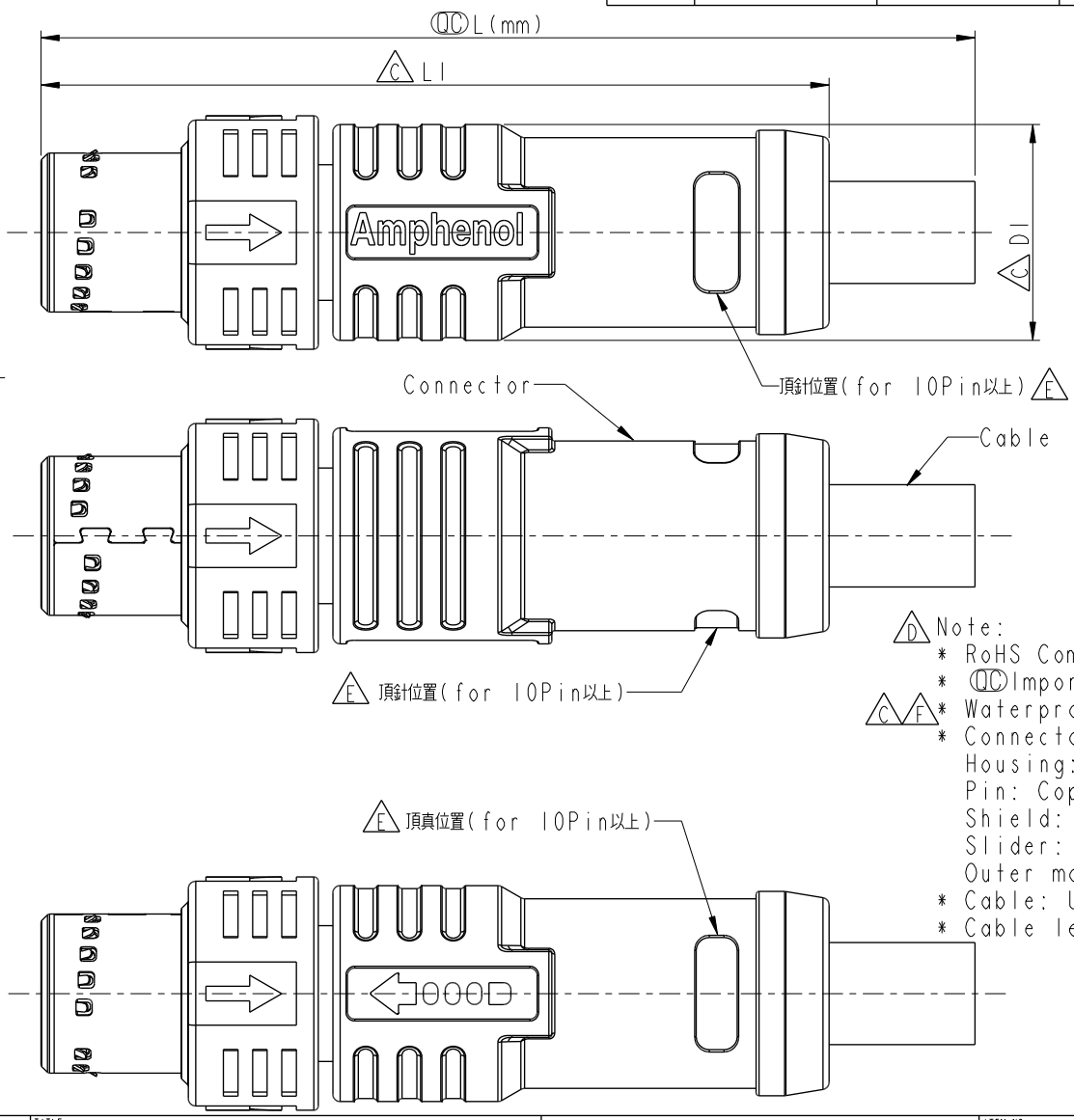
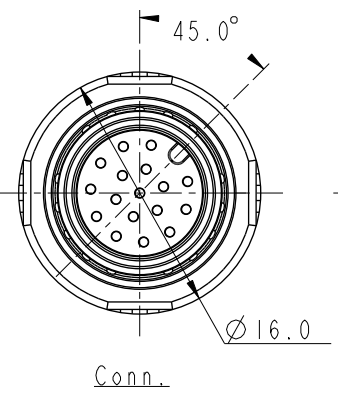


THIS DOCUMENT IS SUBJECT TO CHANGE WITHOUT NOTICE. IT IS CONFIDENTIAL AND A PROPERTY OF Amphenol LTW. DISCLOSURE TO THIRD PARTY HAS TO BE AUTHORIZED BY Amphenol LTW.

REV.	ECN NO.	DATE	SIGN	DESCRIPTION
D	C210429, 487	2021/03/29	Vicky	$\triangle D$ X4
E	C210939	2021/06/04	Cynthia	$\triangle E$ X3
F	C221995	2022/12/26	Vicky	$\triangle F$ X1



- $\triangle D$ Note:
- * RoHS Compliant
 - * ① Important dimension
 - * $\triangle C$ $\triangle F$ Waterproof rate: IP68, mated 1m/24h
 - * Connector
 - Housing: Thermoplastic, Black
 - Pin: Copper alloy, Gold plated
 - Shield: Metal
 - Slider: Thermoplastic, Black
 - Outer mold: Thermoplastic, Black
 - * Cable: UL20549, PUR Jacket, Black
 - * Cable length tolerance: 1M: +50/-0 mm
 - 1M < L ≤ 3M: +100/-0 mm
 - 3M < L ≤ 5M: +150/-0 mm
 - 5M < L ≤ 10M: ±100 mm
 - 10M < L ≤ 20M: ±200 mm
 - 20M < L ≤ 30M: ±300 mm
 - 30M < L ≤ 99M: ±500 mm

UNIT: mm	⌀	⌢	TITLE N SEN, M12 A, PUSH PULL CABLE W/O SR, M, M, MOLDING $\triangle D$
TOLERANCE ±0.5mm	SCALE 2:1	SIZE A4	SHEET 1 OF 2
REV. F	WC-REV.	Ⓞ : Inspection item	

Amphenol LTW
安費諾亮泰企業股份有限公司

ITEM NO.	DRAWN BY Sam Ho	DATE 2020-09-10
DWG NO. M12A-XXBMMM-PL8BXX	CHECKED BY Fred Lee	DATE 2020-09-10
CUSTOMER ALTW	APPROVED BY Fred Lee	DATE 2020-09-10

THIS DOCUMENT IS SUBJECT TO CHANGE WITHOUT NOTICE. IT IS CONFIDENTIAL AND A PROPERTY OF AMPHENOL LTW. DISCLOSURE TO THIRD PARTY HAS TO BE AUTHORIZED BY AMPHENOL LTW.

F	<p>M12A-XXBMMM-PL8BXX</p> <p>XX: No. Of Pin</p> <p>XX: 01~99Meters 01: 01Meter 02: 02Meters . 99: 99Meters</p>					17P	7.0	26	M12A-17BMMM-PL8BXX	54.0	14.8	
						12P	6.0		M12A-12BMMM-PL8BXX			
						10P			M12A-10BMMM-PL8BXX			
						8P	4.8	24	M12A-08BMMM-PL8BXX	50.0	12.8	
						6P	5.0		M12A-06BMMM-PL8BXX			
						5P	4.4		M12A-05BMMM-PL8BXX			
						4P	4.0	22	M12A-04BMMM-PL8BXX			
						3P	3.8		M12A-03BMMM-PL8BXX			
						△D	Contacts	△B Cable OD	AWG	Item No.	△C LI	△C DI

C	Pin Out	5 --	5 --	5 Gray 灰	5 --	5 Red 紅	12 --	12 Red/Blue 紅/藍	17 White/Gray 白/灰
		4 Black 黑	4 Black 黑	4 Black 黑	4 Yellow 黃	8 Red 紅	11 Gray/Pink 灰/粉	16 Yellow/Brown 黃/棕	16 Yellow/Brown 黃/棕
		3 Blue 藍	3 Blue 藍	3 Blue 藍	3 Green 綠	7 Blue 藍	10 Violet 紫	15 White/Yellow 白/黃	15 White/Yellow 白/黃
		2 --	2 White 白	2 White 白	2 Brown 棕	6 Pink 粉	9 Black 黑	14 Brown/Green 棕/綠	14 Brown/Green 棕/綠
		1 Brown 棕	1 Brown 棕	1 Brown 棕	1 White 白	5 Gray 灰	8 Red 紅	13 White/Green 白/綠	13 White/Green 白/綠
						4 Yellow 黃	7 Blue 藍	12 Red/Blue 紅/藍	12 Red/Blue 紅/藍
						3 Green 綠	6 Pink 粉	11 Gray/Pink 灰/粉	11 Gray/Pink 灰/粉
						2 Brown 棕	5 Gray 灰	10 Violet 紫	10 Violet 紫
						1 White 白	4 Yellow 黃	9 Red 紅	9 Red 紅
							3 Green 綠	8 Gray 灰	8 Gray 灰
							2 Brown 棕	7 Black 黑	7 Black 黑
							1 White 白	6 Yellow 黃	6 Yellow 黃
								5 Pink 粉	5 Pink 粉
								4 Green 綠	4 Green 綠
								3 White 白	3 White 白
								2 Blue 藍	2 Blue 藍
								1 Brown 棕	1 Brown 棕

Pin Assignments Front View

A	UNIT:mm		TITLE	<h1>Amphenol LTW</h1> <p>安費諾亮泰企業股份有限公司</p>	ITEM NO	DRAWN BY	DATE	
	TOLERANCE	±0.5mm	N SEN, M12 A, PUSH PULL CABLE W/O SR, M, M, MOLDING		DWG NO	Sam Ho	2020-09-10	
	SCALE	2:1	SIZE A4		M12A-XXBMMM-PL8BXX	CHECKED BY	Fred Lee	2020-09-10
	REV.	F	WC-REV.		ALTW	APPROVED BY	Fred Lee	2020-09-10
			SHEET 2 OF 3	CUSTOMER				
			◎◎: Inspection item					