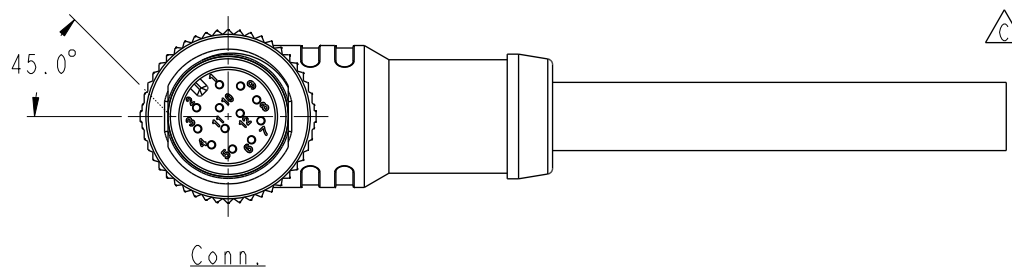
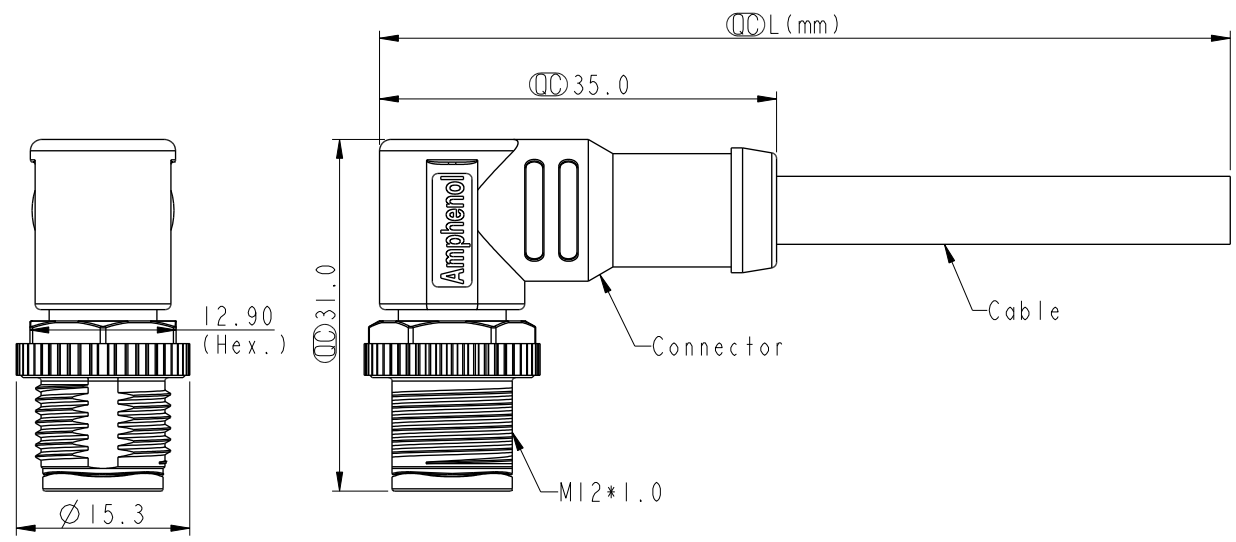


THIS DOCUMENT IS SUBJECT TO CHANGE WITHOUT NOTICE. IT IS CONFIDENTIAL AND A PROPERTY OF Amphenol LTW. DISCLOSURE TO THIRD PARTY HAS TO BE AUTHORIZED BY Amphenol LTW.

REV.	ECN NO.	DATE	SIGN	DESCRIPTION
F	C210020	2021/01/07	Vicky	△F XI
G	C210221	2021/03/18	Vicky	△G X4
H	C221993	2022/12/26	Vicky	△H XI



Note:
 * RoHS Compliant
 * \varnothing Important dimension
 * $\triangle C/\triangle H$ Waterproof rate: IP68, mated 1m/24h
 IP69K, mated

- * Connector
- Housing: Thermoplastic, Black
- Pin: Copper alloy, Gold plated
- △F Nut: Metal
- Outer mold: Thermoplastic, Black
- * Cable: UL2517, PVC Jacket, Yellow
- * Cable length tolerance: 1M: +50/-0 mm
- 1M < L ≤ 3M: +100/-0 mm
- 3M < L ≤ 5M: +150/-0 mm
- 5M < L ≤ 10M: ±100 mm
- 10M < L ≤ 20M: ±200 mm
- 20M < L ≤ 30M: ±300 mm
- 30M < L ≤ 99M: ±500 mm

UNIT: mm		TITLE
TOLERANCE	$\pm 0.5\text{mm}$	N SEN, M12 A, SCREW CABLE W/O SR, M, M, MOLDING
SCALE	3:2	SIZE A4
REV.	H	SHEET 1 OF 2
WC-REV.	A.1	\varnothing : Inspection item

Amphenol LTW
 安費諾亮泰企業股份有限公司

ITEM NO.	DRAWN BY	DATE
	Lingpeng	2017-04-06
DWG NO.	CHECKED BY	DATE
△E M12A-XXBMMM-SR8AXX	Ma Fei	2017-04-06
CUSTOMER	APPROVED BY	DATE
ALTW	Jerry	2017-04-06

