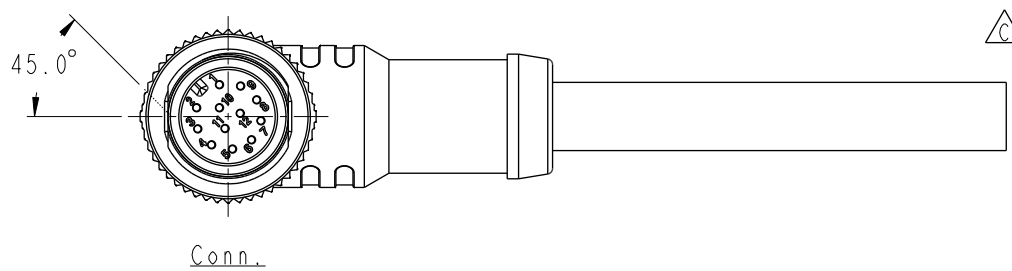
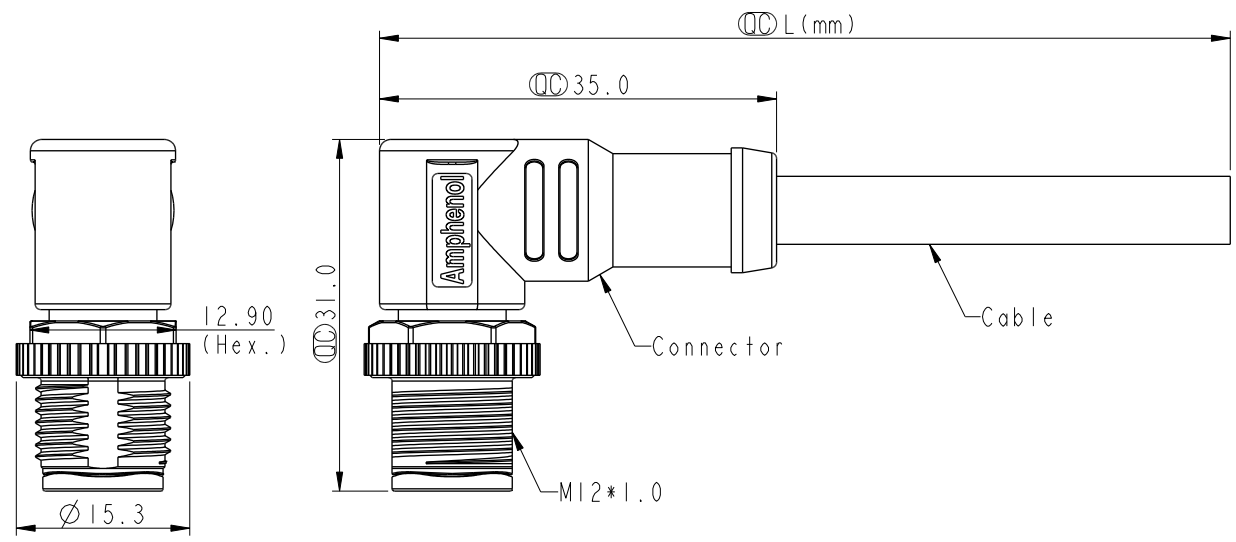


THIS DOCUMENT IS SUBJECT TO CHANGE WITHOUT NOTICE. IT IS CONFIDENTIAL AND A PROPERTY OF Amphenol LTW. DISCLOSURE TO THIRD PARTY HAS TO BE AUTHORIZED BY Amphenol LTW.

REV.	ECN NO.	DATE	SIGN	DESCRIPTION
F	C210020	2021/01/07	Vicky	△F XI
G	C210221	2021/03/18	Vicky	△G X4
H	C221993	2022/12/26	Vicky	△H XI



△E△G Note:
 * RoHS Compliant
 * ∅ Important dimension
 △C△H * Waterproof rate: IP68, mated 1m/24h
 IP69K, mated

- * Connector
- Housing: Thermoplastic, Black
- Pin: Copper alloy, Gold plated
- △F Nut: Metal
- Outer mold: Thermoplastic, Black
- * Cable: UL2517, PVC Jacket, Black
- * Cable length tolerance: 1M: +50/-0 mm
- 1M < L ≤ 3M: +100/-0 mm
- 3M < L ≤ 5M: +150/-0 mm
- 5M < L ≤ 10M: ±100 mm
- 10M < L ≤ 20M: ±200 mm
- 20M < L ≤ 30M: ±300 mm
- 30M < L ≤ 99M: ±500 mm

UNIT: mm
 TOLERANCE
 ±0.5mm

TITLE N SEN, M12 A, SCREW CABLE W/O SR, M, M, MOLDING			△G
SCALE 3:2	SIZE A4	SHEET 1 OF 2	
REV. H	WC-REV. A.1	∅ Inspection item	

Amphenol LTW
 安費諾亮泰企業股份有限公司

ITEM NO.	DRAWN BY Lingpeng	DATE 2017-04-06
DWG NO. △E M12A-XXBMMM-SR8DXX	CHECKED BY Ma Fei	DATE 2017-04-06
CUSTOMER ALTW	APPROVED BY Jerry	DATE 2017-04-06

THIS DOCUMENT IS SUBJECT TO CHANGE WITHOUT NOTICE. IT IS CONFIDENTIAL AND A PROPERTY OF Amphenol LTW. DISCLOSURE TO THIRD PARTY HAS TO BE AUTHORIZED BY Amphenol LTW.

E	M12A-XXBMMM-SR8DXX XX: No. Of Pin						<table border="1" style="margin: 0 auto;"> <tr><td>12P</td><td rowspan="2">6.0</td><td rowspan="2">26</td><td>M12A-12BMMM-SR8DXX</td></tr> <tr><td>10P</td><td>M12A-10BMMM-SR8DXX</td></tr> <tr><td>8P</td><td>5.5</td><td rowspan="2">24</td><td>M12A-08BMMM-SR8DXX</td></tr> <tr><td>6P</td><td>5.0</td><td>M12A-06BMMM-SR8DXX</td></tr> <tr><td>5P</td><td>5.1</td><td rowspan="2">22</td><td>M12A-05BMMM-SR8DXX</td></tr> <tr><td>4P</td><td>4.8</td><td>M12A-04BMMM-SR8DXX</td></tr> <tr><td>3P</td><td>4.5</td><td>M12A-03BMMM-SR8DXX</td></tr> <tr><td>Contacts</td><td>Cable OD</td><td>AWG</td><td>Item No.</td></tr> </table>		12P	6.0	26	M12A-12BMMM-SR8DXX	10P	M12A-10BMMM-SR8DXX	8P	5.5	24	M12A-08BMMM-SR8DXX	6P	5.0	M12A-06BMMM-SR8DXX	5P	5.1	22	M12A-05BMMM-SR8DXX	4P	4.8	M12A-04BMMM-SR8DXX	3P	4.5	M12A-03BMMM-SR8DXX	Contacts	Cable OD	AWG	Item No.
12P	6.0	26	M12A-12BMMM-SR8DXX																																
10P			M12A-10BMMM-SR8DXX																																
8P	5.5	24	M12A-08BMMM-SR8DXX																																
6P	5.0		M12A-06BMMM-SR8DXX																																
5P	5.1	22	M12A-05BMMM-SR8DXX																																
4P	4.8		M12A-04BMMM-SR8DXX																																
3P	4.5	M12A-03BMMM-SR8DXX																																	
Contacts	Cable OD	AWG	Item No.																																
E	XX: 01~99Meters 01: 01Meter 02: 02Meters : 99: 99Meters																																		

C	Pin Out		Pin #		Wire		Pin #		Wire							
	5	--	5	--	5	Gray	灰	5	--	5	Red	紅				
	4	Black	黑	4	Black	黑	4	Black	黑	4	Blue	藍				
	3	Blue	藍	3	Blue	藍	3	Blue	藍	3	Pink	粉				
	2	--		2	White	白	2	White	白	2	Yellow	黃				
	1	Brown	棕	1	Brown	棕	1	Brown	棕	1	Green	綠				
											2	Brown	棕			
											1	White	白			
											12	--	12	Red/Blue	紅/藍	
											11	--	11	Gray/Pink	灰/粉	
											10	Violet	紫	10	Violet	紫
											9	Black	黑	9	Black	黑
											8	Red	紅	8	Red	紅
											8	Blue	藍	7	Blue	藍
											7	Blue	藍	6	Pink	粉
											6	Pink	粉	5	Gray	灰
											5	Gray	灰	4	Yellow	黃
											4	Yellow	黃	3	Green	綠
											3	Green	綠	2	Brown	棕
											2	Brown	棕	1	White	白
											1	White	白			

Pin Assignments Front View

UNIT:mm		TITLE	N SEN, M12 A, SCREW CABLE W/O SR, M, M, MOLDING			ITEM NO	DRAWN BY	DATE
TOLERANCE	±0.5mm	SCALE	3:2	SIZE	A4	SHEET	2 OF 2	
		REV.	H	WC-REV.	A.1			
						Amphenol LTW 安費諾亮泰企業股份有限公司		
						DWG NO M12A-XXBMMM-SR8DXX CUSTOMER ALTW	CHECKED BY Ma Fei APPROVED BY Jerry	DATE 2017-04-06 DATE 2017-04-06 DATE 2017-04-06