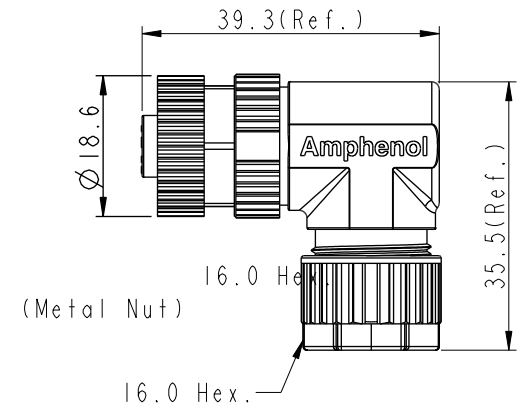
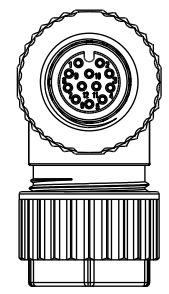
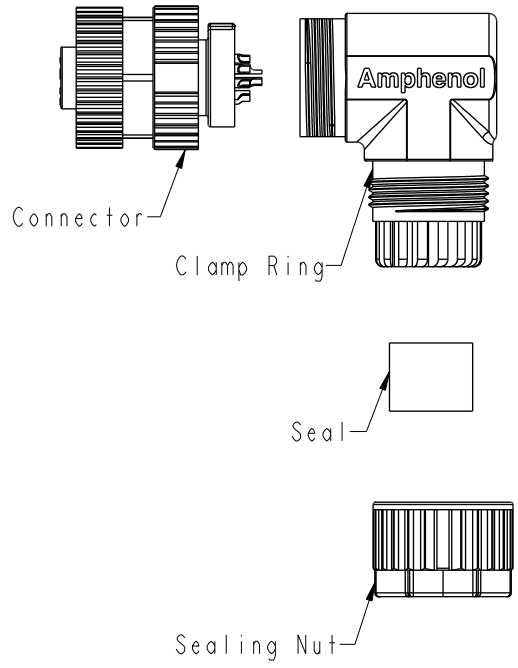


THIS DOCUMENT IS SUBJECT TO CHANGE WITHOUT NOTICE. IT IS CONFIDENTIAL AND A PROPERTY OF Amphenol LTW. DISCLOSURE TO THIRD PARTY HAS TO BE AUTHORIZED BY Amphenol LTW.

REV.	ECN NO.	DATE	SIGN	DESCRIPTION
E	C210007	2020/12/29	Ruru	$\triangle E$ X3
F	C210561	2021/04/09	Vicky	$\triangle F$ X2
G	C221877	2022/12/09	Ruru	$\triangle G$ X1



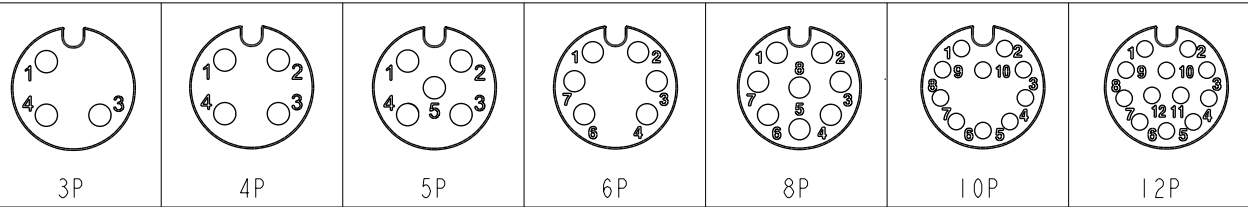
$\triangle D \triangle E$
M12A-XXBFFA-SR7001

XX: No. Of Pin

$\triangle C \triangle F$

Note:

- * RoHS Compliant
- * ⌀ Important Dimension
- $\triangle G$ * Waterproof rate: IP67, mated Connector
- * Housing: Thermoplastic, Black
- * Pin: Copper alloy, Gold plated
- * Extension Nut: Thermoplastic, Black
- $\triangle E$ * Nut: Metal
- * O-Ring: Rubber, Gray
- * Clamp Ring: Thermoplastic, Black
- * Sealing Nut: Thermoplastic, Black
- $\triangle B$ * Seal: Rubber, Gray, OD: $\text{⌀}4.0\text{mm} \sim \text{⌀}7.0\text{mm}$
- * One set unassembled in one pe bag



Pin Assignments Front View

UNIT: mm	⌀	⌀	TITLE N SEN, M12 A, SCREW CABLE W/O SR, F, F, FI SOLDER	$\triangle E \triangle F$
TOLERANCE .X ± 0.25 .XX ± 0.1 .XXX ± 0.05 ANGLES $\pm 1^\circ$			SCALE 1:1	SIZE A4
			REV. G	WC-REV. .0
				⌀ : Inspection item

Amphenol LTW
安費諾亮泰企業股份有限公司

ITEM NO	DRAWN BY JC Chen	DATE 2020-03-13
DWG NO M12A-XXBFFA-SR7001	CHECKED BY Li Feng	DATE 2020-03-13
CUSTOMER ALTW	APPROVED BY Jerry	DATE 2020-03-13