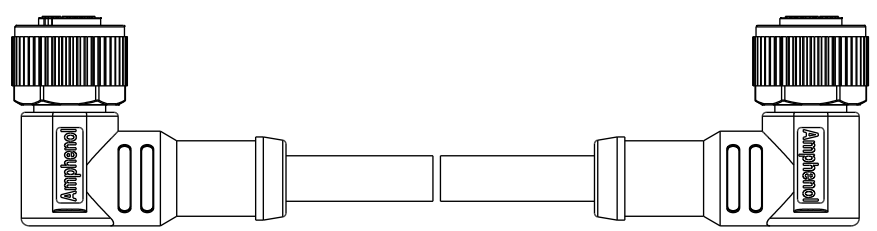
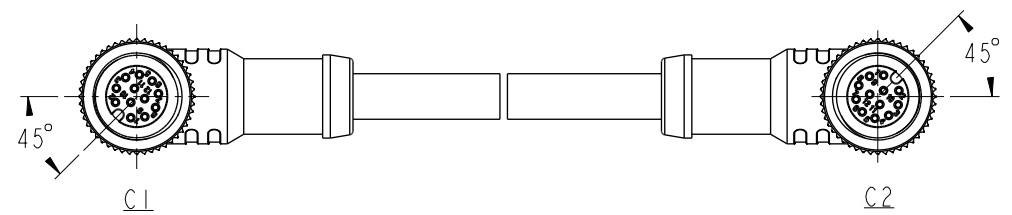
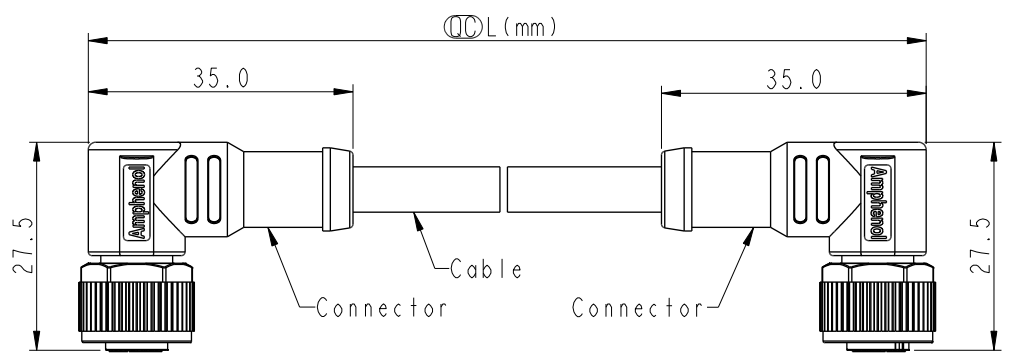


THIS DOCUMENT IS SUBJECT TO CHANGE WITHOUT NOTICE. IT IS CONFIDENTIAL AND A PROPERTY OF Amphenol LTW. DISCLOSURE TO THIRD PARTY HAS TO BE AUTHORIZED BY Amphenol LTW.

REV.	ECN NO.	DATE	SIGN	DESCRIPTION
C	C210021	2021/01/07	Vicky	$\triangle C$ XI
D	C210227	2021/03/30	Vicky	$\triangle D$ X4
E	C221996	2022/12/27	Vicky	$\triangle E$ XI



- $\triangle B \triangle D$   
Note:
- \* RoHS Compliant
  - \*  $\circledast$  Important dimension
  - $\triangle E$  \* Waterproof rate: IP68, mated 1m/24h  
IP69K, mated
  - \* Connector  
Housing: Thermoplastic, Black  
Pin: Copper alloy, Gold plated  
O-Ring: Rubber, Green
  - $\triangle C$  Nut: Metal  
Outer Mold: Thermoplastic, Black
  - \* Cable: UL2517, PVC Jacket, Black
  - \* Cable Length Tolerance:
 

0.5M < L $\leq$ 1M	: +60/-0 mm
1M < L $\leq$ 3M	: +120/-0 mm
3M < L $\leq$ 5M	: +160/-0 mm
5M < L $\leq$ 10M	: $\pm 100$ mm
10M < L $\leq$ 20M	: $\pm 200$ mm
20M < L $\leq$ 30M	: $\pm 300$ mm
30M < L $\leq$ 99M	: $\pm 500$ mm

UNIT: mm

TOLERANCE

$\pm 0.5$ mm

TITLE ACC, SEN, A Code, DB-ENDED $\triangle D$		
SCALE 1:1	SIZE A4	SHEET 1 OF 2
REV. E	WC-REV.	$\circledast$ : Inspection item

**Amphenol LTW**  
安費諾亮泰企業股份有限公司

ITEM NO.	DRAWN BY Ruru	DATE 2018-12-05
DWG NO. $\triangle B$ M12AXXFR-12AFR-SDXXX	CHECKED BY Rita	DATE 2018-12-05
CUSTOMER ALTW	APPROVED BY Max	DATE 2018-12-05

