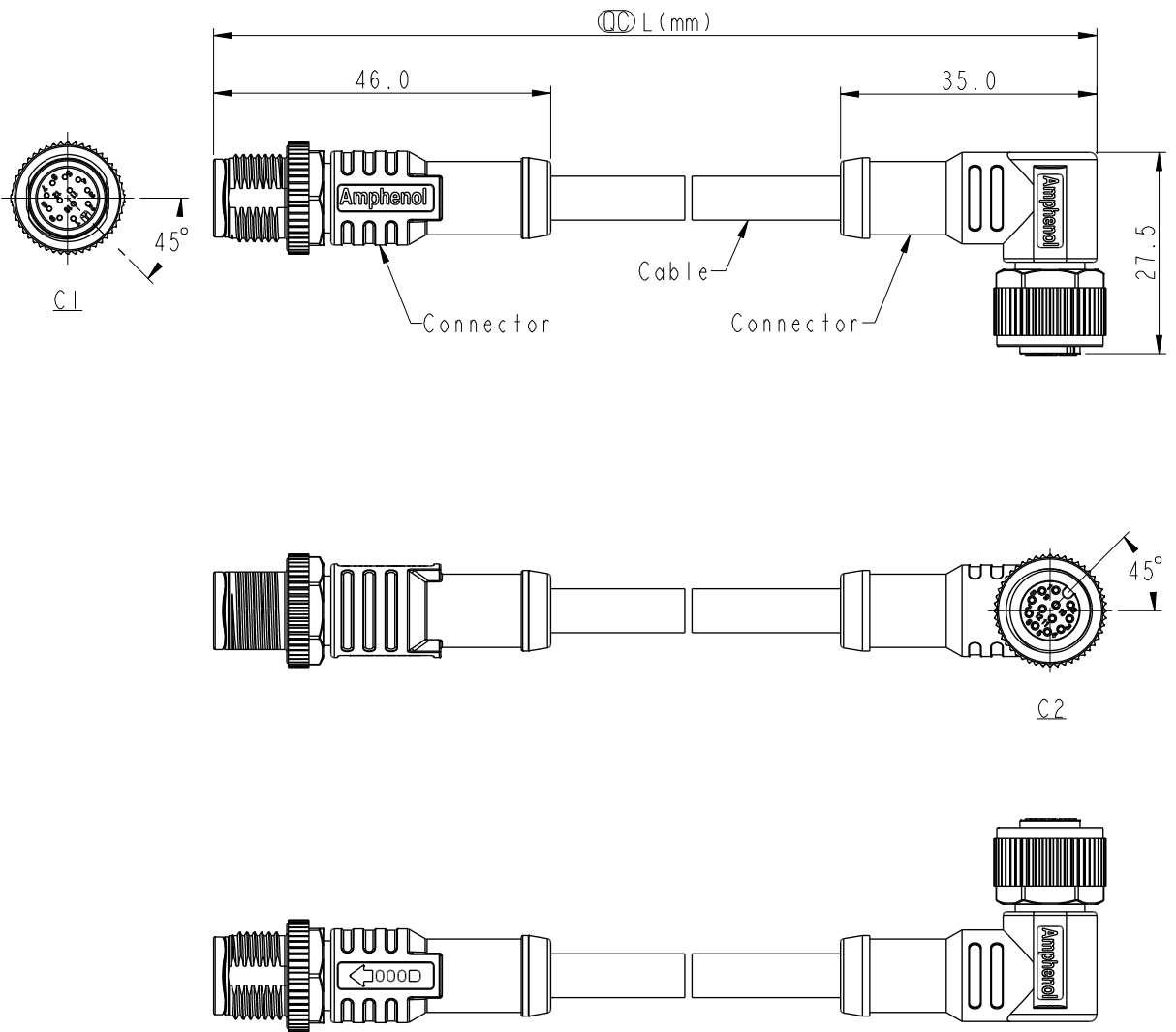


THIS DOCUMENT IS SUBJECT TO CHANGE WITHOUT NOTICE. IT IS CONFIDENTIAL AND A PROPERTY OF Amphenol LTW. DISCLOSURE TO THIRD PARTY HAS TO BE AUTHORIZED BY Amphenol LTW.

REV.	ECN NO.	DATE	SIGN	DESCRIPTION
C	C210021	2021/01/07	Vicky	$\triangle C$ X2
D	C210227	2021/03/30	Vicky	$\triangle D$ X4
E	C222003	2022/12/27	Vicky	$\triangle E$ X2



$\triangle B$ $\triangle D$

Note:

- * RoHS Compliant
- * $\text{\textcircled{C}}$ Important dimension
- * C1

$\triangle E$ Waterproof rate: IP68, mated 1m/24h
IP69K, mated
Housing: Thermoplastic, Black
Pin: Copper alloy, Gold plated

$\triangle C$ Nut: Metal
Outer Mold: Thermoplastic, Black

* C2
 $\triangle E$ Waterproof rate: IP68, mated 1m/24h
IP69K, mated

Housing: Thermoplastic, Black
Pin: Copper alloy, Gold plated
O-Ring: Rubber, Green

$\triangle C$ Nut: Metal
Outer Mold: Thermoplastic, Black

* Cable: UL2517, PVC Jacket, Black

* Cable Length Tolerance:

0.5M < L ≤ 1M:	+60/-0 mm
1M < L ≤ 3M:	+120/-0 mm
3M < L ≤ 5M:	+160/-0 mm
5M < L ≤ 10M:	±100 mm
10M < L ≤ 20M:	±200 mm
20M < L ≤ 30M:	±300 mm
30M < L ≤ 99M:	±500 mm

UNIT: mm	$\text{\textcircled{C}}$	$\text{\textcircled{D}}$	TITLE	$\triangle D$
TOLERANCE	ACC, SEN, A Code, DB-ENDED MF			
±0.5mm	SCALE	SIZE	SHEET	OF
	1:2	A4	1	2
	REV.	WC-REV.	$\text{\textcircled{C}}$: Inspection item	
	E	A.1		

Amphenol LTW
安費諾亮泰企業股份有限公司

ITEM NO	DRAWN BY	DATE
	Vicky	2018-12-05
DWG NO	CHECKED BY	DATE
$\triangle B$ M12AXXML-12AFR-SDXXX	Rita	2018-12-05
CUSTOMER	APPROVED BY	DATE
ALTW	Max	2018-12-05

F	M12AXXML-12AFR-SDXXX	△ B	XX: No. Of Pin	XXX: 0.5~99Meters	A05: 0.5 Meter	1: 01 Meter	2: 02 Meters	:	99: 99 Meters

12P	6.0	26	M12A12ML-12AFR-SDXXX	
10P			M12A10ML-12AFR-SDXXX	
8P	5.5	24	M12A08ML-12AFR-SDXXX	
6P			M12A06ML-12AFR-SDXXX	
5P	5.1	22	M12A05ML-12AFR-SDXXX	
4P			M12A04ML-12AFR-SDXXX	
3P			M12A03ML-12AFR-SDXXX	
△ D	Contacts	Cable OD	AWG	Item No.

D	Pin Out	5 --	5 --	5 Gray 灰黑	8 --	8 Red 紅	12 --	12 Red/Blue 紅/藍
		4 Black 黑	4 Black 黑	4 Black 黑	7 Blue 藍粉	7 Blue 藍	11 --	11 Gray/Pink 灰/粉
		3 Blue 藍	3 Blue 藍	3 Blue 藍	6 Pink 粉	6 Pink 粉	10 Violet 紫黑	10 Violet 紫黑
		2 --	2 White 藍白	2 White 藍白	5 --	5 Gray 灰	9 Black 紫黑	9 Black 紫黑
		1 Brown 棕	1 Brown 棕	1 Brown 棕	4 Yellow 黃綠	4 Yellow 黃	8 Red 紅	8 Red 紅
					3 Green 綠	3 Green 綠	7 Blue 藍	7 Blue 藍
					2 Brown 棕	2 Brown 棕	6 Pink 粉	6 Pink 粉
					1 White 白	1 White 白	5 Gray 灰	5 Gray 灰
					4 Yellow 黃	4 Yellow 黃		
					3 Green 綠	3 Green 綠		
					2 Brown 棕	2 Brown 棕		
					1 White 白	1 White 白		
							1 White 白	

Pin Assignments Front View

A	UNIT:mm		TITLE ACC, SEN, A Code, DB-ENDED MF	Amphenol LTW	ITEM NO.	DRAWN BY	DATE	
	TOLERANCE ±0.5mm	SCALE 1:2	SIZE A4		SHEET 2 OF 2		CHECKED BY	DATE
	REV. E	WC-REV. A.1	QC: Inspection item		CUSTOMER ALTW	APPROVED BY	DATE	