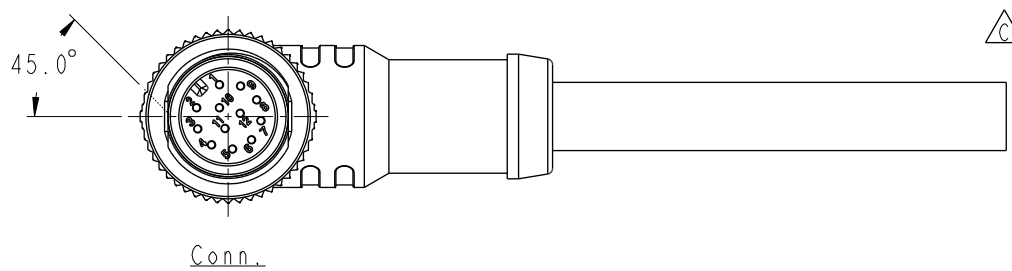
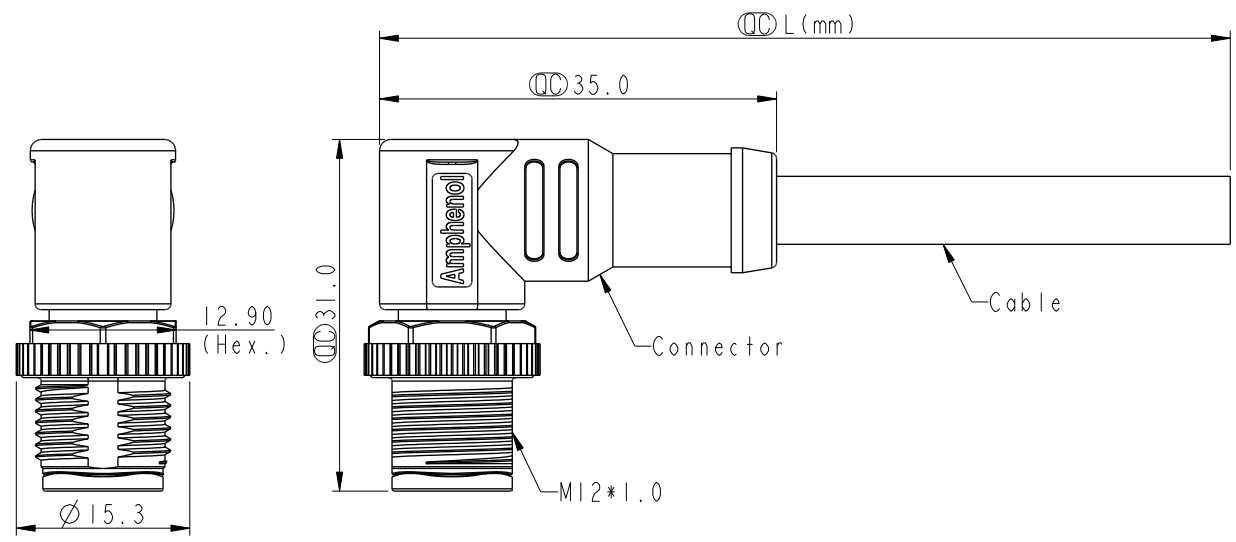


THIS DOCUMENT IS SUBJECT TO CHANGE WITHOUT NOTICE. IT IS CONFIDENTIAL AND A PROPERTY OF Amphenol LTW. DISCLOSURE TO THIRD PARTY HAS TO BE AUTHORIZED BY Amphenol LTW.

REV.	ECN NO.	DATE	SIGN	DESCRIPTION
F	C210020	2021/01/07	Vicky	△F XI
G	C210221	2021/03/18	Vicky	△G X4
H	C221993	2022/12/26	Vicky	△H XI



△E△G Note:  
 \* RoHS Compliant  
 \* ∅ Important dimension  
 △C△H \* Waterproof rate: IP68, mated 1m/24h  
 IP69K, mated

- \* Connector
- Housing: Thermoplastic, Black
- Pin: Copper alloy, Gold plated
- △F Nut: Metal
- Outer mold: Thermoplastic, Black
- \* Cable: UL20549, PUR Jacket, Black
- \* Cable length tolerance: 1M: +50/-0 mm
- 1M < L ≤ 3M: +100/-0 mm
- 3M < L ≤ 5M: +150/-0 mm
- 5M < L ≤ 10M: ±100 mm
- 10M < L ≤ 20M: ±200 mm
- 20M < L ≤ 30M: ±300 mm
- 30M < L ≤ 99M: ±500 mm

UNIT: mm  
 TOLERANCE  
 ±0.5mm

TITLE N SEN, M12 A, SCREW CABLE W/O SR, M, M, MOLDING			△G
SCALE 3:2	SIZE A4	SHEET 1 OF 2	
REV. H	WC-REV. A.1	∅ Inspection item	

**Amphenol LTW**  
 安費諾亮泰企業股份有限公司

ITEM NO.	DRAWN BY Lingpeng	DATE 2017-04-06
DWG NO. △E M12A-XXBMMM-SR8BXX	CHECKED BY Ma Fei	DATE 2017-04-06
CUSTOMER ALTW	APPROVED BY Jerry	DATE 2017-04-06

