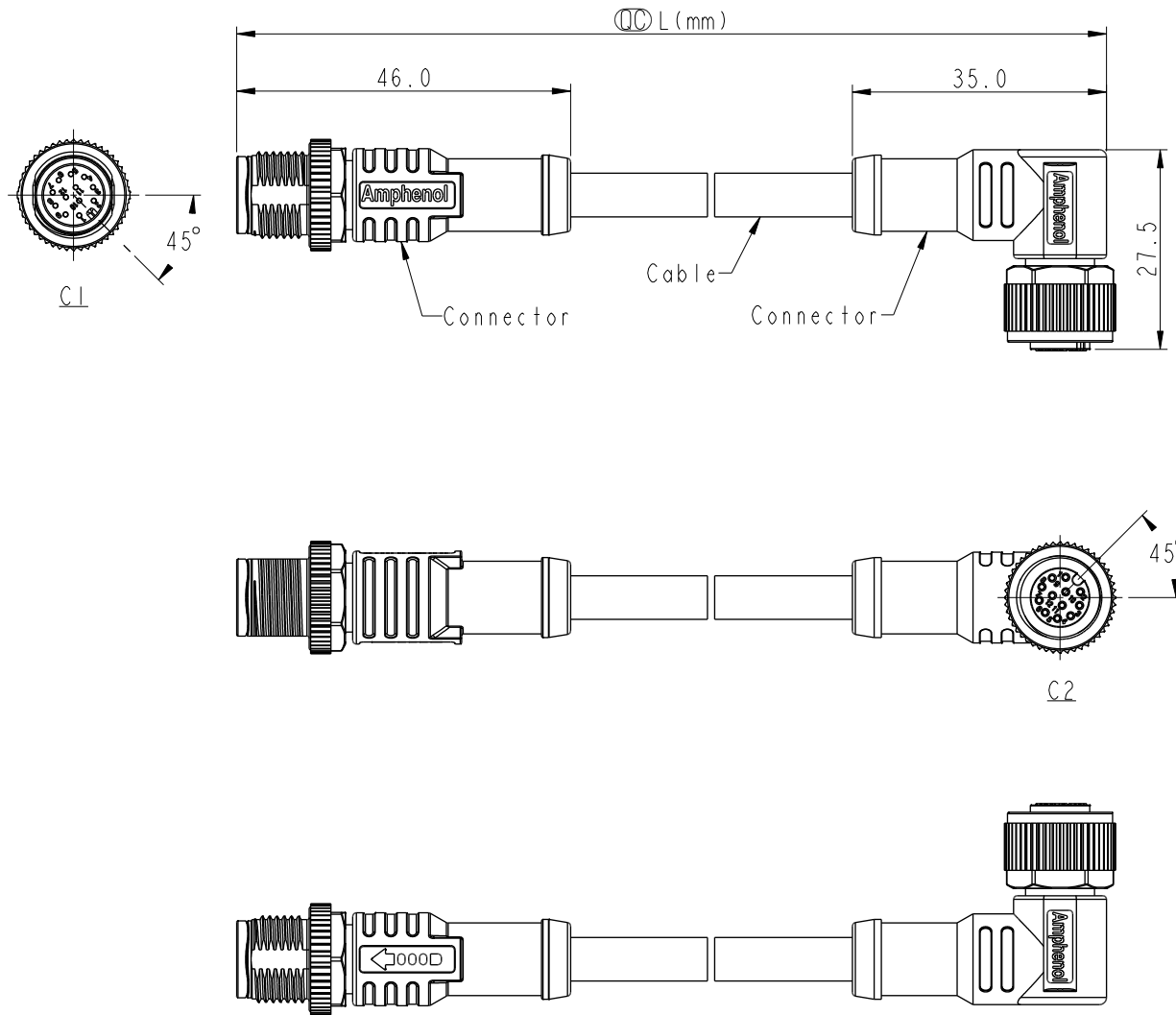


THIS DOCUMENT IS SUBJECT TO CHANGE WITHOUT NOTICE. IT IS CONFIDENTIAL AND A PROPERTY OF Amphenol LTW. DISCLOSURE TO THIRD PARTY HAS TO BE AUTHORIZED BY Amphenol LTW.

REV.	ECN NO.	DATE	SIGN	DESCRIPTION
C	C210021	2021/01/07	Vicky	$\triangle C$ X2
D	C210227	2021/03/30	Vicky	$\triangle D$ X4
E	C222003	2022/12/27	Vicky	$\triangle E$ X2



$\triangle B$   $\triangle D$

Note:

- \* RoHS Compliant
- \*  $\textcircled{L}$  Important dimension
- \* C1
- $\triangle E$  Waterproof rate: IP68, mated 1m/24h  
IP69K, mated
- Housing: Thermoplastic, Black
- Pin: Copper alloy, Gold plated
- $\triangle C$  Nut: Metal
- Outer Mold: Thermoplastic, Black
- \* C2
- $\triangle E$  Waterproof rate: IP68, mated 1m/24h  
IP69K, mated
- Housing: Thermoplastic, Black
- Pin: Copper alloy, Gold plated
- O-Ring: Rubber, Green
- $\triangle C$  Nut: Metal
- Outer Mold: Thermoplastic, Black
- \* Cable: UL20549, PUR Jacket, Black
- \* Cable Length Tolerance: 0.5M < L  $\leq$  1M: +60/-0 mm  
1M < L  $\leq$  3M: +120/-0 mm  
3M < L  $\leq$  5M: +160/-0 mm  
5M < L  $\leq$  10M:  $\pm$ 100 mm  
10M < L  $\leq$  20M:  $\pm$ 200 mm  
20M < L  $\leq$  30M:  $\pm$ 300 mm  
30M < L  $\leq$  99M:  $\pm$ 500 mm

UNIT:mm		TITLE	ACC, SEN, A Code, DB-ENDED $\triangle D$
TOLERANCE	$\pm 0.5\text{mm}$	SCALE	1:2
		SIZE	A4
		SHEET	1 OF 2
		REV.	E
		WC-REV.	A.1
		$\textcircled{L}$	Inspection item

**Amphenol LTW**  
安費諾亮泰企業股份有限公司

ITEM NO	DRAWN BY	DATE
	Vicky	2018-12-05
DWG NO	CHECKED BY	DATE
$\triangle B$ M12AXXML-12AFR-SBXXX	Rita	2018-12-05
CUSTOMER	APPROVED BY	DATE
ALTW	Max	2018-12-05

THIS DOCUMENT IS SUBJECT TO CHANGE WITHOUT NOTICE. IT IS CONFIDENTIAL AND A PROPERTY OF AMPHENOL LTW. DISCLOSURE TO THIRD PARTY HAS TO BE AUTHORIZED BY AMPHENOL LTW.

1 2 3 4 5 6 7 8

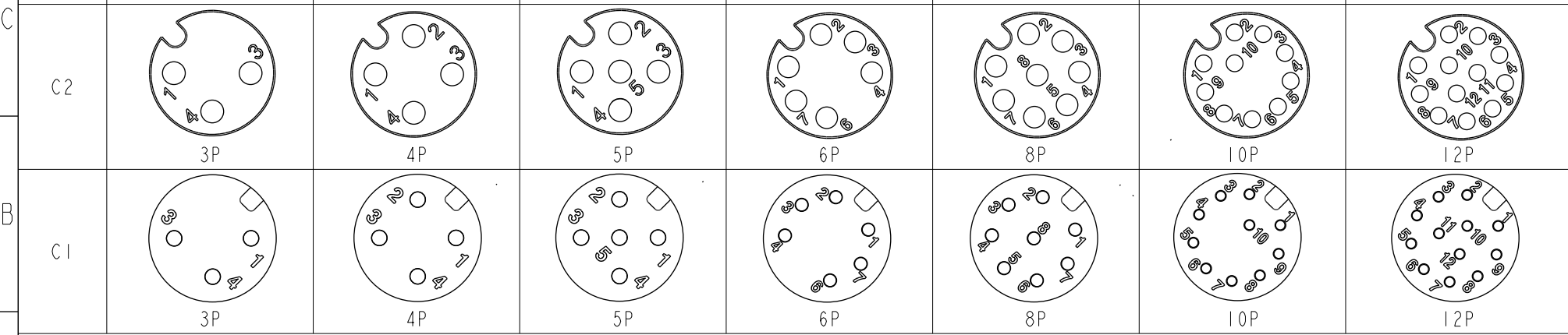
**B**  
MI2AXXML-12AFR-SBXXX

XX: No. Of Pin

XXX: 0.5~99Meters  
 A05: 0.5 Meter  
 1: 01 Meter  
 2: 02 Meters  
 :  
 99: 99 Meters

12P	6.0	26	MI2A12ML-12AFR-SBXXX
10P			MI2A10ML-12AFR-SBXXX
8P	4.8	24	MI2A08ML-12AFR-SBXXX
6P			MI2A06ML-12AFR-SBXXX
5P	4.4	22	MI2A05ML-12AFR-SBXXX
4P			MI2A04ML-12AFR-SBXXX
3P	3.8		MI2A03ML-12AFR-SBXXX
<b>D</b> Contacts	Cable OD	AWG	Item No.

Pin Out	5		4		3		2		1		8		7		6		5		4		3		2		1		
	Pin #	Wire	Pin #	Wire	Pin #	Wire	Pin #	Wire	Pin #	Wire	Pin #	Wire	Pin #	Wire	Pin #	Wire	Pin #	Wire	Pin #	Wire	Pin #	Wire	Pin #	Wire	Pin #	Wire	
	--		--		Gray	灰	--		--		Red	紅	--		--		Red/Blue	紅/藍	--		--		Gray/Pink	灰/粉	12	--	
	Black	黑	Black	黑	Black	黑	Blue	藍	Yellow	黃	Blue	藍	Black	紫	Black	紫	Black	Black	Black	Black	Black	Black	Black	Black	Black	Black	Black
	Blue	藍	Blue	藍	Blue	藍	Green	綠	Brown	棕	Green	綠	Green	綠	Green	綠	Green	Green	Green	Green	Green	Green	Green	Green	Green	Green	
	--		White	白	White	白	White	白	White	白	Brown	棕	Brown	棕	Brown	棕	Brown	Brown	Brown	Brown	Brown	Brown	Brown	Brown	Brown	Brown	
	Brown	棕	Brown	棕	Brown	棕	White	白	White	白	White	白	White	白	White	白	White	White	White	White	White	White	White	White	White	White	



UNIT:mm TOLERANCE ±0.5mm	TITLE ACC, SEN, A Code, DB-ENDED MF		<b>Amphenol LTW</b> 安費諾亮泰企業股份有限公司		ITEM NO	DRAWN BY Vicky	DATE 2018-12-05
	SCALE 1:2	SIZE A4			SHEET 2 OF 2	DWG NO <b>B</b> MI2AXXML-12AFR-SBXXX	CHECKED BY Rita
	REV. E	WC-REV. A.1	QC: Inspection item	CUSTOMER ALTW	APPROVED BY Max	DATE 2018-12-05	

1 2 3 4 5 6 7 8 W10814-03-0001A2