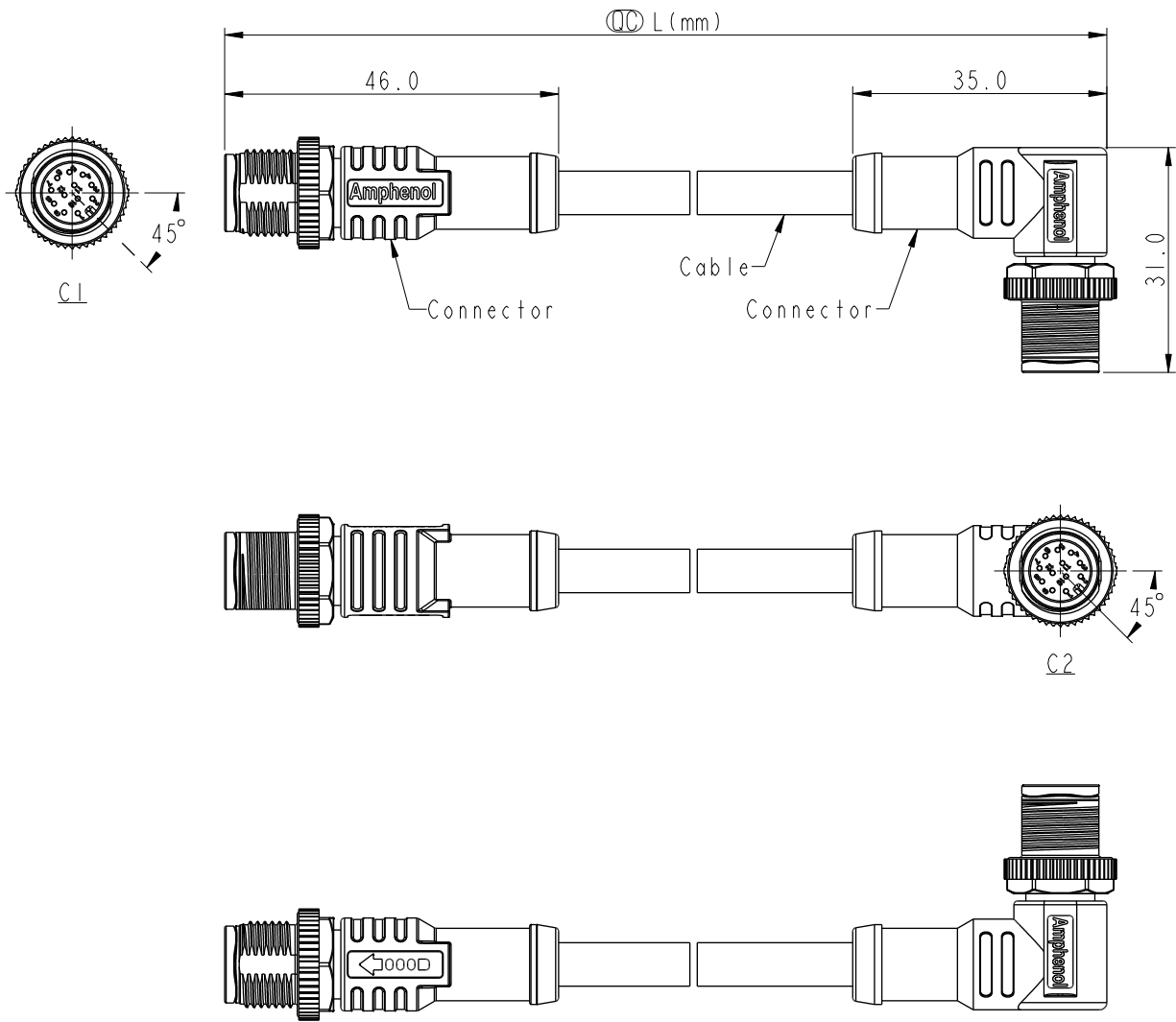


THIS DOCUMENT IS SUBJECT TO CHANGE WITHOUT NOTICE. IT IS CONFIDENTIAL AND A PROPERTY OF Amphenol LTW. DISCLOSURE TO THIRD PARTY HAS TO BE AUTHORIZED BY Amphenol LTW.

REV.	ECN NO.	DATE	SIGN	DESCRIPTION
C	C210022	2021/01/07	Vicky	$\triangle C$ X2
D	C210228	2021/04/01	Vicky	$\triangle D$ X4
E	C222004	2022/12/28	Vicky	$\triangle E$ X2



$\triangle B$ $\triangle D$

Note:

- * RoHS Compliant
- * \circ Important dimension
- * C1

$\triangle E$ Waterproof rate: IP68, mated 1m/24h
IP69K, mated

Housing: Thermoplastic, Black
Pin: Copper alloy, Gold plated

$\triangle C$ Nut: Metal
Outer Mold: Thermoplastic, Black

* C2
 $\triangle E$ Waterproof rate: IP68, mated 1m/24h
IP69K, mated

Housing: Thermoplastic, Black
Pin: Copper alloy, Gold plated

$\triangle C$ Nut: Metal
Outer Mold: Thermoplastic, Black
* Cable: UL20549, PUR Jacket, Black

* Cable Length Tolerance: 0.5M < L \leq 1M: +60/-0 mm
1M < L \leq 3M: +120/-0 mm
3M < L \leq 5M: +160/-0 mm
5M < L \leq 10M: \pm 100 mm
10M < L \leq 20M: \pm 200 mm
20M < L \leq 30M: \pm 300 mm
30M < L \leq 99M: \pm 500 mm

UNIT: mm	\oplus	∇
TOLERANCE	± 0.5 mm	

TITLE ACC, SEN, A Code, DB-ENDED $\triangle D$		
SCALE 1:2	SIZE A4	SHEET 1 OF 2
REV. E	WC-REV. A.1	\circ : Inspection item

Amphenol LTW
安費諾亮泰企業股份有限公司

ITEM NO	DWG NO $\triangle B$ M12AXXML-12AMR-SBXXX
CUSTOMER ALTW	

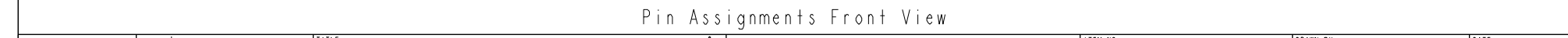
DRAWN BY Vicky	CHECKED BY Rita
APPROVED BY Max	

DATE 2018-12-05	DATE 2018-12-05
DATE 2018-12-05	

THIS DOCUMENT IS SUBJECT TO CHANGE WITHOUT NOTICE. IT IS CONFIDENTIAL AND A PROPERTY OF AMPHENOL LTW. DISCLOSURE TO THIRD PARTY HAS TO BE AUTHORIZED BY AMPHENOL LTW.

F	MI2AXXML-12AMR-SBXXX XX: No. Of Pin	XXX: 0.5~99Meters A05: 0.5 Meter 1: 01 Meter 2: 02 Meters : 99: 99 Meters			12P	6.0	26	MI2A12ML-12AMR-SBXXX		
					10P			MI2A10ML-12AMR-SBXXX		
E					8P	4.8	24	MI2A08ML-12AMR-SBXXX		
					6P	5.0		MI2A06ML-12AMR-SBXXX		
					5P	4.4	22	MI2A05ML-12AMR-SBXXX		
					4P	4.0		MI2A04ML-12AMR-SBXXX		
					3P	3.8		MI2A03ML-12AMR-SBXXX		
					Contacts	Cable OD	AWG	Item No.		

C	Pin Out	3P		4P		5P		6P		8P		10P		12P	
		Pin #	Wire	Pin #	Wire	Pin #	Wire	Pin #	Wire	Pin #	Wire	Pin #	Wire	Pin #	Wire
D		5 --		5 --		5 Gray	灰黑	5 Gray	灰黑	5 Gray	灰黑	5 Gray	灰黑	5 Gray	灰黑
		4 Black	黑	4 Black	黑	4 Black	黑	4 Black	黑	4 Black	黑	4 Black	黑	4 Black	黑
		3 Blue	藍	3 Blue	藍	3 Blue	藍	3 Blue	藍	3 Blue	藍	3 Blue	藍	3 Blue	藍
		2 --		2 White	白	2 White	白	2 Brown	棕	2 Brown	棕	2 Brown	棕	2 Brown	棕
		1 Brown	棕	1 Brown	棕	1 Brown	棕	1 White	白	1 White	白	1 White	白	1 White	白
		8 --		8 --		8 Red	紅	8 Red	紅	8 Red	紅	8 Red	紅	8 Red	紅
		7 Blue	藍	7 Blue	藍	7 Blue	藍	7 Blue	藍	7 Blue	藍	7 Blue	藍	7 Blue	藍
		6 Pink	粉	6 Pink	粉	6 Pink	粉	6 Pink	粉	6 Pink	粉	6 Pink	粉	6 Pink	粉
		5 --		5 --		5 Gray	灰	5 Gray	灰	5 Gray	灰	5 Gray	灰	5 Gray	灰
		4 Yellow	黃	4 Yellow	黃	4 Yellow	黃	4 Yellow	黃	4 Yellow	黃	4 Yellow	黃	4 Yellow	黃
		3 Green	綠	3 Green	綠	3 Green	綠	3 Green	綠	3 Green	綠	3 Green	綠	3 Green	綠
		2 Brown	棕	2 Brown	棕	2 Brown	棕	2 Brown	棕	2 Brown	棕	2 Brown	棕	2 Brown	棕
		1 White	白	1 White	白	1 White	白	1 White	白	1 White	白	1 White	白	1 White	白
		12 --		12 Red/Blue	紅/藍	12 --		12 --		12 --		12 Red/Blue	紅/藍	12 --	
		11 --		11 Gray/Pink	灰/粉	11 --		11 --		11 --		11 Gray/Pink	灰/粉	11 --	
		10 Violet	紫	10 Violet	紫	10 Violet	紫	10 Violet	紫	10 Violet	紫	10 Violet	紫	10 Violet	紫
		9 Black	黑	9 Black	黑	9 Black	黑	9 Black	黑	9 Black	黑	9 Black	黑	9 Black	黑



Pin Assignments Front View

UNIT:mm			TITLE ACC, SEN, A Code, DB-ENDED MM		ITEM NO.	DRAWN BY Vicky	DATE 2018-12-05
TOLERANCE	±0.5mm	SCALE 1:2	SIZE A4	SHEET 2 OF 2	DWG NO. MI2AXXML-12AMR-SBXXX	CHECKED BY Rita	DATE 2018-12-05
REV. E	WC-REV. A.1	CC: Inspection item			CUSTOMER ALTW	APPROVED BY Max	DATE 2018-12-05

Amphenol LTW

安費諾亮泰企業股份有限公司