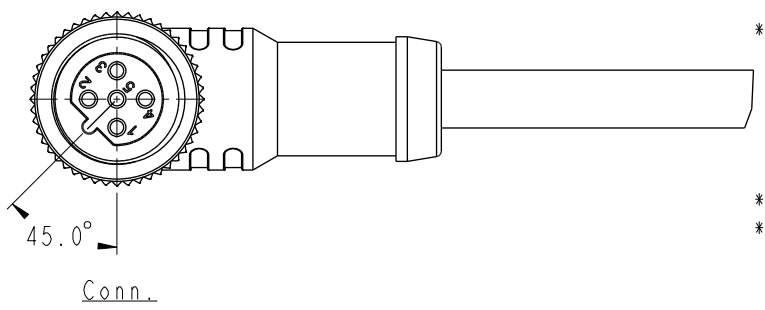
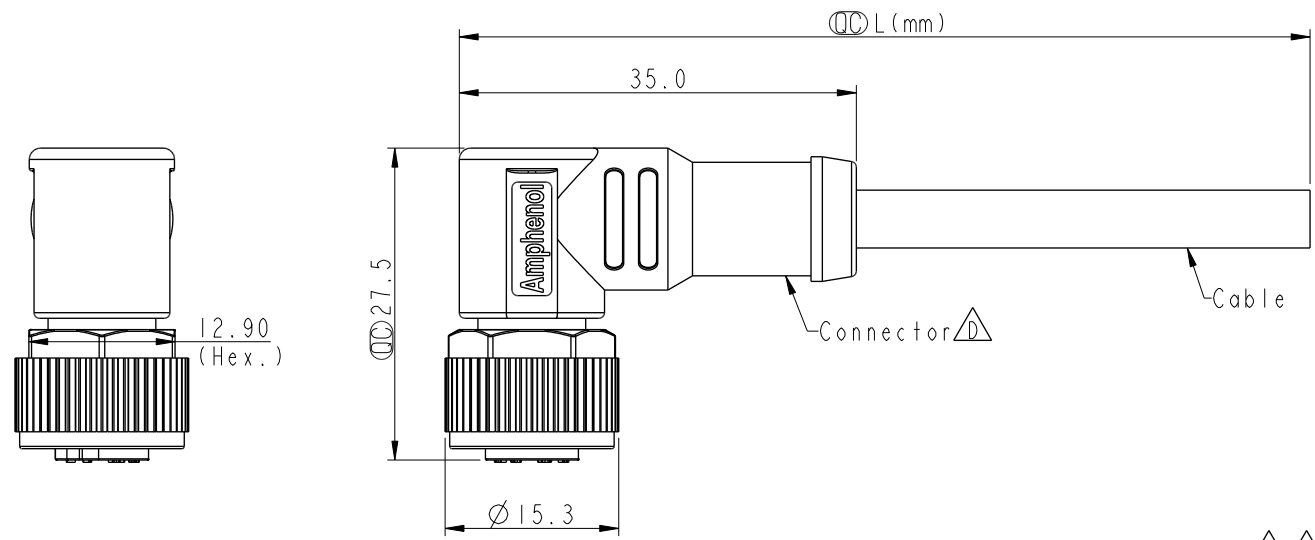


THIS DOCUMENT IS SUBJECT TO CHANGE WITHOUT NOTICE. IT IS CONFIDENTIAL AND A PROPERTY OF Amphenol LTW. DISCLOSURE TO THIRD PARTY HAS TO BE AUTHORIZED BY Amphenol LTW.

REV.	ECN NO.	DATE	SIGN	DESCRIPTION
E	C201578	2020-10-21	Ruru	$\triangle E$ X5
F	C210542	2020-02-05	Ruru	$\triangle F$ X5
G	C221874	2022-12-05	Ruru	$\triangle G$ X1



- Note:  $\triangle E$   $\triangle F$
- \* RoHS Compliant
  - \*  $\odot$  Important dimension
  - \*  $\triangle G$   $\triangle C$  \* Waterproof rate: IP68, mated 1m/24h IP69K, mated
  - \* Connector
    - Housing: Thermoplastic, Black
    - Pin: Copper alloy, Gold plated
    - O-Ring: Rubber, Green
    - Nut: Metal
    - Outer mold: Thermoplastic, Black
  - \* Cable: UL20549, PUR Jacket, Black
  - \* Cable length tolerance: 1M: +50/-0 mm
    - 1M < L ≤ 3M: +100/-0 mm
    - 3M < L ≤ 5M: +150/-0 mm
    - 5M < L ≤ 10M: ±100 mm
    - 10M < L ≤ 20M: ±200 mm
    - 20M < L ≤ 30M: ±300 mm
    - 30M < L ≤ 99M: ±500 mm

UNIT: mm

TOLERANCE

±0.5mm


TITLE N SEN, M12 B, SCREW CABLE W/O SR, F, F, MOLDING $\triangle F$			
SCALE 3:2	SIZE A4	SHEET 1 OF 2	
REV. G	WC-REV. A.2	$\odot$ : Inspection item	

**Amphenol LTW**  
安費諾亮泰企業股份有限公司

ITEM NO.	DRAWN BY Eric	DATE 2019-06-24
DWG NO. $\triangle E$ M12B-XXBFFM-SR8BXX	CHECKED BY Brady	DATE 2019-06-24
CUSTOMER ALTW	APPROVED BY Neo	DATE 2019-06-24

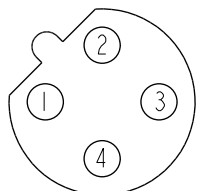
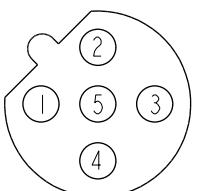
THIS DOCUMENT IS SUBJECT TO CHANGE WITHOUT NOTICE. IT IS CONFIDENTIAL AND A PROPERTY OF Amphenol LTW. DISCLOSURE TO THIRD PARTY HAS TO BE AUTHORIZED BY Amphenol LTW.

	5P	4.4	22	MI2B-05BFFM-SR8BXX
	4P	4.0		MI2B-04BFFM-SR8BXX
	Contacts	Cable OD	AWG	Item No.



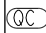
  
 MI2B-XXBFFM-SR8BXX  
 XX: No. Of Pin

XX: 01~99Meters  
 01: 01Meter  
 02: 02Meters  
 ...  
 99: 99Meters




Pin Out	4	Black	黑	5	Gray	灰
	3	Blue	藍	4	Black	黑
	2	White	白	3	Blue	藍
	1	Brown	棕	2	White	白
				1	Brown	棕
	Pin #	Wire		Pin #	Wire	
Conn.						
	4P			5P		

Pin Assignments Front View

UNIT:mm		TITLE N SEN, MI2 B, SCREW CABLE W/O SR, F, F, MOLDING 	
TOLERANCE ±0.5mm	SCALE 3:2	SIZE A4	SHEET 2 OF 2
	REV. G	WC-REV. A.2	 : Inspection item

**Amphenol LTW**  
 安費諾亮泰企業股份有限公司

ITEM NO	DRAWN BY Eric	DATE 2019-06-24
DWG NO  MI2B-XXBFFM-SR8BXX	CHECKED BY Brady	DATE 2019-06-24
CUSTOMER ALTW	APPROVED BY Neo	DATE 2019-06-24