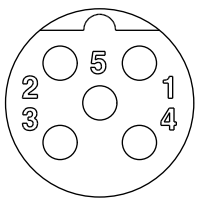
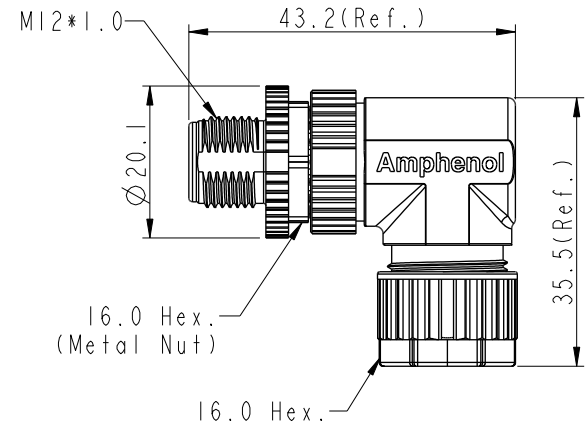
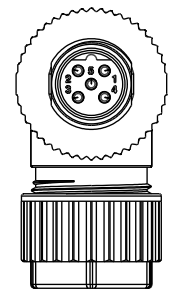
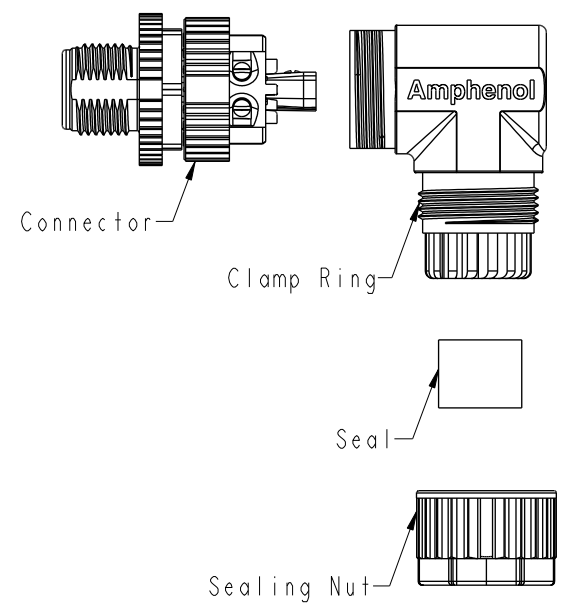


THIS DOCUMENT IS SUBJECT TO CHANGE WITHOUT NOTICE. IT IS CONFIDENTIAL AND A PROPERTY OF AMPHENOL LTW. DISCLOSURE TO THIRD PARTY HAS TO BE AUTHORIZED BY AMPHENOL LTW.

| REV. | ECN NO. | DATE       | SIGN  | DESCRIPTION |
|------|---------|------------|-------|-------------|
| C    | C210024 | 2021/01/08 | Vicky | △C XI       |
| D    | C210561 | 2021/04/12 | Vicky | △D X3       |
| E    | C221877 | 2022/12/09 | Ruru  | △E XI       |

△B M12B-XXBMMB-SR7001  
 XX: No. Of Pin

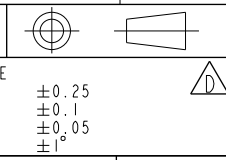


Pin Assignments Front View

- △B △D  
 Note:  
 \* RoHS Compliant  
 \* (C) Important Dimension  
 △E \* Waterproof rate: IP67, mated  
 \* Connector  
 Housing: Thermoplastic, Black  
 Pin: Copper alloy, Gold plated  
 Extension Nut: Thermoplastic, Black  
 △C Nut: Metal  
 O-Ring: Rubber, Gray  
 \* Clamp Ring: Thermoplastic, Black  
 \* Sealing Nut: Thermoplastic, Black  
 \* Seal: Rubber, Gray, OD:  $\varnothing 4.0\text{mm} \sim \varnothing 7.0\text{mm}$   
 \* One set unassembled in one pe bag

UNIT:mm

|           |               |
|-----------|---------------|
| TOLERANCE |               |
| .X        | $\pm 0.25$    |
| .XX       | $\pm 0.1$     |
| .XXX      | $\pm 0.05$    |
| ANGLES    | $\pm 1^\circ$ |



|  |                |                     |  |
|--|----------------|---------------------|--|
| TITLE<br>N SEN, M12 B, SCREW △B △D<br>CABLE W/O SR, M, M, FI SCREWIN |                |                     |  |
| SCALE<br>1:1   | SIZE<br>A4     | SHEET<br>1 OF 1     |  |
| REV.<br>E  | WC-REV.<br>A.1 | △C: Inspection item |  |

**Amphenol LTW**  
 安費諾亮泰企業股份有限公司

|                                 |                      |                    |
|---------------------------------|----------------------|--------------------|
| ITEM NO                         | DRAWN BY<br>Mila     | DATE<br>2015-10-09 |
| DWG NO<br>△B M12B-XXBMMB-SR7001 | CHECKED BY<br>Cary   | DATE<br>2015-10-09 |
| CUSTOMER<br>ALTW                | APPROVED BY<br>Jerry | DATE<br>2015-10-09 |