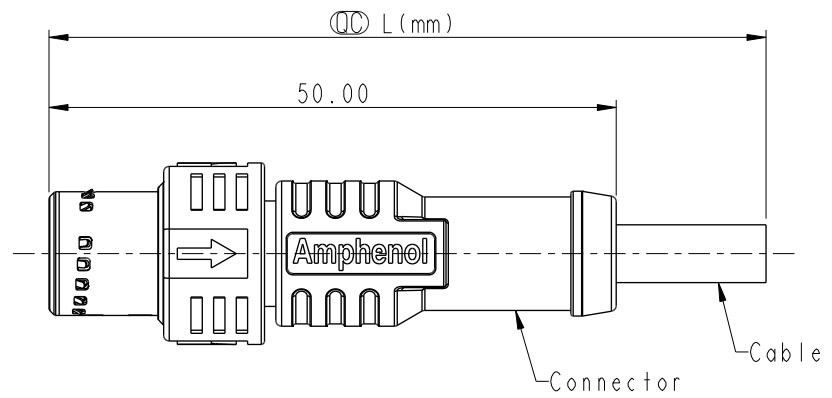
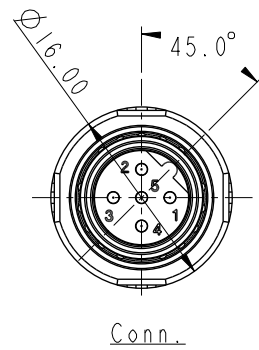


THIS DOCUMENT IS SUBJECT TO CHANGE WITHOUT NOTICE. IT IS CONFIDENTIAL AND A PROPERTY OF Amphenol LTW. DISCLOSURE TO THIRD PARTY HAS TO BE AUTHORIZED BY Amphenol LTW.

REV.	ECN NO.	DATE	SIGN	DESCRIPTION
B	C210542	2021/04/12	Ruru	$\triangle B$ X2
C	C210939	2021/06/22	Cynthia	$\triangle C$ X1
D	C221874	2022/12/05	Ruru	$\triangle D$ X1

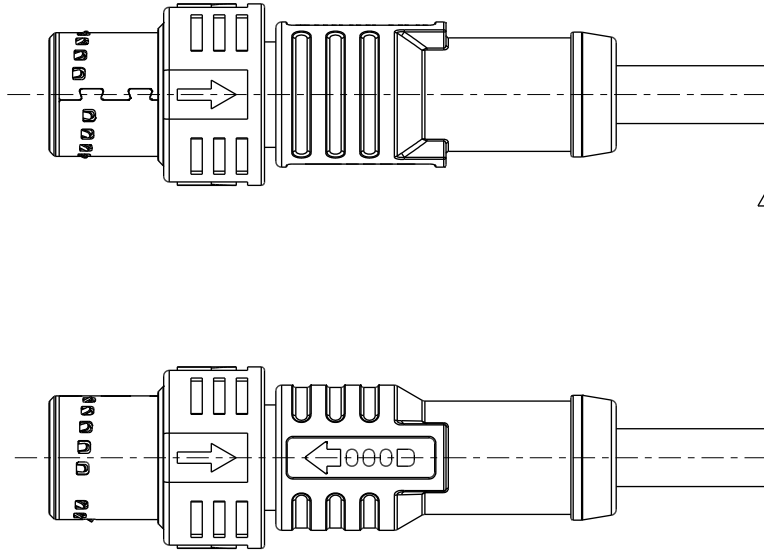


$\triangle C$
M12B- XX BMMM-PL8B XX

XX: No. Of Pin

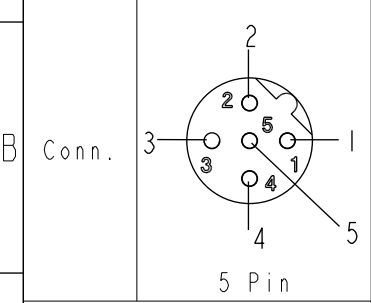
XX:01~99Meters
01:01Meter
02:02Meters
:
99:99Meters

Pin Out	Wire	Wire
5	Gray	灰
4	Black	黑
3	Blue	藍
2	White	白
1	Brown	棕



Note: $\triangle B$

- * RoHS Compliant
- * \circledast Important dimension
- * $\triangle D$ Waterproof rate: IP68, mated 1m/24h
- * Connector
- Housing: Thermoplastic, Black
- Pin: Copper alloy, Gold plated
- Shield: Metal
- Slider: Thermoplastic, Black
- Outer mold: Thermoplastic, Black
- * Cable: UL20549, 22#*5, OD=4.4mm, PUR Jacket, Black
- * Cable length tolerance: 1M: +50/-0 mm
- 1M < L ≤ 3M: +100/-0 mm
- 3M < L ≤ 5M: +150/-0 mm
- 5M < L ≤ 10M: ±100 mm
- 10M < L ≤ 20M: ±200 mm
- 20M < L ≤ 30M: ±300 mm
- 30M < L ≤ 99M: ±500 mm



Pin Assignments Front View

UNIT:mm	
TOLERANCE	±0.5 mm

TITLE N SEN, M12 B, PUSH PULL CABLE W/O SR, M, M, MOLDING $\triangle B$			
SCALE 2:1	SIZE A4	SHEET 1 OF 1	
REV. D	WC-REV.	\circledast : Inspection item	

Amphenol LTW
安費諾亮泰企業股份有限公司

ITEM NO.	DRAWN BY Cynthia	DATE 2020/09/22
DWG NO. M12B-XXBMMM-PL8BXX	CHECKED BY Brady	DATE 2020/09/22
CUSTOMER ALTW	APPROVED BY Neo	DATE 2020/09/22