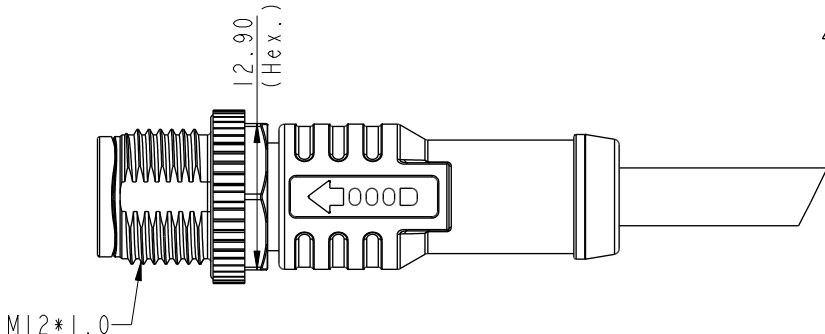
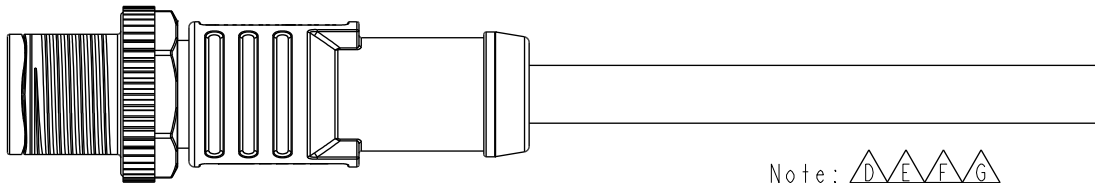
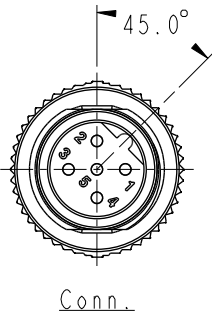
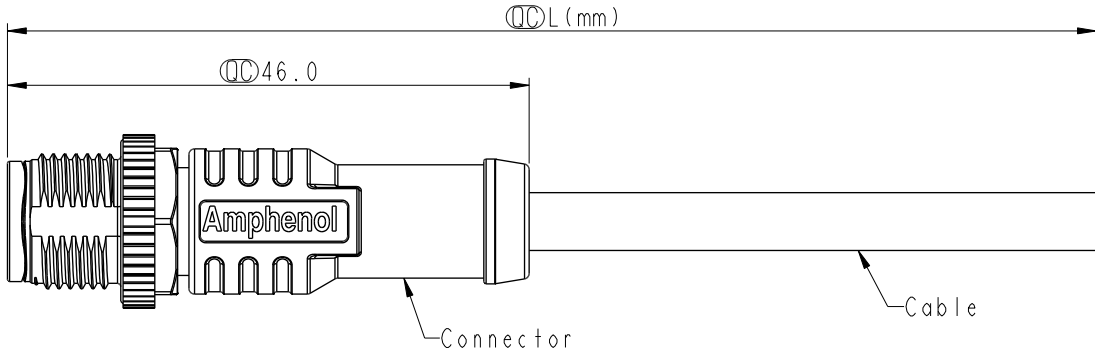


REV.	ECN NO.	DATE	SIGN	DESCRIPTION
F	C210024	2021/01/08	Vicky	△F XI
G	C210542	2021/02/17	Ruru	△G X5
H	C221874	2022/12/05	Ruru	△H XI



- Note: D E F G
- * RoHS Compliant
 - * ∅ Important dimension
 - △ * Waterproof rate: IP68, mated 1m/24h
IP69K, mated
 - * Connector
 - Housing: Thermoplastic, Black
 - Pin: Copper alloy, Gold plated
 - Nut: Metal
 - Outer mold: Thermoplastic, Black
 - * Cable: UL20549, PUR Jacket, Black
 - * Cable length tolerance: 1M: +50/-0 mm
 1M < L ≤ 3M: +100/-0 mm
 3M < L ≤ 5M: +150/-0 mm
 5M < L ≤ 10M: ±100 mm
 10M < L ≤ 20M: ±200 mm
 20M < L ≤ 30M: ±300 mm
 30M < L ≤ 99M: ±500 mm

UNIT: mm		TITLE N SEN, M12 B, SCREW CABLE W/O SR, M, M, MOLDING △	Amphenol LTW 安費諾亮泰企業股份有限公司		ITEM NO	DRAWN BY Ruru	DATE 2019-01-21
TOLERANCE ±0.5mm		SCALE 3:2	SIZE A4	SHEET 1 OF 2	DWG NO △ M12B-XXBMM-SL8BXX	CHECKED BY Rita	DATE 2019-01-21
REV. H	WC-REV. A.2	∅ : Inspection item		CUSTOMER ALTW	APPROVED BY Max	DATE 2019-01-21	W10814-03-01A2

THIS DOCUMENT IS SUBJECT TO CHANGE WITHOUT NOTICE. IT IS CONFIDENTIAL AND A PROPERTY OF Amphenol LTW. DISCLOSURE TO THIRD PARTY HAS TO BE AUTHORIZED BY Amphenol LTW.

	5P	4.4	22	MI2B-05BMMM-SL8BXX
	4P	4.8	22	MI2B-04BMMM-SL8BXX
Contacts	Cable OD	AWG	Item No.	

△B
△C
△G

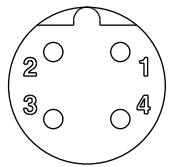
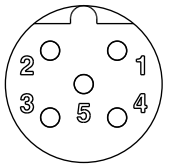
△E

MI2B-XXBMMM-SL8BXX


XX: No. Of Pin

XX:01~99Meters
01:01Meter
02:02Meters
:
99:99Meters

△G

Pin Out	4	Black	黑	5	Gray	灰
	3	Blue	藍	4	Black	黑
	2	White	白	3	Blue	藍
	1	Brown	棕	2	White	白
				1	Brown	棕
	Pin #	Wire		Pin #	Wire	
Conn.						
	4P			5P		

Pin Assignments Front View

UNIT:mm	
TOLERANCE	±0.5mm

TITLE N SEN, MI2 B, SCREW CABLE W/O SR, M, M, MOLDING △E		
SCALE 3:2	SIZE A4	SHEET 2 OF 2
REV. H	WC-REV. A.2	QC: Inspection item

Amphenol LTW
安費諾亮泰企業股份有限公司

ITEM NO	DRAWN BY Ruru	DATE 2019-01-21
DWG NO △E MI2B-XXBMMM-SL8BXX	CHECKED BY Rita	DATE 2019-01-21
CUSTOMER ALTW	APPROVED BY Max	DATE 2019-01-21