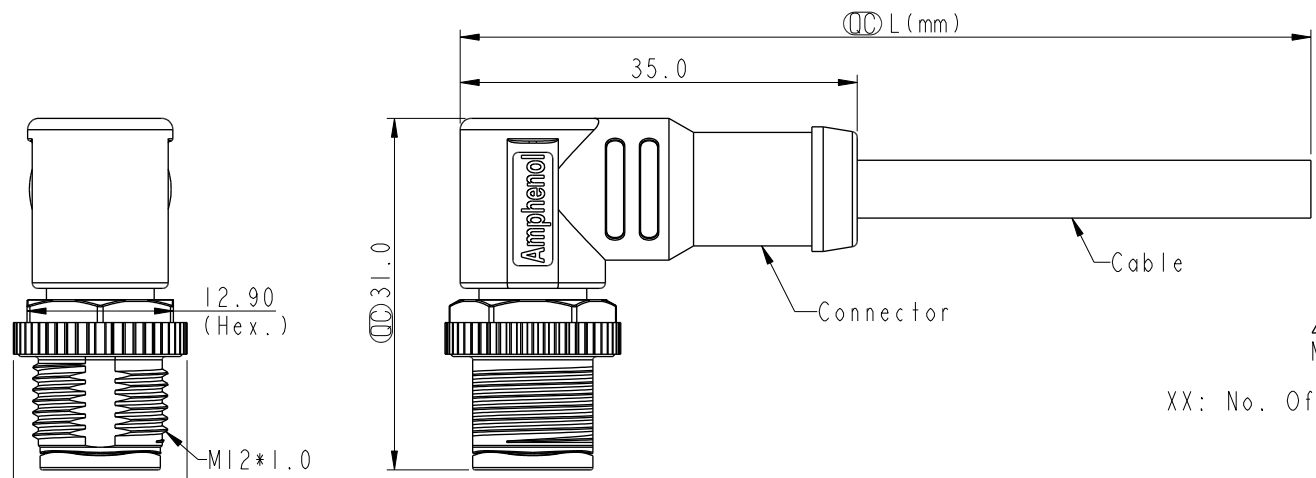
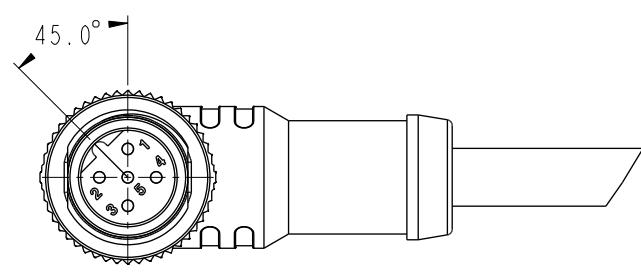


THIS DOCUMENT IS SUBJECT TO CHANGE WITHOUT NOTICE. IT IS CONFIDENTIAL AND A PROPERTY OF Amphenol LTW. DISCLOSURE TO THIRD PARTY HAS TO BE AUTHORIZED BY Amphenol LTW.

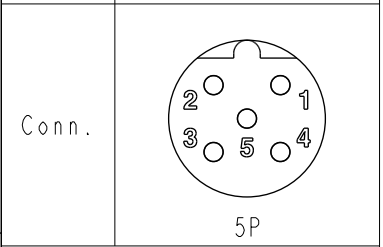
REV.	ECN NO.	DATE	SIGN	DESCRIPTION
E	C210024	2021/01/08	Vicky	△E XI
F	C210542	2021/02/22	Ruru	△F X3
G	C221874	2022/12/05	Ruru	△G XI



△D  
M12B-XXBMMM-SR8AXX  
XX: No. Of Pin  
XX:01~99Meters  
01:01Meter  
02:02Meters  
:  
99:99Meters



Pin Out	Color	Color (Chinese)
5	Gray	灰
4	Black	黑
3	Blue	藍
2	White	白
1	Brown	棕



- Note: △C △D △E △F
- \* RoHS Compliant
  - \* ∅ Important dimension
  - \* △G Waterproof rate: IP68, mated 1m/24h  
IP69K, mated
  - \* Connector  
Housing: Thermoplastic, Black  
Pin: Copper alloy, Gold plated  
Nut: Metal  
Outer mold: Thermoplastic, Black
  - \* Cable: UL2517, 22#\*5C, OD=5.1mm, PVC Jacket, Yellow
  - \* Cable length tolerance: 1M: +50/-0 mm  
1M < L ≤ 3M: +100/-0 mm  
3M < L ≤ 5M: +150/-0 mm  
5M < L ≤ 10M: ±100 mm  
10M < L ≤ 20M: ±200 mm  
20M < L ≤ 30M: ±300 mm  
30M < L ≤ 99M: ±500 mm

UNIT:mm	
TOLERANCE	±0.5mm

TITLE N SEN, M12 B, SCREW CABLE W/O SR, M, M, MOLDING △E			
SCALE 3:2	SIZE A4	SHEET 1 OF 1	
REV. G	WC-REV. A.2	∅ Inspection item	

**Amphenol LTW**  
安費諾亮泰企業股份有限公司

ITEM NO	DRAWN BY Ruru	DATE 2019-01-21
DWG NO △G M12B-XXBMMM-SR8AXX	CHECKED BY Rita	DATE 2019-01-21
CUSTOMER ALTW	APPROVED BY Max	DATE 2019-01-21