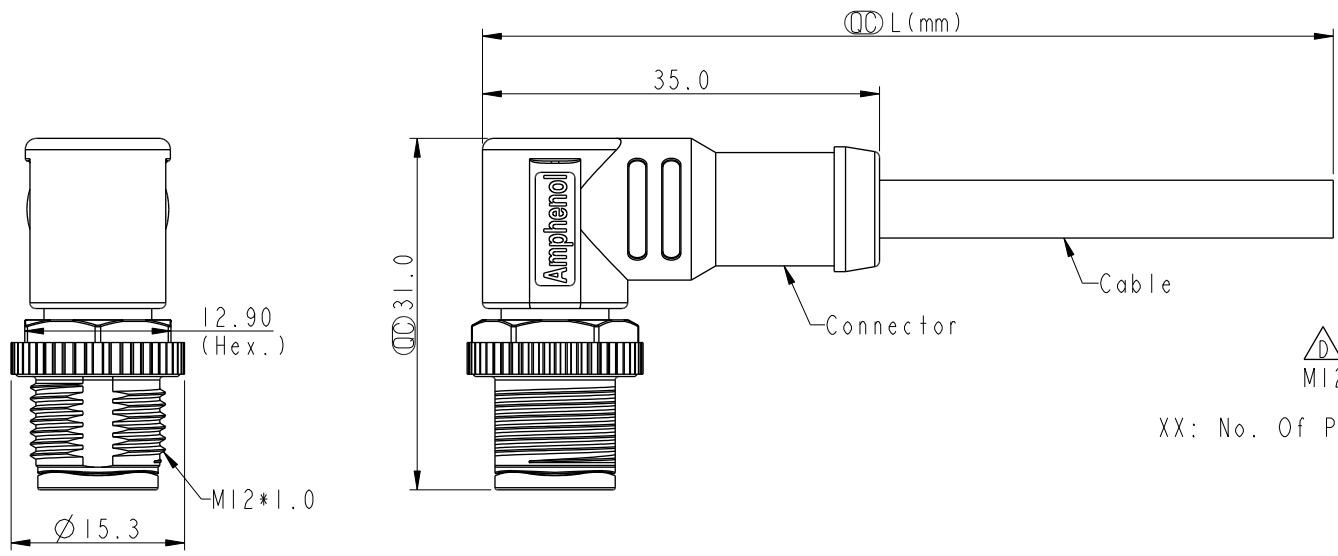


THIS DOCUMENT IS SUBJECT TO CHANGE WITHOUT NOTICE. IT IS CONFIDENTIAL AND A PROPERTY OF Amphenol LTW. DISCLOSURE TO THIRD PARTY HAS TO BE AUTHORIZED BY Amphenol LTW.

REV.	ECN NO.	DATE	SIGN	DESCRIPTION
E	C210024	2021/01/08	Vicky	△E X1
F	C210542	2021/02/22	Ruru	△E X3
G	C221874	2022/12/05	Ruru	△G X1

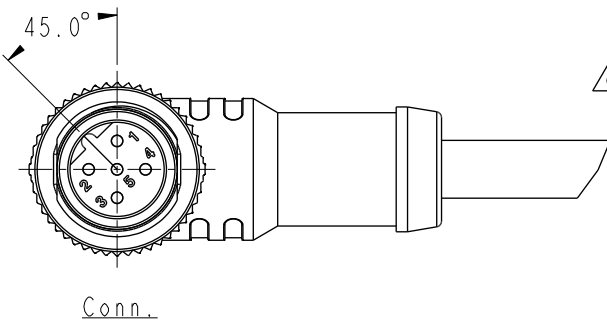


△D
M12B-XXBMMM-SR8BXX
XX: No. Of Pin
XX:01~99Meters
01:01Meter
02:02Meters
:
99:99Meters

Pin Out	Wire	Color
5	Gray	灰
4	Black	黑
3	Blue	藍
2	White	白
1	Brown	棕

Pin #	Wire
2	1
3	4
5	3

5P



- Note: △C △D △E △F
- * RoHS Compliant
 - * (C) Important dimension
 - * △G Waterproof rate: IP68, mated 1m/24h
IP69K, mated
 - * Connector
Housing: Thermoplastic, Black
Pin: Copper alloy, Gold plated
Nut: Metal
Outer mold: Thermoplastic, Black
 - * Cable: UL20549, 22#*5C, OD=4.4mm, PUR Jacket, Black
 - * Cable length tolerance: 1M: +50/-0 mm
1M < L ≤ 3M: +100/-0 mm
3M < L ≤ 5M: +150/-0 mm
5M < L ≤ 10M: ±100 mm
10M < L ≤ 20M: ±200 mm
20M < L ≤ 30M: ±300 mm
30M < L ≤ 99M: ±500 mm

UNIT:mm	
TOLERANCE	±0.5mm

TITLE N SEN, M12 B, SCREW CABLE W/O SR, M, M, MOLDING △E			
SCALE 3:2	SIZE A4	SHEET 1 OF 1	
REV. G	WC-REV. A.2	(C) Inspection item	

Amphenol LTW
安費諾亮泰企業股份有限公司

ITEM NO	DRAWN BY Ruru	DATE 2019-01-21
DWG NO △G M12B-XXBMMM-SR8BXX CUSTOMER	CHECKED BY Rita	DATE 2019-01-21
ALTW	APPROVED BY Max	DATE 2019-01-21