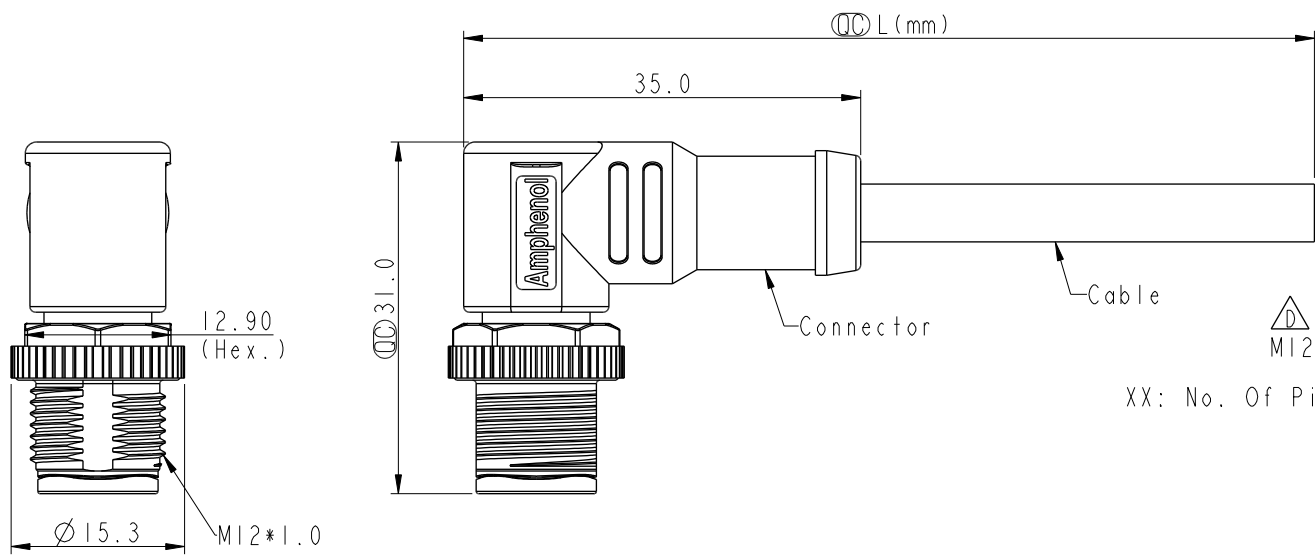


THIS DOCUMENT IS SUBJECT TO CHANGE WITHOUT NOTICE. IT IS CONFIDENTIAL AND A PROPERTY OF Amphenol LTW. DISCLOSURE TO THIRD PARTY HAS TO BE AUTHORIZED BY Amphenol LTW.

REV.	ECN NO.	DATE	SIGN	DESCRIPTION
E	C210024	2021/01/08	Vicky	△E X1
F	C210542	2021/02/22	Ruru	△F X3
G	C221874	2022/12/05	Ruru	△G X1



△D  
M12B-XXBMM-SR8DXX  
XX: No. Of Pin  
XX:01~99Meters  
01:01Meter  
02:02Meters  
:  
99:99Meters

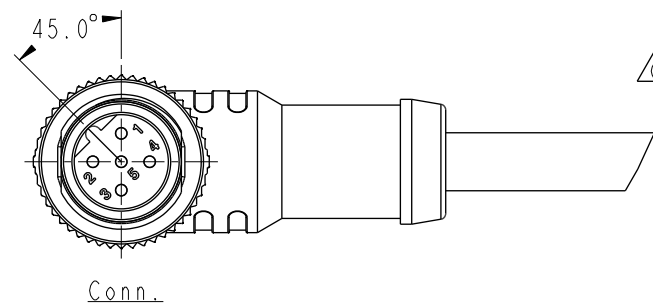
Pin Out	Wire	Color
5	Gray	灰
4	Black	黑
3	Blue	藍
2	White	白
1	Brown	棕

Pin #	Wire
1	Brown
2	White
3	Blue
4	Black
5	Gray

5P



Note: △C △D △E △F  
 \* RoHS Compliant  
 \* ∅ Important dimension  
 △G \* Waterproof rate: IP68, mated 1m/24h  
 IP69K, mated  
 \* Connector  
 Housing: Thermoplastic, Black  
 Pin: Copper alloy, Gold plated  
 Nut: Metal  
 Outer mold: Thermoplastic, Black  
 \* Cable: UL2517, 22#\*5C, OD=5.1mm, PVC Jacket, Black  
 \* Cable length tolerance: 1M: +50/-0 mm  
 1M < L ≤ 3M: +100/-0 mm  
 3M < L ≤ 5M: +150/-0 mm  
 5M < L ≤ 10M: ±100 mm  
 10M < L ≤ 20M: ±200 mm  
 20M < L ≤ 30M: ±300 mm  
 30M < L ≤ 99M: ±500 mm

UNIT:mm TOLERANCE ±0.5mm	TITLE N SEN, M12 B, SCREW CABLE W/O SR, M, M, MOLDING △F			Amphenol LTW 安費諾亮泰企業股份有限公司	ITEM NO	DRAWN BY Ruru	DATE 2019-01-21
	SCALE 3:2	SIZE A4	SHEET 1 OF 1		DWG NO △M12B-XXBMM-SR8DXX	CHECKED BY Rita	DATE 2019-01-21
	REV. G	WC-REV. A.2	∅ Inspection item		CUSTOMER ALTW	APPROVED BY Max	DATE 2019-01-21