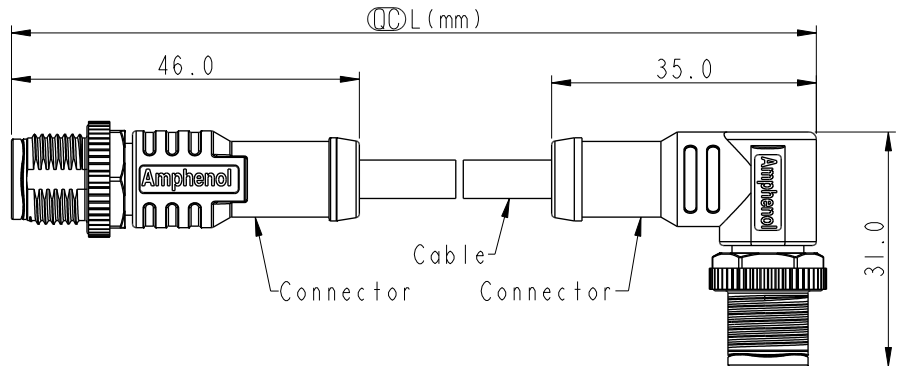
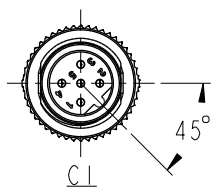


THIS DOCUMENT IS SUBJECT TO CHANGE WITHOUT NOTICE. IT IS CONFIDENTIAL AND A PROPERTY OF Amphenol LTW. DISCLOSURE TO THIRD PARTY HAS TO BE AUTHORIZED BY Amphenol LTW.

| REV. | ECN NO. | DATE | SIGN | DESCRIPTION |
|------|---------|------------|-------|------------------|
| C | C210024 | 2021/01/12 | Vicky | $\triangle C$ X1 |
| D | C210235 | 2021/03/24 | Ruru | $\triangle D$ X2 |
| E | C222001 | 2022/12/29 | Ruru | $\triangle E$ X2 |



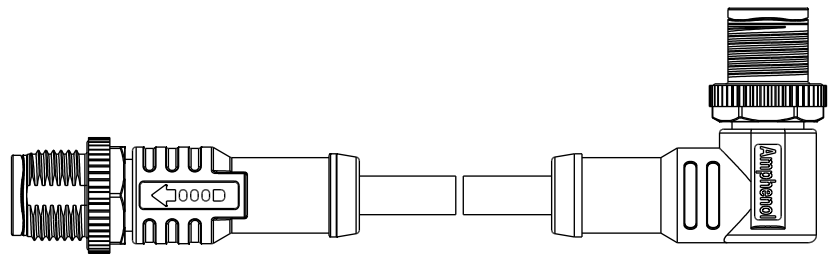
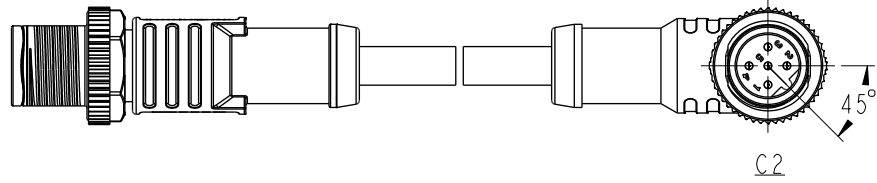
$\triangle B$ MI2BXXML-12BMR-SDXXX

XX: No. Of Pin

XXX: 0.5~99Meters
 A05: 0.5 Meter
 001: 1 Meter
 002: 2 Meters
 :
 099: 99 Meters

| Pin Out | Wire | Wire |
|---------|-------|------|
| 5 | Gary | 灰 |
| 4 | Black | 黑 |
| 3 | Blue | 藍 |
| 2 | White | 白 |
| 1 | Brown | 棕 |

| Pin # | Wire |
|-------|-------|
| 1 | Brown |
| 2 | White |
| 3 | Blue |
| 4 | Black |
| 5 | Gary |



Note: $\triangle B$ $\triangle C$ $\triangle D$

- * RoHS Compliant
- * \circ Important dimension
- * C1
- $\triangle E$ Waterproof rate: IP68, mated 1m/24h
 IP69K, mated
 Housing: Thermoplastic, Black
 Pin: Copper alloy, Gold plated
 Nut: Metal
 Outer mold: Thermoplastic, Black
- * C2
- $\triangle F$ Waterproof rate: IP68, mated 1m/24h
 IP69K, mated
 Housing: Thermoplastic, Black
 Pin: Copper alloy, Gold plated
 Nut: Metal
 Outer mold: Thermoplastic, Black
- * Cable: UL2517, 22#*5C, OD=5.1mm, PVC Jacket, Black
- * Cable length tolerance: 0.5M < L ≤ 1M: +60/-0 mm
 1M < L ≤ 3M: +120/-0 mm
 3M < L ≤ 5M: +160/-0 mm
 5M < L ≤ 10M: ±100 mm
 10M < L ≤ 20M: ±200 mm
 20M < L ≤ 30M: ±300 mm
 30M < L ≤ 99M: ±500 mm

| | |
|-----------|---------|
| UNIT:mm | |
| TOLERANCE | ±0.5 mm |

| | | | |
|---|---------|---------------------------|--|
| TITLE ACC, SEN, B Code, DB-ENDED MM $\triangle D$ | | | |
| SCALE 1:2 | SIZE A4 | SHEET 1 OF 1 | |
| REV. E | WC-REV. | \circ : Inspection item | |

Amphenol LTW
 安費諾亮泰企業股份有限公司

| | | |
|---|-----------------|-----------------|
| ITEM NO | DRAWN BY Ruru | DATE 2018-12-07 |
| DWG NO $\triangle B$ MI2BXXML-12BMR-SDXXX | CHECKED BY Rita | DATE 2018-12-07 |
| CUSTOMER ALTW | APPROVED BY Max | DATE 2018-12-07 |