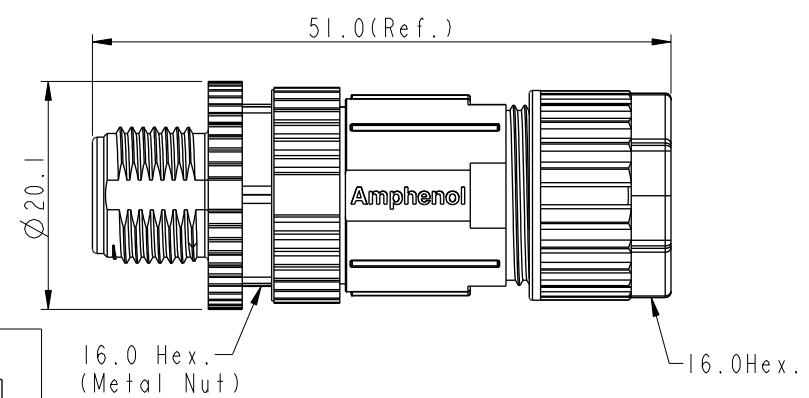
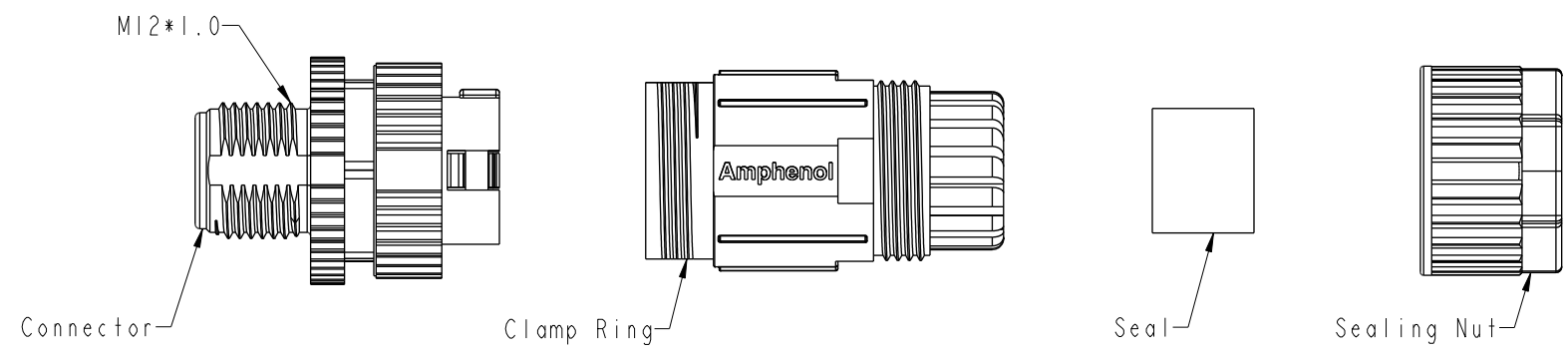


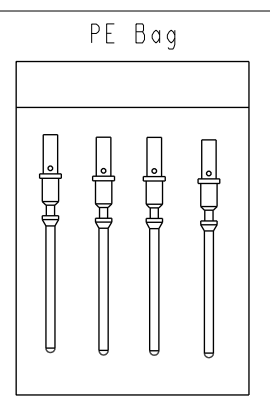
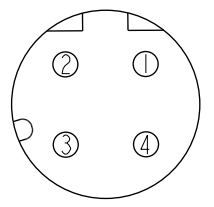
THIS DOCUMENT IS SUBJECT TO CHANGE WITHOUT NOTICE. IT IS CONFIDENTIAL AND A PROPERTY OF Amphenol LTW. DISCLOSURE TO THIRD PARTY HAS TO BE AUTHORIZED BY Amphenol LTW.

REV.	ECN NO.	DATE	SIGN	DESCRIPTION
E	C210561	2021/04/13	Vicky	X3
F	C210977	2021/06/23	Vicky	X1
G	C221877	2022/12/09	Ruru	X1

MI2D-XXBMMC-SL7001
 XX: No. Of Pin

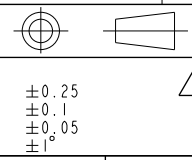


- Note:
- * RoHS Compliant
 - * \varnothing Important Dimension
 - * Waterproof rate: IP67, mated
 - * Connector
 - Housing: Thermoplastic, Black
 - Pin: Copper alloy, Gold plated
 - Extension Nut: Thermoplastic, Black
 - Nut: Metal
 - O-Ring: Rubber, Gray
 - * Clamp Ring: Thermoplastic, Black
 - * Sealing Nut: Thermoplastic, Black
 - * Seal: Rubber, Gray, OD: \varnothing 4.0mm~ \varnothing 8.0mm
 - * Applicable wire gauge: 20AWG~24AWG
 - * One set unassembled in one pe bag



UNIT:mm

TOLERANCE	
.X	±0.25
.XX	±0.1
.XXX	±0.05
ANGLES	±1°



TITLE			
N SEN, M12 D, SCREW			
CABLE W/O SR, M, M, FI/PANEL CRIMP			
SCALE	SIZE	SHEET	OF
Free	A4	1	1
REV.	WC-REV.	\varnothing Inspection item	
G	.0		

Amphenol LTW
 安費諾亮泰企業股份有限公司

ITEM NO	DRAWN BY	DATE
	Xiaofeng	2019/12/17
DWG NO	CHECKED BY	DATE
MI2D-XXBMMC-SL7001	Li-Feng	2019/12/17
CUSTOMER	APPROVED BY	DATE
ALTW	Jerry	2019/12/17