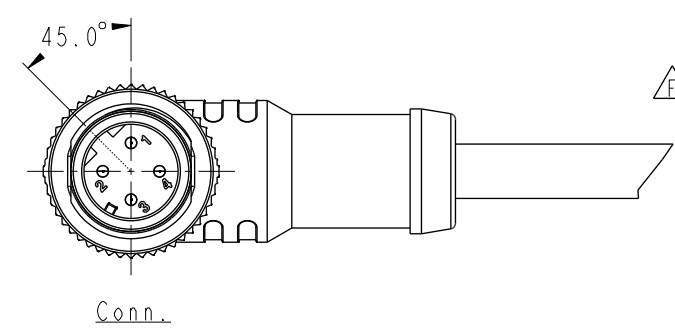
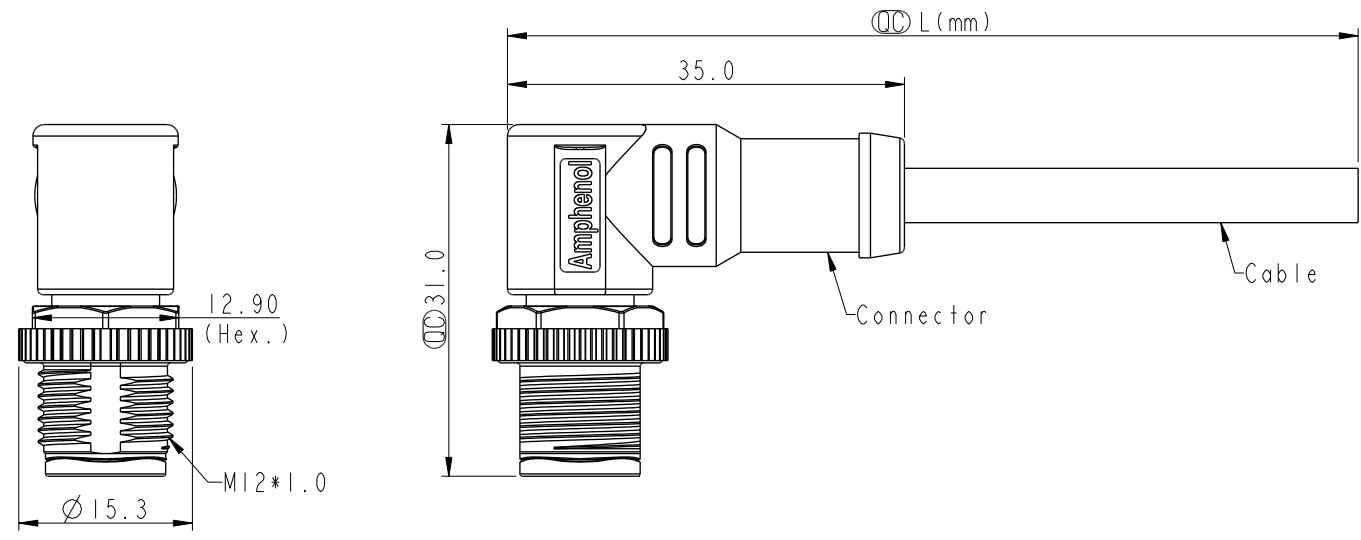


THIS DOCUMENT IS SUBJECT TO CHANGE WITHOUT NOTICE. IT IS CONFIDENTIAL AND A PROPERTY OF Amphenol LTW. DISCLOSURE TO THIRD PARTY HAS TO BE AUTHORIZED BY Amphenol LTW.

REV.	ECN NO.	DATE	SIGN	DESCRIPTION
D	C210025	2021/01/19	Vicky	$\triangle D$ XI
E	C210542	2021/04/08	Ruru	$\triangle E$ X3
F	C221874	2022/12/06	Ruru	$\triangle F$ XI



- Note: $\triangle B \triangle C \triangle D \triangle E$
- * RoHS Compliant
 - * CC Important dimension
 - $\triangle F$ * Waterproof rate: IP68, mated 1m/24h
IP69K, mated
 - * Connector
 - Housing: Thermoplastic, Black
 - Pin: Copper alloy, Gold plated
 - Nut: Metal
 - Outer mold: Thermoplastic, Black
 - * Cable: UL2517, PVC Jacket, Yellow
 - * Cable length tolerance: 1M: +50/-0 mm
1M < L ≤ 3M: +100/-0 mm
3M < L ≤ 5M: +150/-0 mm
5M < L ≤ 10M: ±100 mm
10M < L ≤ 20M: ±200 mm
20M < L ≤ 30M: ±300 mm
30M < L ≤ 99M: ±500 mm

UNIT: mm		
TOLERANCE	±0.5mm	

TITLE N SEN, M12 D, SCREW CABLE W/O SR, M, M, MOLDING $\triangle E$			
SCALE 3:2	SIZE A4	SHEET 1 OF 2	
REV. F	WC-REV. A.2	CC : Inspection item	

Amphenol LTW
安費諾亮泰企業股份有限公司

ITEM NO.	DRAWN BY Yulong_wang	DATE 2016-10-14
DWG NO. $\triangle A$ M12D-XXBMM-SR8AXX	CHECKED BY Jinhai	DATE 2016-10-14
CUSTOMER ALTW	APPROVED BY Jerry	DATE 2016-10-14

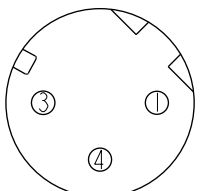
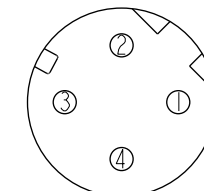
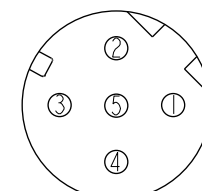
THIS DOCUMENT IS SUBJECT TO CHANGE WITHOUT NOTICE. IT IS CONFIDENTIAL AND A PROPERTY OF Amphenol LTW. DISCLOSURE TO THIRD PARTY HAS TO BE AUTHORIZED BY Amphenol LTW.

△B	5P	5.1	22	MI2D-05BMMM-SR8AXX
	4P	4.8		MI2D-04BMMM-SR8AXX
△B	3P	4.5		MI2D-03BMMM-SR8AXX
	Contacts	Cable OD	AWG	Item No.


△C
MI2D-XXBMMM-SR8AXX

XX: No. Of Pin

XX: 01~99Meters
 01: 01Meter
 02: 02Meters
 .
 99: 99Meters

C	Pin Out	5 --	5 --	5 Gray	灰
		4 Black	4 Black	4 Black	黑
		3 Blue	3 Blue	3 Blue	藍
		2 --	2 White	2 White	白
		1 Brown	1 Brown	1 Brown	棕
		Pin # Wire	Pin # Wire	Pin # Wire	
B	Conn.				
		3P	4P	5P	

Pin Assignments Front View

A	UNIT:mm		TITLE	
	TOLERANCE	±0.5mm	N SEN, MI2 D, SCREW CABLE W/O SR, M, M, MOLDING △E	
	SCALE	3:2	SIZE	A4
	REV.	F	WC-REV.	A.2
			SHEET	2 OF 2
			Ⓢ: Inspection item	

Amphenol LTW
安費諾亮泰企業股份有限公司

ITEM NO	DRAWN BY	DATE
	Yulong_wang	2016-10-14
DWG NO	CHECKED BY	DATE
△C MI2D-XXBMMM-SR8AXX	Jinhai	2016-10-14
CUSTOMER	APPROVED BY	DATE
ALTW	Jerry	2016-10-14