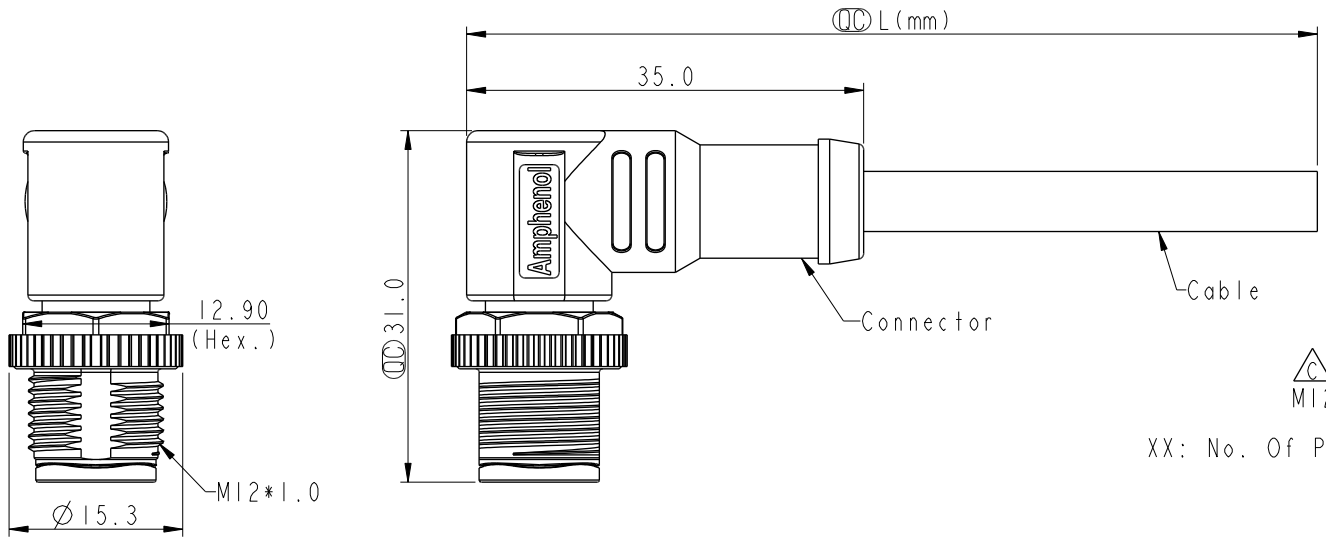


THIS DOCUMENT IS SUBJECT TO CHANGE WITHOUT NOTICE. IT IS CONFIDENTIAL AND A PROPERTY OF Amphenol LTW. DISCLOSURE TO THIRD PARTY HAS TO BE AUTHORIZED BY Amphenol LTW.

REV.	ECN NO.	DATE	SIGN	DESCRIPTION
D	C210025	2021/01/19	Vicky	△D X1
E	C210542	2021/04/08	Ruru	△E X2
F	C221874	2022/12/06	Ruru	△F X1



△C
M12D-XXBMMM-SR8EXX

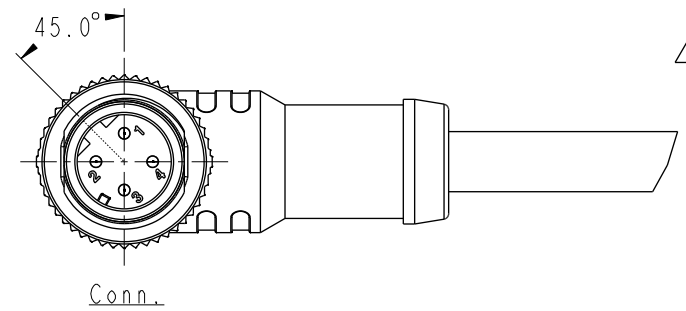
XX: No. Of Pin

- XX:01~99Meters
- 01:01Meter
- 02:02Meters
- ...
- 99:99Meters

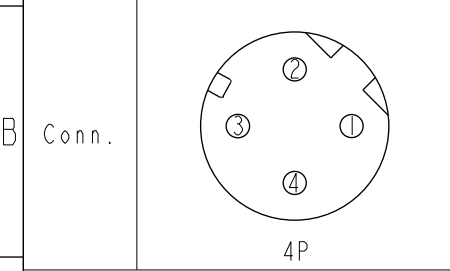
Note: △B △C △D △E

- * RoHS Compliant
- * △C Important dimension
- △F * Waterproof rate: IP68, mated 1m/24h
IP69K, mated

- * Connector
- Housing: Thermoplastic, Black
- Pin: Copper alloy, Gold plated
- Nut: Metal
- Outer mold: Thermoplastic, Black
- * Cable: CAT-5E, 22#*2P+AL/MY+D, OD=6.2mm, PU Jacket, Black
- * Cable length tolerance: 1M: +50/-0 mm
- 1M < L ≤ 3M: +100/-0 mm
- 3M < L ≤ 5M: +150/-0 mm
- 5M < L ≤ 10M: ±100 mm
- 10M < L ≤ 20M: ±200 mm
- 20M < L ≤ 30M: ±300 mm
- 30M < L ≤ 99M: ±500 mm



Pin Out	Wire (Cat5e)	Color	Twist
4	Green	綠	Twist
2	White/Green	白/綠	Twist
3	Orange	橙	Twist
1	White/Orange	白/橙	Twist



Pin Assignments Front View

UNIT:mm		TITLE	N SEN, M12 D, SCREW CABLE W/O SR, M, M, MOLDING △E		
TOLERANCE	±0.5mm	SCALE	3:2	SIZE	A4
		REV.	F	WC-REV.	A.2
				QC	QC: Inspection item

Amphenol LTW
安費諾亮泰企業股份有限公司

ITEM NO	DRAWN BY	DATE
	Yulong_wang	2016-10-14
DWG NO	CHECKED BY	DATE
△C M12D-XXBMMM-SR8EXX	Jinhai	2016-10-14
CUSTOMER	APPROVED BY	DATE
ALTW	Jerry	2016-10-14