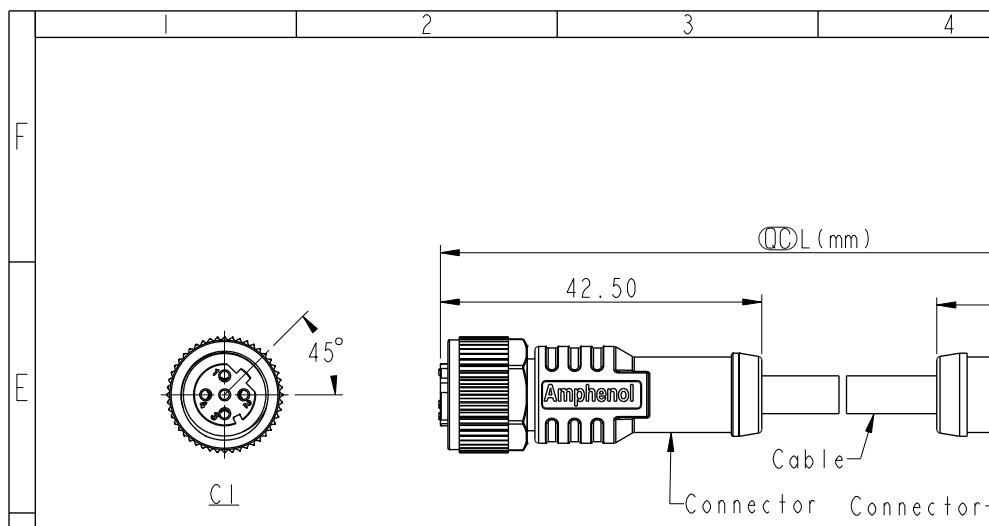


THIS DOCUMENT IS SUBJECT TO CHANGE WITHOUT NOTICE. IT IS CONFIDENTIAL AND A PROPERTY OF AMPHENOL LTW. DISCLOSURE TO THIRD PARTY HAS TO BE AUTHORIZED BY AMPHENOL LTW.

REV.	ECN NO.	DATE	SIGN	DESCRIPTION
B	C201784	2020/11/13	Ruru	$\triangle B$ X3
C	C210235	2021/03/25	Ruru	$\triangle C$ X2
D	C222002	2022/12/29	Ruru	$\triangle D$ X2

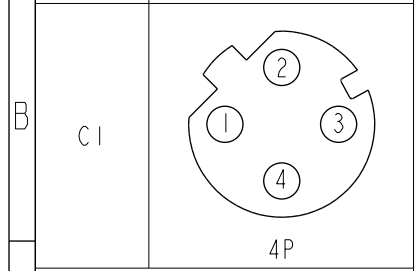
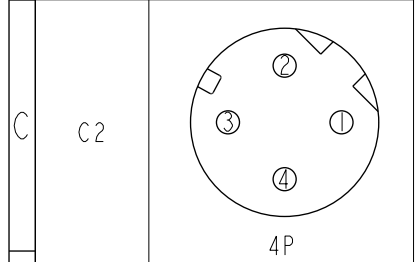


$\triangle B$
MI2DXXFL-12DMR-SDXXX

XX: No. Of Pin

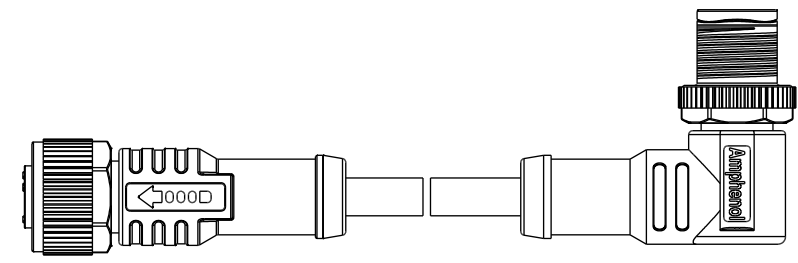
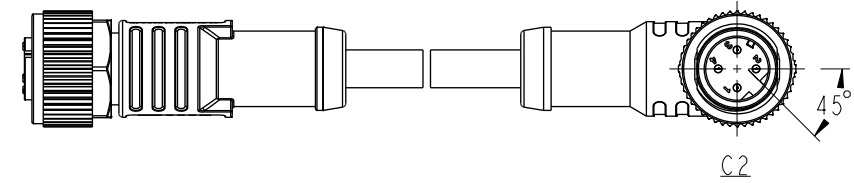
XXX: 0.5~99Meters
 A05: 0.5 Meter
 1: 01 Meter
 2: 02 Meters
 ...
 99: 99 Meters

Pin Out	5 --	黑
	4 Black	藍
	3 Blue	白
	2 White	棕
	1 Brown	
	Pin # Wire	



Pin Assignments Front View

UNIT:mm	
TOLERANCE	± 0.5 mm



Note: $\triangle B$ $\triangle C$

- * RoHS Compliant
- * \odot Important dimension
- * C1
- $\triangle D$ Waterproof rate: IP68, mated 1m/24h
 IP69K, mated
 Housing: Thermoplastic, Black
 Pin: Copper alloy, Gold plated
 O-Ring: Rubber, Green
 Nut: Metal
 Outer mold: Thermoplastic, Black
- * C2
- $\triangle D$ Waterproof rate: IP68, mated 1m/24h
 IP69K, mated
 Housing: Thermoplastic, Black
 Pin: Copper alloy, Gold plated
 Nut: Metal
 Outer mold: Thermoplastic, Black
- * Cable: UL2517, 22#4C, OD=4.8mm, PVC Jacket, Black
- * Cable length tolerance: 0.5M < L \leq 1M: +60/-0 mm
 1M < L \leq 3M: +120/-0 mm
 3M < L \leq 5M: +160/-0 mm
 5M < L \leq 10M: ± 100 mm
 10M < L \leq 20M: ± 200 mm
 20M < L \leq 30M: ± 300 mm
 30M < L \leq 99M: ± 500 mm

TITLE	ACC, SEN, D Code, DB-ENDED FM $\triangle C$		
SCALE	1:2	SIZE	A4
REV.	D	WC-REV.	A.5
		\odot	Inspection item

Amphenol LTW
 安費諾亮泰企業股份有限公司

ITEM NO	MI2DXXFL-12DMR-SDXXX	DRAWN BY	Ruru	DATE	2018-12-11
DWG NO	MI2DXXFL-12DMR-SDXXX	CHECKED BY	Rita	DATE	2018-12-11
CUSTOMER	ALTW	APPROVED BY	Max	DATE	2018-12-11