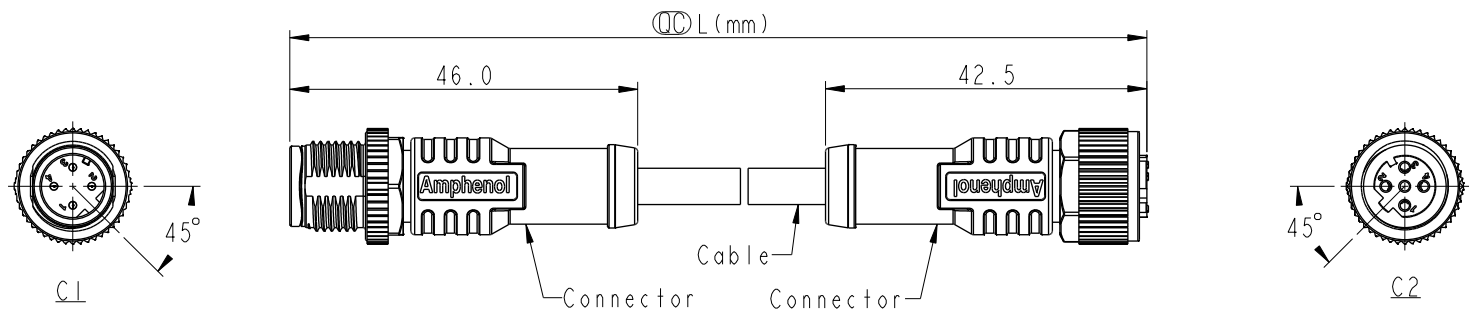
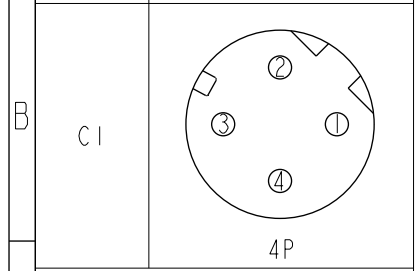
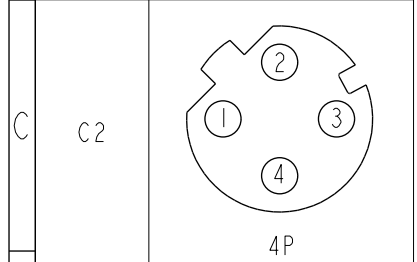


THIS DOCUMENT IS SUBJECT TO CHANGE WITHOUT NOTICE. IT IS CONFIDENTIAL AND A PROPERTY OF AMPHENOL LTW. DISCLOSURE TO THIRD PARTY HAS TO BE AUTHORIZED BY AMPHENOL LTW.

REV.	ECN NO.	DATE	SIGN	DESCRIPTION
B	C201784	2020/11/13	Ruru	$\triangle B$ X3
C	C210235	2021/03/25	Ruru	$\triangle C$ X2
D	C222002	2022/12/29	Ruru	$\triangle D$ X2

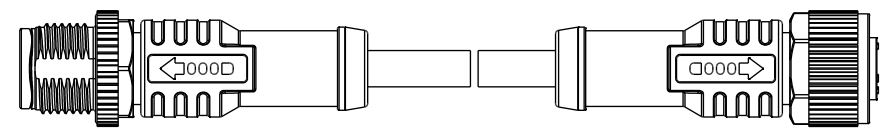


Pin Out	5 --	Black	黑 藍 白 棕
	4	Blue	
	3	White	
	2	Brown	
	1		
		Pin #	Wire



Pin Assignments Front View

UNIT:mm	
TOLERANCE	± 0.5 mm



$\triangle B$ M12DXXML-12DFL-SBXXX

XX: No. Of Pin

XXX: 0.5~99Meters
 A05: 0.5 Meter
 1: 01 Meter
 2: 02 Meters
 :
 99: 99 Meters

Note: $\triangle B$ $\triangle C$

- * RoHS Compliant
- * \odot Important dimension
- * C1
- \triangle Waterproof rate: IP68, mated 1m/24h
IP69K, mated
- Housing: Thermoplastic, Black
- Pin: Copper alloy, Gold plated
- Nut: Metal
- Outer mold: Thermoplastic, Black
- * C2
- \triangle Waterproof rate: IP68, mated 1m/24h
IP69K, mated
- Housing: Thermoplastic, Black
- Pin: Copper alloy, Gold plated
- O-Ring: Rubber, Green
- Nut: Metal
- Outer mold: Thermoplastic, Black
- * Cable: UL20549, 22#4C, OD=4.0mm, PUR Jacket, Black
- * Cable length tolerance: 0.5M < L \leq 1M: +60/-0 mm
 1M < L \leq 3M: +120/-0 mm
 3M < L \leq 5M: +160/-0 mm
 5M < L \leq 10M: ± 100 mm
 10M < L \leq 20M: ± 200 mm
 20M < L \leq 30M: ± 300 mm
 30M < L \leq 99M: ± 500 mm

TITLE ACC, SEN, D Code, DB-ENDED MF $\triangle C$			
SCALE 1:2	SIZE A4	SHEET 1 OF 1	
REV. D	WC-REV. A.5	\odot : Inspection item	

Amphenol LTW
 安費諾亮泰企業股份有限公司

ITEM NO	DRAWN BY Ruru	DATE 2018-12-11
DWG NO $\triangle B$ M12DXXML-12DFL-SBXXX	CHECKED BY Rita	DATE 2018-12-11
CUSTOMER ALTW	APPROVED BY Max	DATE 2018-12-11