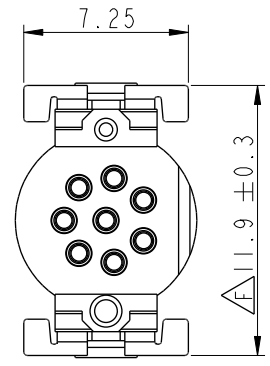
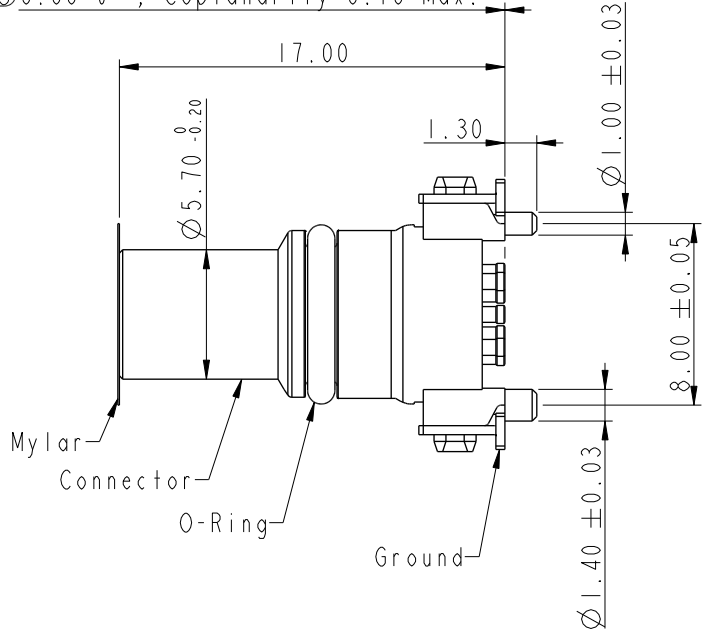


THIS DOCUMENT IS SUBJECT TO CHANGE WITHOUT NOTICE. IT IS CONFIDENTIAL AND A PROPERTY OF AMPHENOL LTW. DISCLOSURE TO THIRD PARTY HAS TO BE AUTHORIZED BY AMPHENOL LTW.

REV.	ECN NO.	DATE	SIGN	DESCRIPTION
E	C211353	2021/08/30	Vicky	$\triangle E$ XI
F	C240227	2024/03/01	Hubert	$\triangle F$ XI
G	C240342	2024/04/12	Vicky	$\triangle G$ XI

$\triangle \textcircled{D}$  0.00  $^{+0.10}_0$ , Coplanarity 0.10 Max.



- $\triangle D$   $\triangle E$  Note:
- \* RoHS Compliant
  - \*  $\textcircled{D}$  Important dimension
  - \* Waterproof rate: Non-Waterproof
  - \* Connector
  - Housing: Thermoplastic, Black
  - Pin: Copper alloy, Gold plated
  - O-Ring: Rubber, Gray
  - \* Ground: Metal
  - \* Mylar: PI, Amber

UNIT: mm		
TOLERANCE		
.X	±0.25	
.XX	±0.1	
.XXX	±0.05	
ANGLES	±1°	

TITLE N SEN, M8, NONE RECEPTACLE, F, F, PCB SMT			$\triangle D$
SCALE 3:1	SIZE A4	SHEET 1 OF 4	
REV. G	WC-REV. A.1	$\textcircled{D}$ : Inspection item	

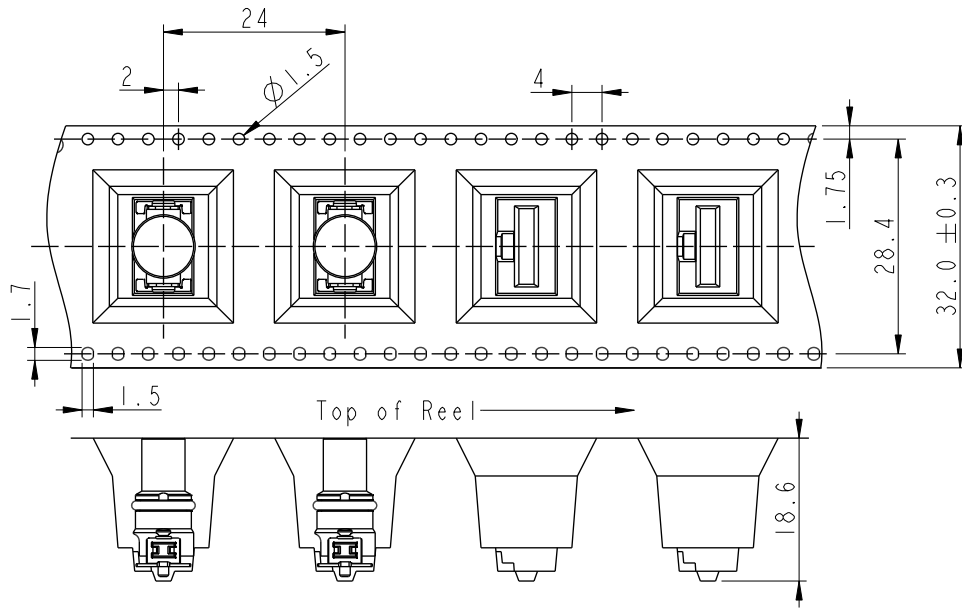
**Amphenol LTW**  
安費諾亮泰企業股份有限公司

ITEM NO.	DRAWN BY Vicky	DATE 2024-04-12
DWG NO. $\triangle B$ M8-XXPFFT-EE0001	CHECKED BY Arvin	DATE 2024-04-12
CUSTOMER ALTW	APPROVED BY Fred	DATE 2024-04-12

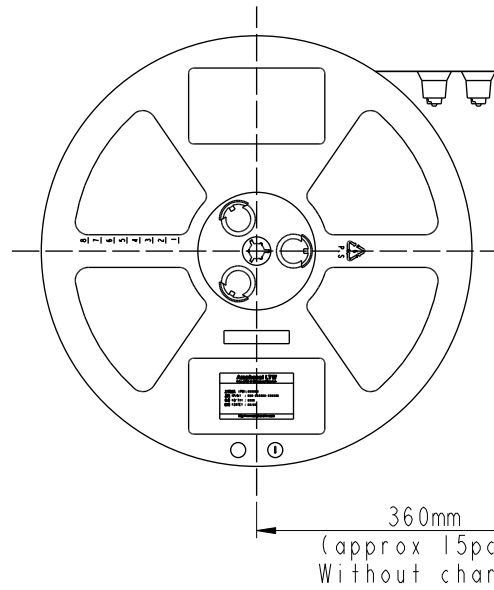
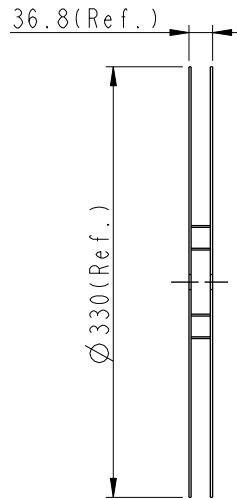


THIS DOCUMENT IS SUBJECT TO CHANGE WITHOUT NOTICE. IT IS CONFIDENTIAL AND A PROPERTY OF Amphenol LTW. DISCLOSURE TO THIRD PARTY HAS TO BE AUTHORIZED BY Amphenol LTW.

Tape & Reel Information:



Note:  
 \* Connector Orientation Follow Drawing



Wide Cover Tape Around  
 Out Periphery 1 Turn

Peeling Strength 0.1~1.3N Max.  
 (300±10mm/min)  
 Peeling Angle  
 165~180°

100 PCS/Reel  
 With Product Charge

360mm  
 (approx 15pcs)  
 Without Charge

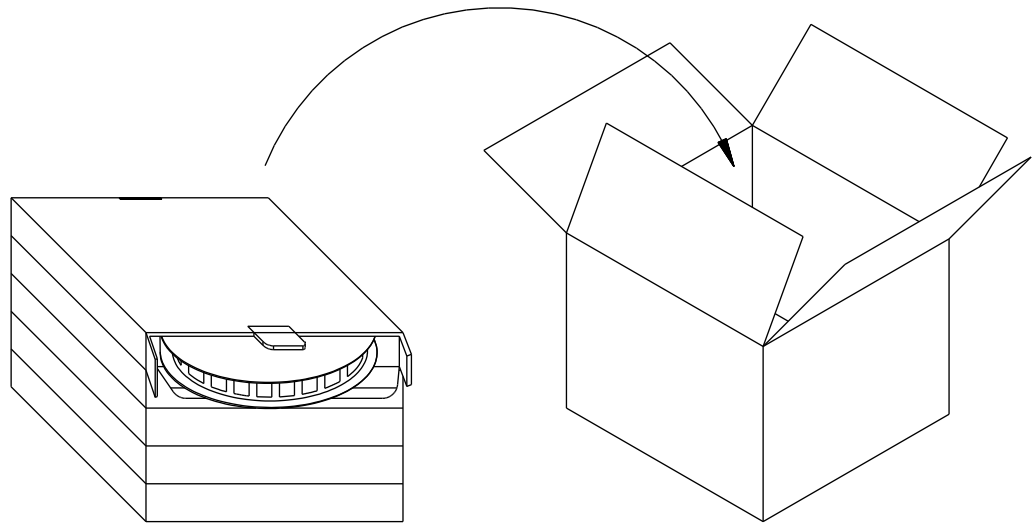
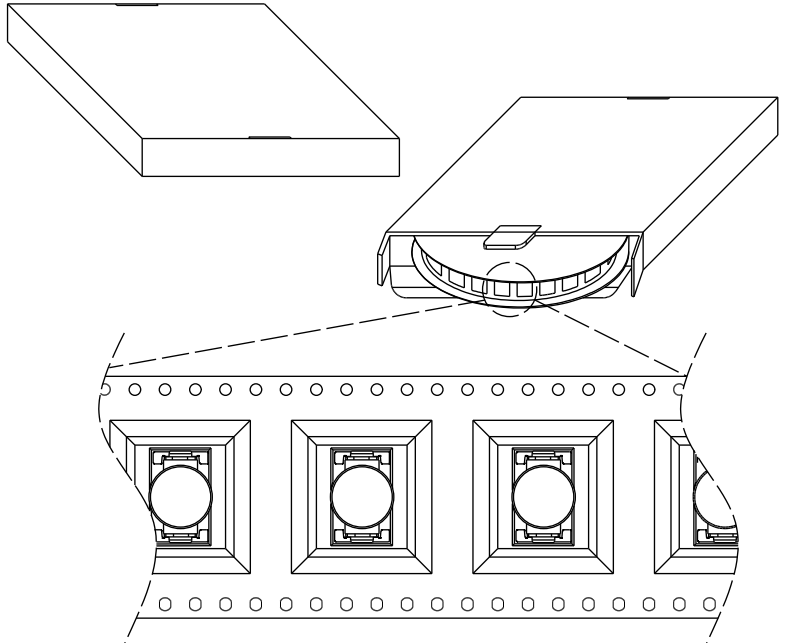
UNIT: mm	
TOLERANCE	
.X	±0.25
.XX	±0.1
.XXX	±0.05
ANGLES	±1°

TITLE N SEN, M8, NONE RECEPTACLE, F, F, PCB SMT			
SCALE Free	SIZE A4	SHEET 3 OF 4	
REV. G	WC-REV. A.1	Inspection item	

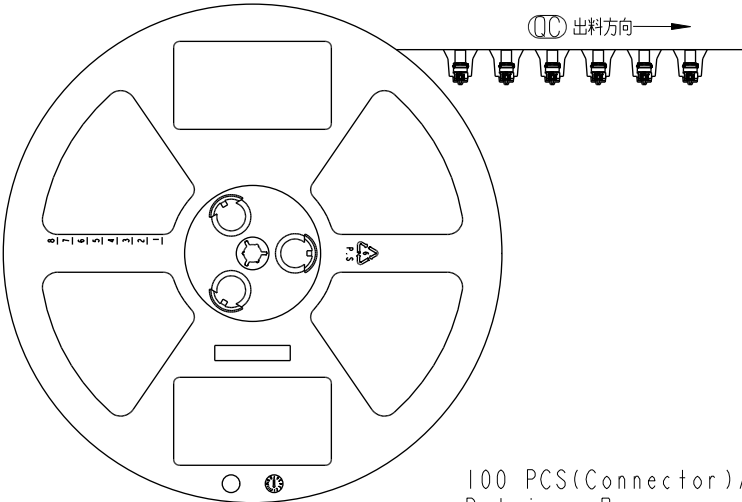
**Amphenol LTW**  
 安費諾亮泰企業股份有限公司

ITEM NO	DRAWN BY Vicky	DATE 2024-04-12
DWG NO M8-XXPFFT-EE0001	CHECKED BY Arvin	DATE 2024-04-12
CUSTOMER ALTW	APPROVED BY Fred	DATE 2024-04-12

THIS DOCUMENT IS SUBJECT TO CHANGE WITHOUT NOTICE. IT IS CONFIDENTIAL AND A PROPERTY OF Amphenol LTW. DISCLOSURE TO THIRD PARTY HAS TO BE AUTHORIZED BY Amphenol LTW.



One Carton can put in the 5PCS(Max.) Box  
(500 PCS/Carton)



100 PCS(Connector)/Tape&Reel,  
Put in a Box

A	UNIT:mm		TITLE N SEN, M8, NONE RECEPTACLE, F, F, PCB SMT		 <b>安費諾亮泰企業股份有限公司</b>	ITEM NO	DRAWN BY Vicky	DATE 2024-04-12
	TOLERANCE .X ±0.25 .XX ±0.1 .XXX ±0.05 ANGLES ±1°	SCALE Free	SIZE A4	SHEET 4 OF 4		DWG NO M8-XXPFPT-EE0001	CHECKED BY Arvin	DATE 2024-04-12
	REV. G	WC-REV. A.1	◎◎: Inspection item			CUSTOMER ALTW	APPROVED BY Fred	DATE 2024-04-12
								8