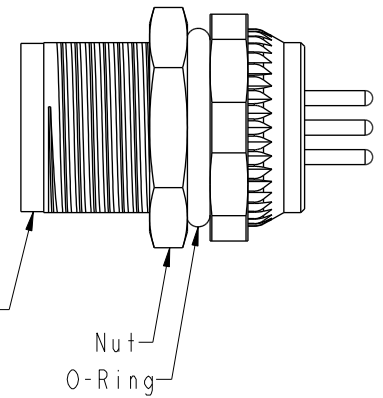
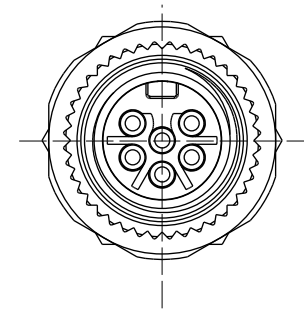
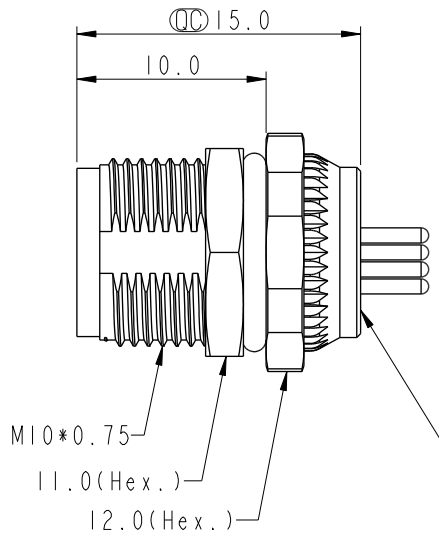
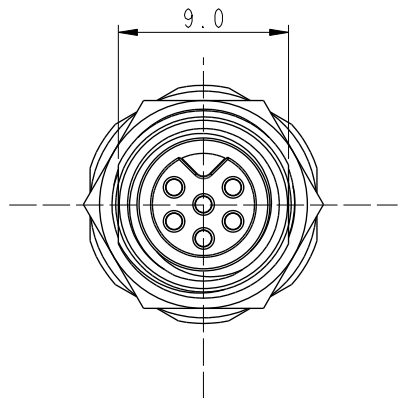
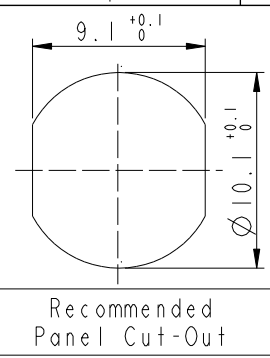


THIS DOCUMENT IS SUBJECT TO CHANGE WITHOUT NOTICE. IT IS CONFIDENTIAL AND A PROPERTY OF AMPHENOL LTW. DISCLOSURE TO THIRD PARTY HAS TO BE AUTHORIZED BY AMPHENOL LTW.

REV.	ECN NO.	DATE	SIGN	DESCRIPTION
A		2021/06/18	Vincent Huang	Rev.01 to A.
B	C221869	2022/12/05	Vicky	XI



防水膠不得超過此貼板面  
(Glue must not be higher than this side)

- Note:
- \* RoHS Compliant
  - \* Important dimension
  - \* Waterproof Rate: IP68, unmated 1m/24h
  - \* Connector
    - Housing: Thermoplastic, Black
    - Pin: Copper alloy, Gold plated
    - O-Ring: Rubber, Green
  - \* Shield: Metal
  - \* Nut: Metal
  - \* O-Ring: Rubber, Green
  - \* For Panel Thickness Max 4.5mm
  - \* For pcb thickness max: 1.6mm
  - \* Nut is packed separately in PE bag

UNIT: mm	
TOLERANCE	
.X	±0.25
.XX	±0.1
.XXX	±0.05
ANGLES	±1°

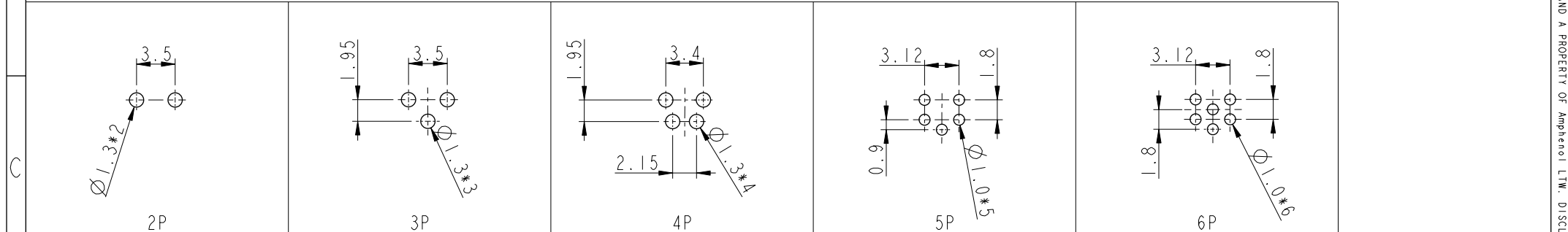
TITLE N SEN, M8 W/KEY, SCREW RECEPTACLE, F, F, PCB S			
SCALE	SIZE	SHEET	OF
1:1	A4	1	2
REV.	WC-REV.	Inspection item	
B	.0		

**Amphenol LTW**  
安費諾亮泰企業股份有限公司

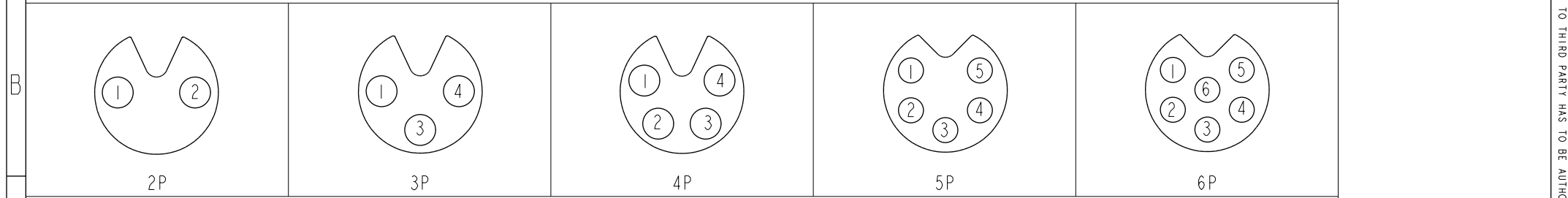
ITEM NO.	DRAWN BY	DATE
	Vincent Huang	2021/06/09
DWG NO.	CHECKED BY	DATE
M8A-XXPFFP-SF8001	Aric Ko	2021/06/09
CUSTOMER	APPROVED BY	DATE
ALTW	Max Yang	2021/06/09

THIS DOCUMENT IS SUBJECT TO CHANGE WITHOUT NOTICE. IT IS CONFIDENTIAL AND A PROPERTY OF Amphenol LTW. DISCLOSURE TO THIRD PARTY HAS TO BE AUTHORIZED BY Amphenol LTW.

F		2	3	4	5	6	7	8
		M8A-XXPFFP-SF8001						
		XX: No. Of Pin						



PCB Layout



Pin Assignments Front View

A	UNIT: mm		TITLE N SEN, M8 W/KEY, SCREW RECEPTACLE, F, F, PCB S	<h2 style="margin: 0;">Amphenol LTW</h2> <p style="margin: 0;">安費諾亮泰企業股份有限公司</p>	ITEM NO	DRAWN BY	DATE
	TOLERANCE .X ±0.25 .XX ±0.1 .XXX ±0.05 ANGLES ±1°		SCALE 1:1 REV. B	SIZE A4 WC-REV. .0 SHEET 2 OF 2 (CC) Inspection item	DWG NO M8A-XXPFFP-SF8001	Vincent Huang CHECKED BY Aric Ko	2021/06/09 DATE 2021/06/09
					CUSTOMER ALTW	APPROVED BY Max Yang	DATE 2021/06/09