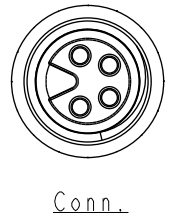
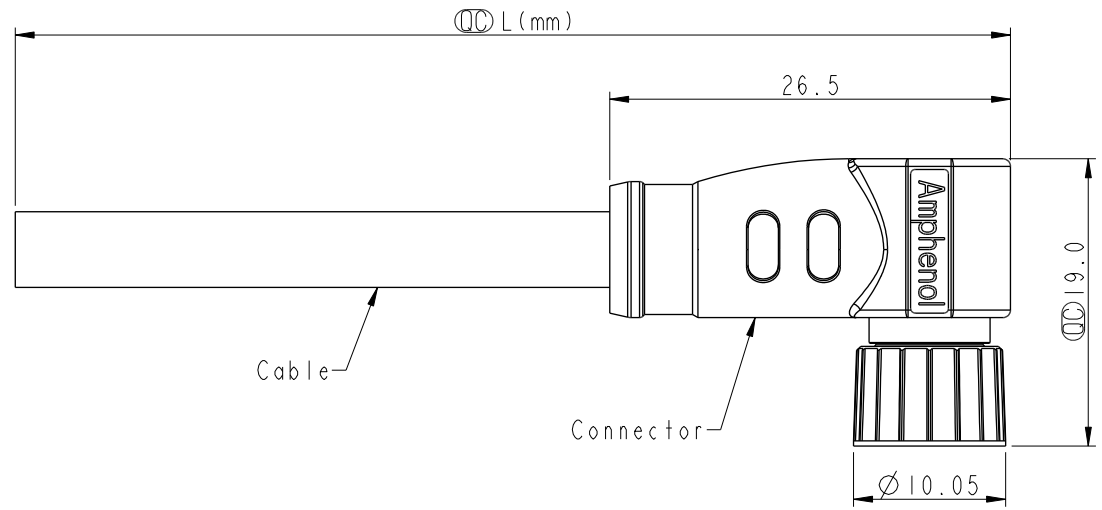


THIS DOCUMENT IS SUBJECT TO CHANGE WITHOUT NOTICE. IT IS CONFIDENTIAL AND A PROPERTY OF Amphenol LTW. DISCLOSURE TO THIRD PARTY HAS TO BE AUTHORIZED BY Amphenol LTW.

REV.	ECN NO.	DATE	SIGN	DESCRIPTION
B	C210007	2020/12/29	Ruru	$\triangle B$ X2
C	C210637	2021/05/05	Vicky	$\triangle C$ X1
D	C221882	2022/12/16	Vicky	$\triangle D$ X1



- $\triangle C$ Note:
- * RoHS Compliant
 - * \circledast Important dimension
 - $\triangle D$ * Waterproof rate: IP67, mated
 - * Connector
 - Housing: Thermoplastic, Black
 - Pin: Copper alloy, Gold plated
 - O-Ring: Rubber, Gray
 - $\triangle B$ Nut: Metal
 - Shield: Metal
 - Outer mold: Thermoplastic, Black
 - * Cable: UL2517, PVC Jacket, Black
 - * Cable length tolerance: 1M: +50/-0 mm
 - 3M < L \leq 5M: +100/-0 mm
 - 5M < L \leq 10M: \pm 100 mm
 - 10M < L \leq 20M: \pm 200 mm
 - 20M < L \leq 30M: \pm 300 mm
 - 30M < L \leq 99M: \pm 500 mm

UNIT: mm			TITLE N SEN, M8W/KEY-SHLD, SCREW CABLE W/O SR, F, F, MOLDING		
TOLERANCE	$\pm 0.5\text{mm}$		SCALE 2:1	SIZE A4	SHEET 1 OF 2
REV. D	WC-REV. A.5	\circledast : Inspection item	Amphenol LTW 安費諾亮泰企業股份有限公司		

ITEM NO.	DRAWN BY Vicky	DATE 2020-04-29
DWG NO. M8AS-XXBFFM-SR7DXX	CHECKED BY Rita	DATE 2020-04-29
CUSTOMER ALTW	APPROVED BY Max	DATE 2020-04-29

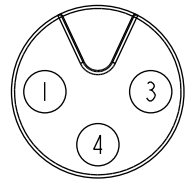
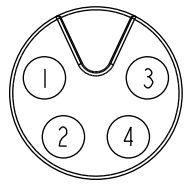
THIS DOCUMENT IS SUBJECT TO CHANGE WITHOUT NOTICE. IT IS CONFIDENTIAL AND A PROPERTY OF Amphenol LTW. DISCLOSURE TO THIRD PARTY HAS TO BE AUTHORIZED BY Amphenol LTW.

4P	5.0	24	M8AS-04BFFM-SR7DXX
3P	4.6		M8AS-03BFFM-SR7DXX
Contacts	Cable OD	AWG	Item No.


M8AS-XXBFFM-SR7DXX

△
XX: No. Of Pin

XX: 01~99Meters
 01: 01 Meter
 02: 02 Meters
 :
 99: 99 Meters

Pin Out	Shield	Braid	Shield	Braid
	4	Black	4	Black
	3	Blue	3	Blue
	1	Brown	2	White
			1	Brown
	Pin #	Wire	Pin #	Wire
Conn.				
	3P		4P	

Pin Assignments Front View

UNIT:mm		TITLE
TOLERANCE	±0.5mm	N SEN, M8W/KEY-SHLD, SCREW CABLE W/O SR, F, F, MOLDING
SCALE	1:1	SIZE A4
REV.	D	SHEET 2 OF 2
		WC-REV. .0
		☉: Inspection item

Amphenol LTW
 安費諾亮泰企業股份有限公司

ITEM NO	DRAWN BY	DATE
	Vicky	2020-04-29
DWG NO	CHECKED BY	DATE
M8AS-XXBFFM-SR7DXX	Rita	2020-04-29
CUSTOMER	APPROVED BY	DATE
ALTW	Max	2020-04-29