

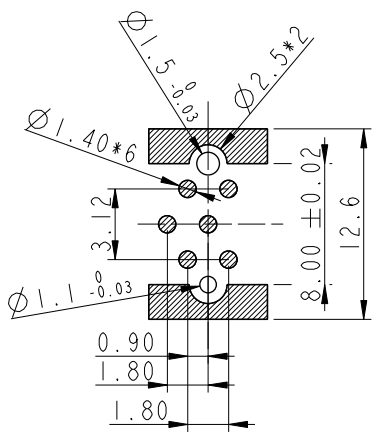
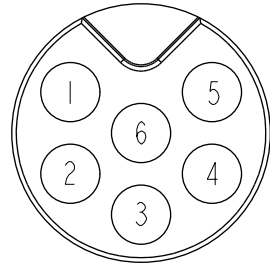
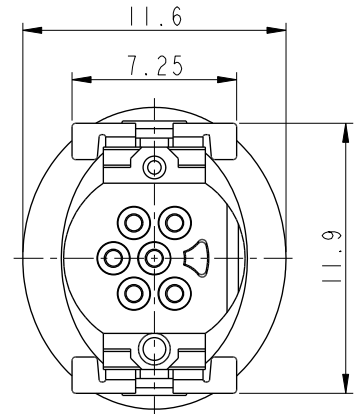
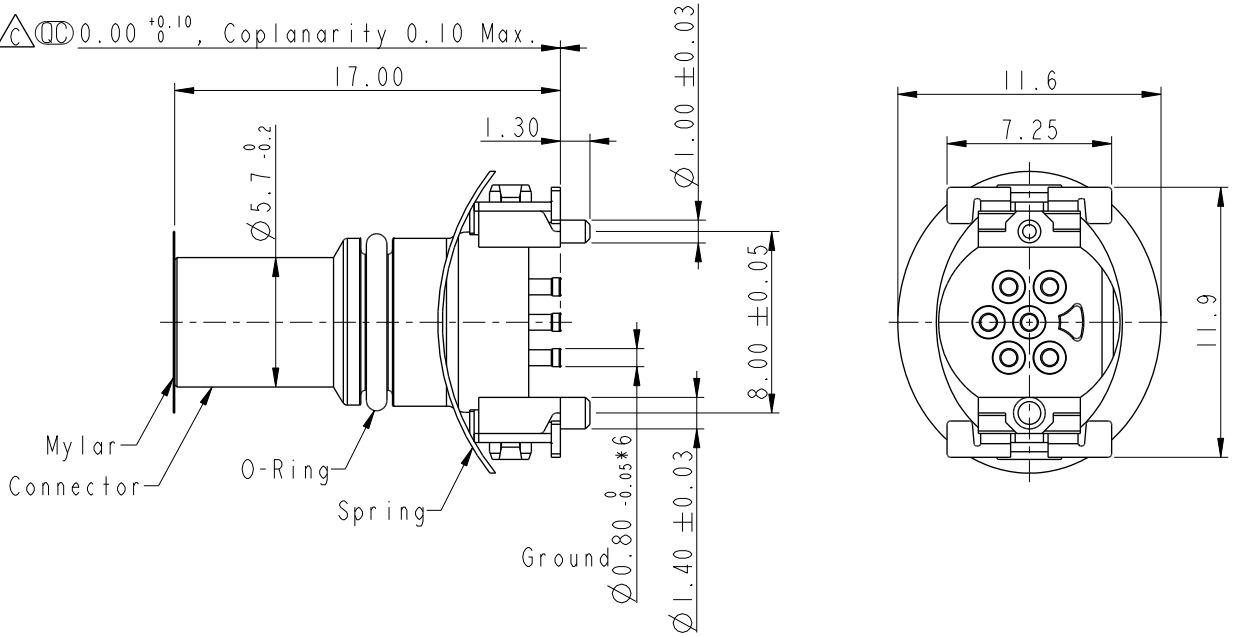
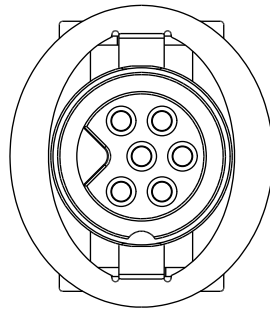
THIS DOCUMENT IS SUBJECT TO CHANGE WITHOUT NOTICE. IT IS CONFIDENTIAL AND A PROPERTY OF AMPHENOL LTW. DISCLOSURE TO THIRD PARTY HAS TO BE AUTHORIZED BY AMPHENOL LTW.

REV.	ECN NO.	DATE	SIGN	DESCRIPTION
A		2020/07/16	Allen Pan	Rev.01 To Rev.A
B	C210686	2021/05/11	Vicky	$\triangle B$ X5
C	C240342	2024/04/12	Vicky	$\triangle C$ XI

M8AS-XXPFFT-EE0001

$\triangle B$  XX: No. Of Pin

$\triangle C$   $\text{\textcircled{C}}$  0.00  $^{+0.10}$ , Coplanarity 0.10 Max.



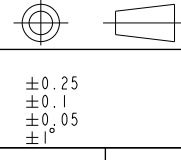
- $\triangle B$  Note:
- \* RoHS Compliant
  - \*  $\text{\textcircled{C}}$  Important dimension
  - \* Waterproof rate: Non-Waterproof
  - \* Connector
  - Housing: Thermoplastic, Black
  - Pin: Copper alloy, Gold plated
  - O-Ring: Rubber, Gray
  - \* Spring: Metal
  - \* Ground: Metal
  - \* Mylar: PI, Amber

6P  
Pin Assignments  
Front View

6P  
PCB Layout

UNIT:mm

TOLERANCE	
.X	±0.25
.XX	±0.1
.XXX	±0.05
ANGLES	±1°



TITLE N SEN, M8W/KEY-SHLD, NONE RECEPTACLE, F, F, PCB SMT				$\triangle B$	
SCALE	3:1	SIZE	A4	SHEET	1 OF 3
REV.	C	WC-REV.	A.1	$\text{\textcircled{C}}$	Inspection item

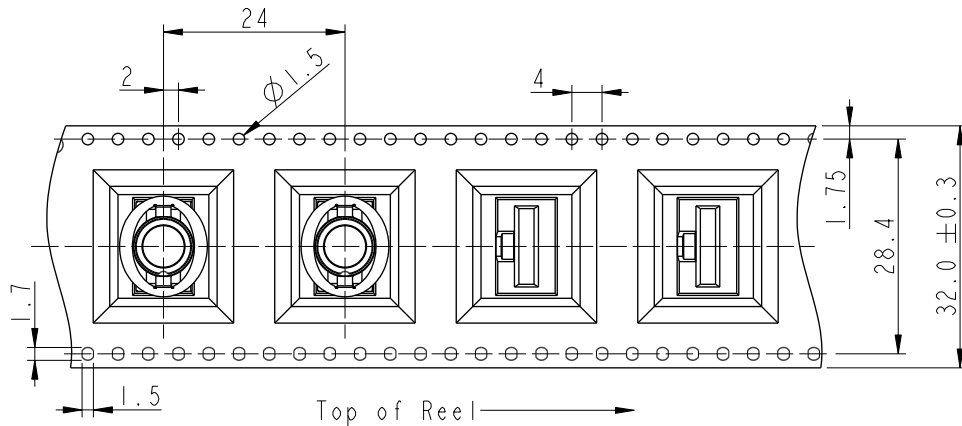
**Amphenol LTW**  
安費諾亮泰企業股份有限公司

ITEM NO		DRAWN BY	Vicky	DATE	2024-04-12
DWG NO	M8AS-XXPFFT-EE0001	CHECKED BY	Arvin	DATE	2024-04-12
CUSTOMER	ALTW	APPROVED BY	Fred	DATE	2024-04-12

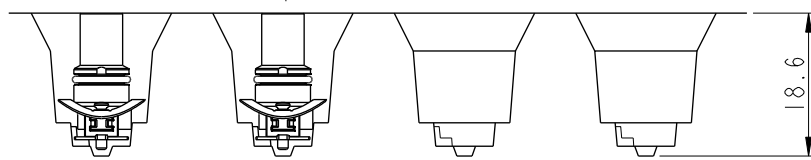
DATE	2024-04-12
DATE	2024-04-12
DATE	2024-04-12

THIS DOCUMENT IS SUBJECT TO CHANGE WITHOUT NOTICE. IT IS CONFIDENTIAL AND A PROPERTY OF Amphenol LTW. DISCLOSURE TO THIRD PARTY HAS TO BE AUTHORIZED BY Amphenol LTW.

Tape & Reel Information:

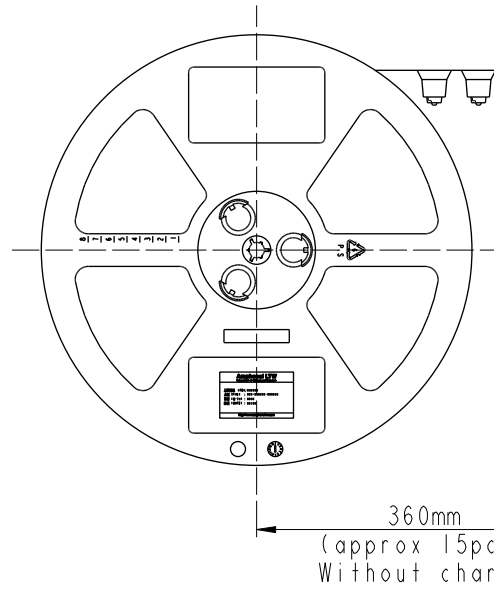
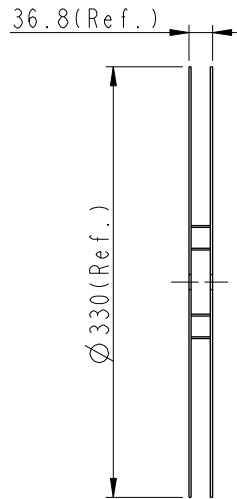


Note:  
 \* Connector Orientation Follow Drawing



Wide Cover Tape Around  
 Out Periphery 1 Turn

Peeling Strength 0.1~1.3N Max.  
 (300±10mm/min)  
 Peeling Angle  
 165~180°



Top of Reel →

100 PCS/Reel  
 With Product Charge

360mm  
 (approx 15pcs)  
 Without Charge

UNIT: mm	
TOLERANCE	
.X	±0.25
.XX	±0.1
.XXX	±0.05
ANGLES	±1°

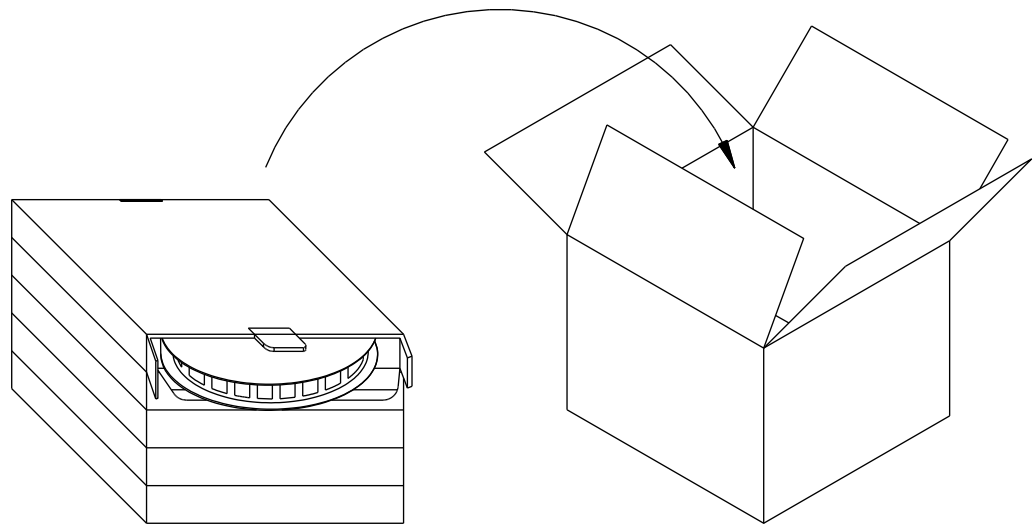
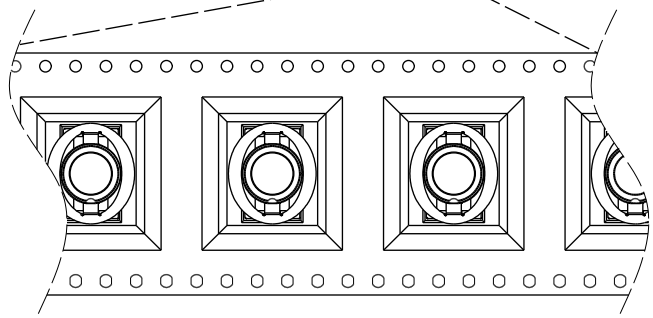
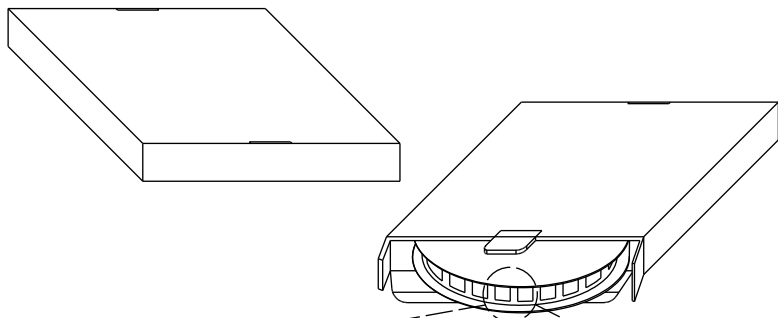
TITLE N SEN, M8W/KEY-SHLD, NONE RECEPTACLE, F, F, PCB SMT			
SCALE Free	SIZE A4	SHEET 2 OF 3	
REV. C	WC-REV. A.1	Inspection item	

**Amphenol LTW**  
 安費諾亮泰企業股份有限公司

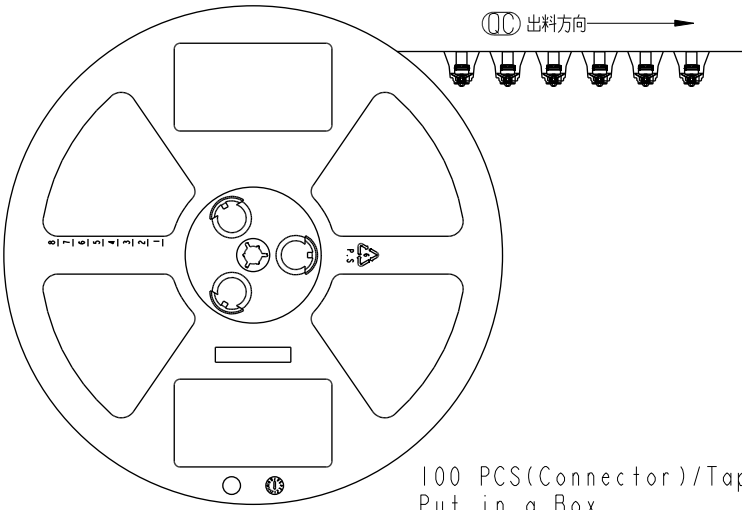
ITEM NO	DRAWN BY Vicky	DATE 2024-04-12
DWG NO M8AS-XXPFFT-EE0001	CHECKED BY Arvin	DATE 2024-04-12
CUSTOMER ALTW	APPROVED BY Fred	DATE 2024-04-12

THIS DOCUMENT IS SUBJECT TO CHANGE WITHOUT NOTICE. IT IS CONFIDENTIAL AND A PROPERTY OF Amphenol LTW. DISCLOSURE TO THIRD PARTY HAS TO BE AUTHORIZED BY Amphenol LTW.

Package:



One Carton can put in the 5PCS(Max.) Box  
(500 PCS/Carton)



100 PCS(Connector)/Tape&Reel,  
Put in a Box

UNIT: mm		
TOLERANCE	.X	±0.25
	.XX	±0.1
	.XXX	±0.05
ANGLES		±1°

TITLE N SEN, M8W/KEY-SHLD, NONE RECEPTACLE, F, F, PCB SMT			
SCALE	SIZE	SHEET	OF
Free	A4	3	3
REV.	WC-REV.	◎◎: Inspection item	
C	A.1		

**Amphenol LTW**  
安費諾亮泰企業股份有限公司

ITEM NO	DWG NO
	M8AS-XXPFFT-EE0001
CUSTOMER	
ALTW	

DRAWN BY	CHECKED BY
Vicky	Arvin
APPROVED BY	
Fred	

DATE	DATE
2024-04-12	2024-04-12
DATE	
2024-04-12	