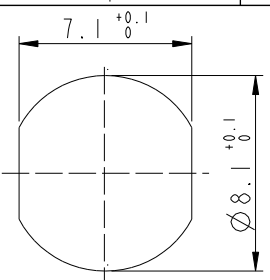
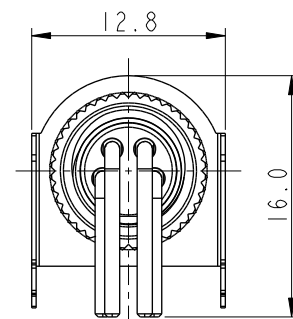
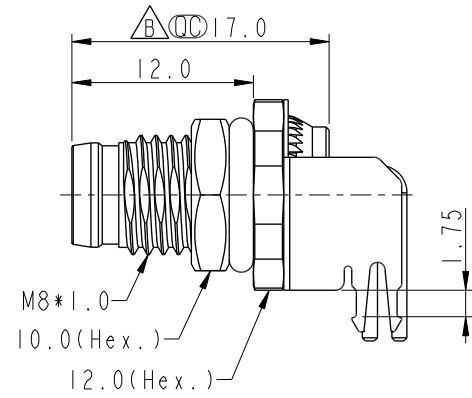
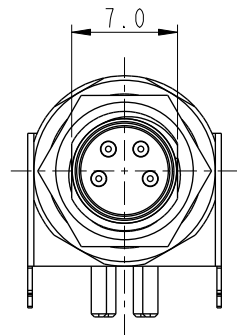


THIS DOCUMENT IS SUBJECT TO CHANGE WITHOUT NOTICE. IT IS CONFIDENTIAL AND A PROPERTY OF Amphenol LTW. DISCLOSURE TO THIRD PARTY HAS TO BE AUTHORIZED BY Amphenol LTW.

REV.	ECN NO.	DATE	SIGN	DESCRIPTION
B	C210686	2021/05/12	Vicky	$\triangle B$ X4
C	C221882	2022/12/19	Vicky	$\triangle C$ XI

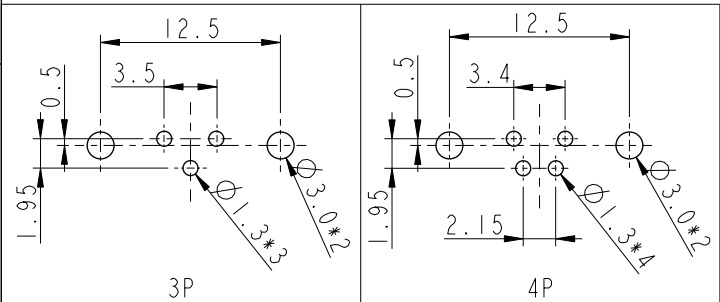


Recommended Panel Cut-Out

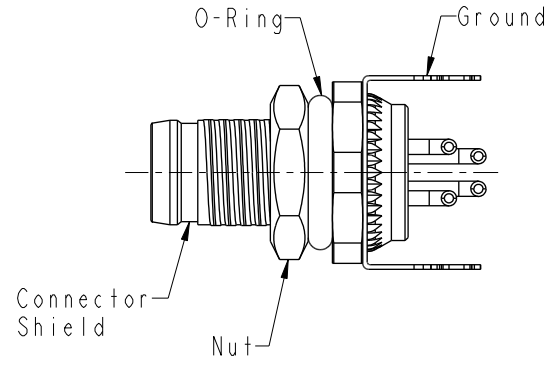


$\triangle B$   
M8S-XXPMMR-SF8001

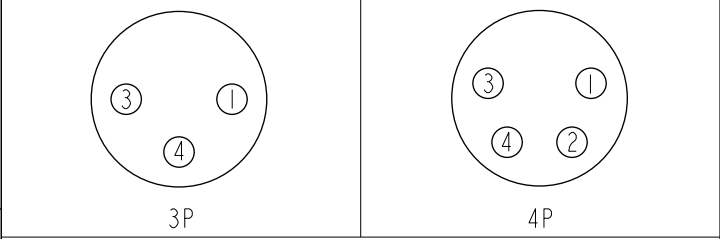
XX: No. Of Pin



PCB Layout



- $\triangle B$  Note:
- \* RoHS Compliant
  - \*  $\text{CC}$  Important dimension
  - $\triangle C$  \* Waterproof rate: IP68, unmated 1m/24h
  - \* Connector
  - Housing: Thermoplastic, Black
  - Pin: Copper alloy, Gold plated
  - \* Shield: Metal
  - \* Ground: Metal
  - \* Nut: Metal
  - \* O-Ring: Rubber, Green
  - \* For panel thickness: 2.0~4.0mm
  - \* For pcb thickness max: 1.6mm
  - \* Nut is packed separately in pe bag



Pin Assignments Front View

UNIT: mm			TITLE	$\triangle B$
TOLERANCE	.X ±0.25	.XX ±0.1	N SEN, M8-SHLD, SCREW RECEPTACLE, M, M, PCB R	
.XXX ±0.05			SCALE 2:1	SIZE A4
ANGLES ±1°			REV. C	WC-REV. A.7
				$\text{CC}$ : Inspection item

**Amphenol LTW**  
安費諾亮泰企業股份有限公司

ITEM NO	DRAWN BY	DATE
	Yulong_wang	2016-01-20
DWG NO	CHECKED BY	DATE
M8S-XXPMMR-SF8001	Cary	2016-01-20
CUSTOMER	APPROVED BY	DATE
ALTW	Jerry	2016-01-20