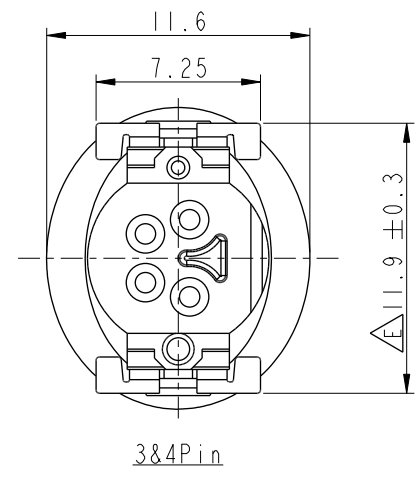
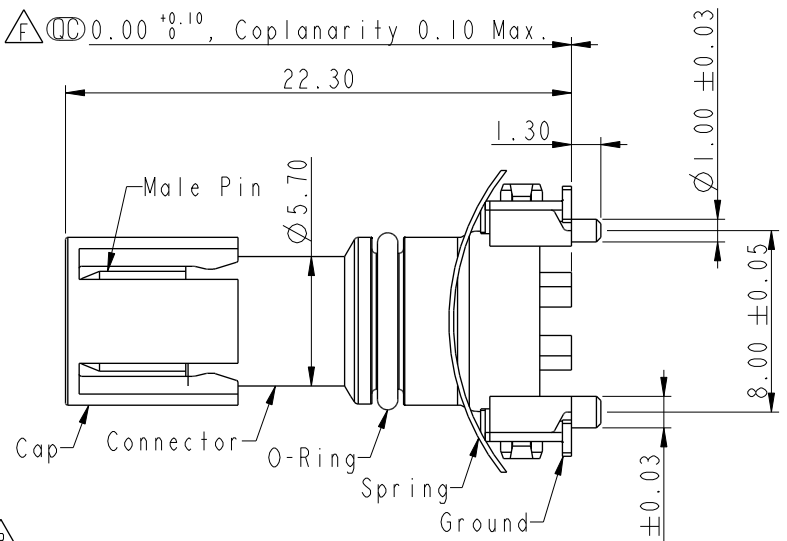


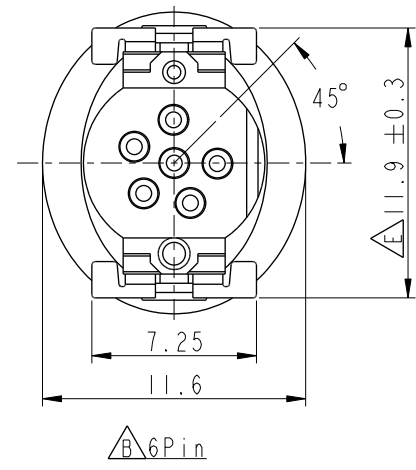
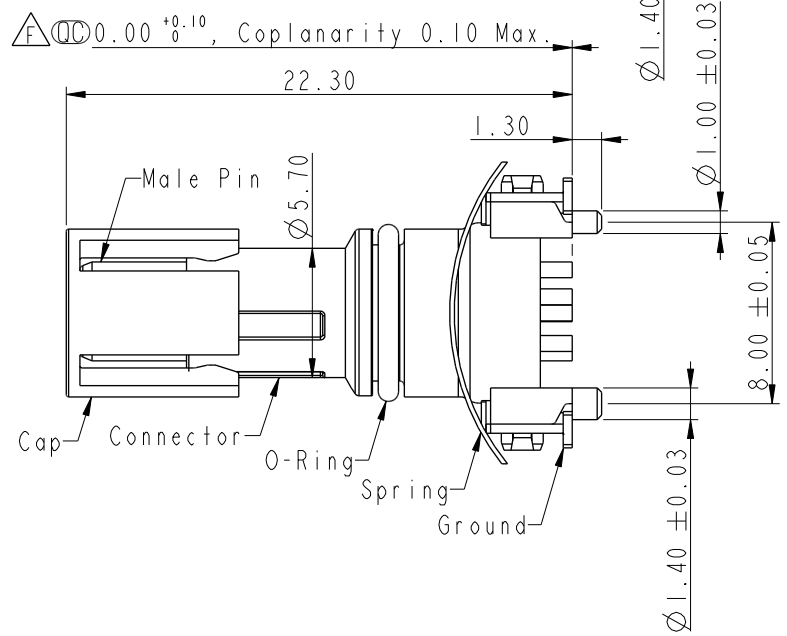
THIS DOCUMENT IS SUBJECT TO CHANGE WITHOUT NOTICE. IT IS CONFIDENTIAL AND A PROPERTY OF AMPHENOL LTW. DISCLOSURE TO THIRD PARTY HAS TO BE AUTHORIZED BY AMPHENOL LTW.

REV.	ECN NO.	DATE	SIGN	DESCRIPTION
D	C220337	2022/03/02	Vicky	$\triangle D$ X1
E	C240227	2024/03/01	Hubert	$\triangle E$ X2
F	C240342	2024/04/12	Vicky	$\triangle F$ X2

$\triangle F$   $\text{CC}$  0.00  $^{+0.10}$ , Coplanarity 0.10 Max.



$\triangle A$   $\text{CC}$  0.00  $^{+0.10}$ , Coplanarity 0.10 Max.



- $\triangle C$  Note:
- \* RoHS Compliant
  - \*  $\text{CC}$  Important dimension
  - \* Waterproof rate: Non-Waterproof
  - \* Connector
  - Housing: Thermoplastic, Black
  - Pin: Copper alloy, Gold plated
  - O-Ring: Rubber, Gray
  - \* Spring: Metal
  - \* Ground: Metal

UNIT: mm		TITLE	$\triangle C$
TOLERANCE		N SEN, M8-SHLD, NONE	
.X	±0.25	RECEPTACLE, M, M, PCB SMT	
.XX	±0.1	SCALE	3:1
.XXX	±0.05	SIZE	A4
ANGLES	±1°	SHEET	1 OF 4
		REV.	F
		WC-REV.	***
		$\text{CC}$ : Inspection item	

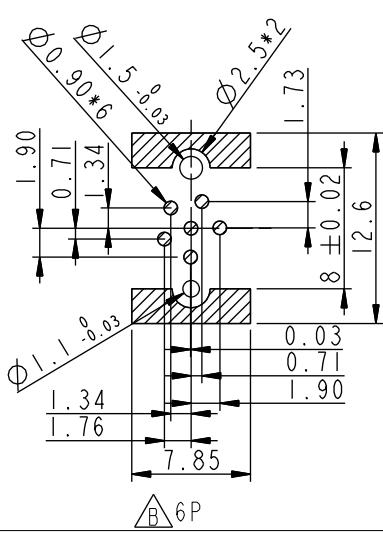
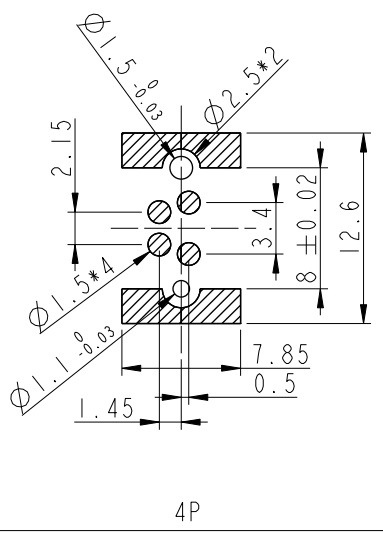
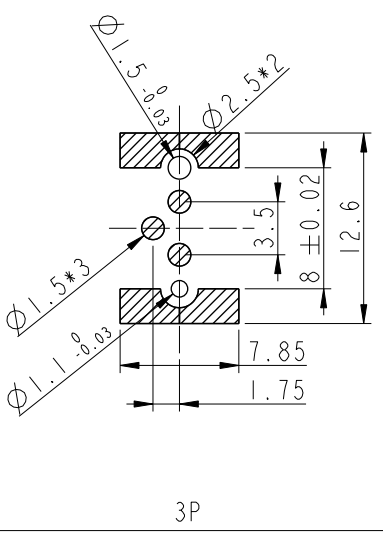
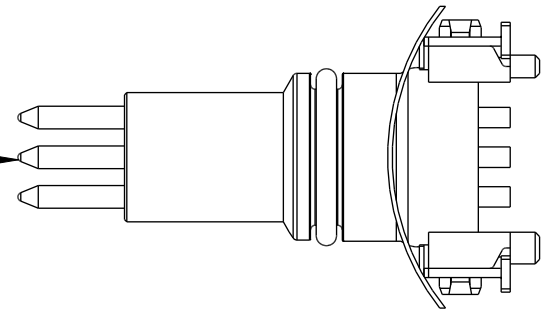
**Amphenol LTW**  
安費諾亮泰企業股份有限公司

ITEM NO	DRAWN BY	DATE
	Vicky	2024-04-12
DWG NO	CHECKED BY	DATE
M8S-XXPMMT-EE0001	Arvin	2024-04-12
CUSTOMER	APPROVED BY	DATE
ALTW	Fred	2024-04-12

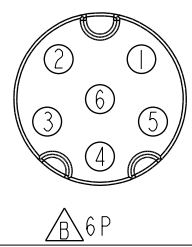
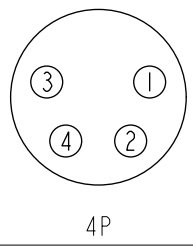
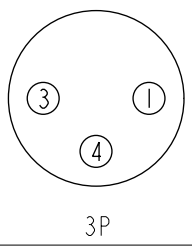
THIS DOCUMENT IS SUBJECT TO CHANGE WITHOUT NOTICE. IT IS CONFIDENTIAL AND A PROPERTY OF Amphenol LTW. DISCLOSURE TO THIRD PARTY HAS TO BE AUTHORIZED BY Amphenol LTW.

△ B M8S-XXPMMT-EE0001  
 △ C XX: No. Of Pin

△ B  
 PCB LAYOUT VIEW DIRECTION →



PCB Layout



Pin Assignments Front View

UNIT: mm		
TOLERANCE	.X	±0.25
	.XX	±0.1
	.XXX	±0.05
ANGLES		±1°

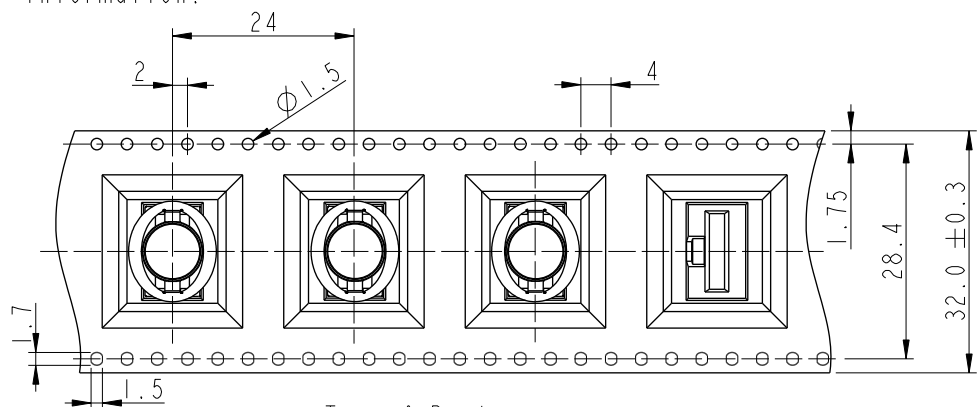
TITLE N SEN, M8-SHLD, NONE RECEPTACLE, M, M, PCB SMT			△ C
SCALE	SIZE	SHEET	OF
Free	A4	2	4
REV.	WC-REV.	◎: Inspection item	
F	***		

**Amphenol LTW**  
 安費諾亮泰企業股份有限公司

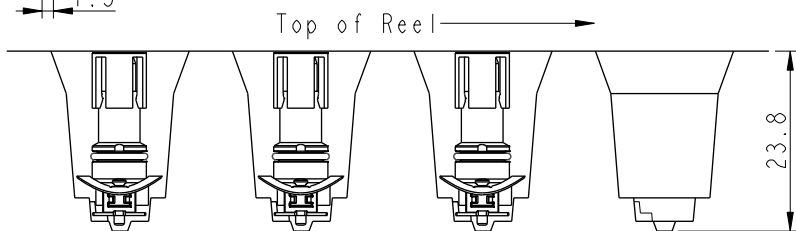
ITEM NO	DRAWN BY	DATE
	Vicky	2024-04-12
DWG NO	CHECKED BY	DATE
M8S-XXPMMT-EE0001	Arvin	2024-04-12
CUSTOMER	APPROVED BY	DATE
ALTW	Fred	2024-04-12

THIS DOCUMENT IS SUBJECT TO CHANGE WITHOUT NOTICE. IT IS CONFIDENTIAL AND A PROPERTY OF Amphenol LTW. DISCLOSURE TO THIRD PARTY HAS TO BE AUTHORIZED BY Amphenol LTW.

Tape & Reel Information:

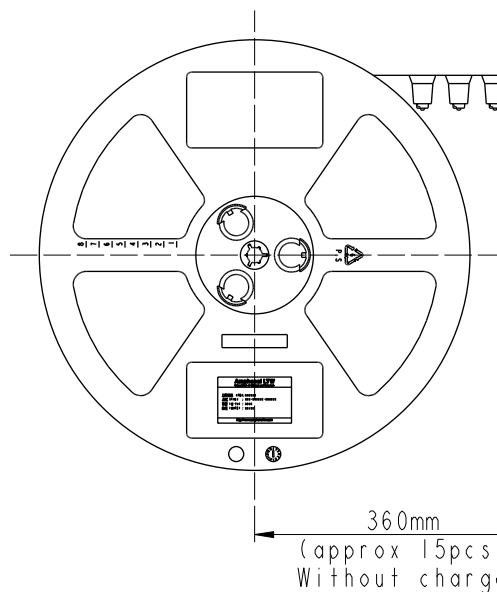
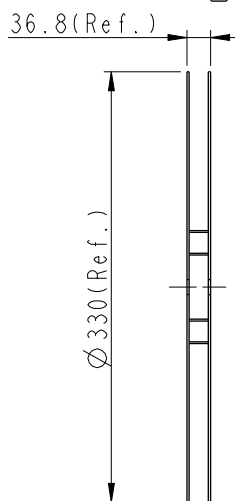


Note:  
 \* Connector Orientation Follow Drawing



Wide Cover Tape Around  
 Out Periphery 1 Turn

Peeling Strength 0.1~1.3N Max.  
 (300±10mm/min)  
 Peeling Angle  
 165~180°

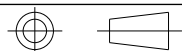


Top of Reel →

100 PCS/Reel  
 With Product Charge

360mm  
 (approx 15pcs)  
 Without Charge

UNIT: mm



TOLERANCE  
 .X ±0.25  
 .XX ±0.1  
 .XXX ±0.05  
 ANGLES ±1°

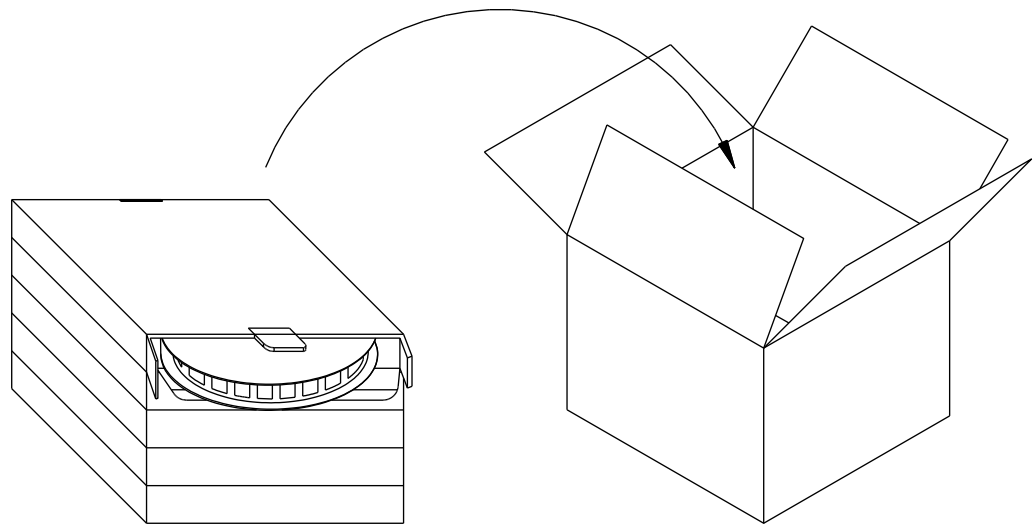
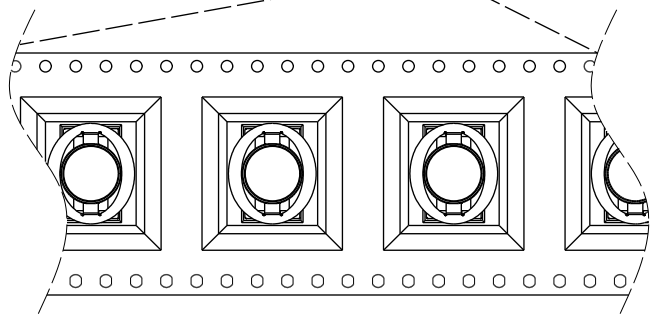
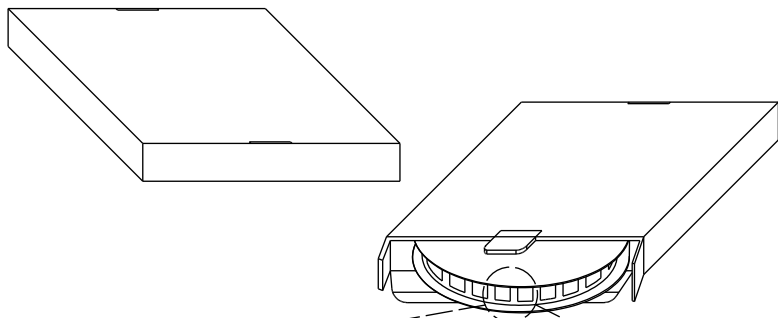
TITLE N SEN, M8-SHLD, NONE RECEPTACLE, M, M, PCB SMT			
SCALE Free	SIZE A4	SHEET 3 OF 4	
REV. F	WC-REV. ***	QC: Inspection item	

**Amphenol LTW**  
 安費諾亮泰企業股份有限公司

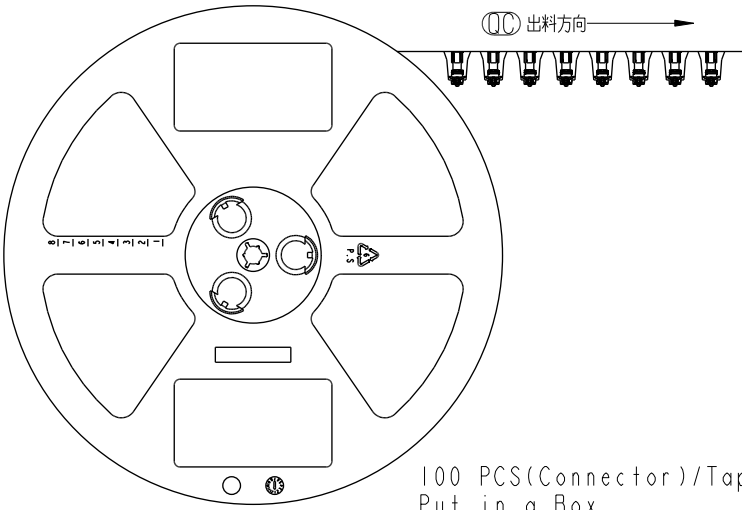
ITEM NO	DRAWN BY Vicky	DATE 2024-04-12
DWG NO M8S-XXPMMT-EE0001	CHECKED BY Arvin	DATE 2024-04-12
CUSTOMER ALTW	APPROVED BY Fred	DATE 2024-04-12

THIS DOCUMENT IS SUBJECT TO CHANGE WITHOUT NOTICE. IT IS CONFIDENTIAL AND A PROPERTY OF Amphenol LTW. DISCLOSURE TO THIRD PARTY HAS TO BE AUTHORIZED BY Amphenol LTW.

Package:



One Carton can put in the 5PCS(Max.) Box  
(500 PCS/Carton)



100 PCS(Connector)/Tape&Reel,  
Put in a Box

UNIT: mm		
TOLERANCE		
.X	±0.25	
.XX	±0.1	
.XXX	±0.05	
ANGLES	±1°	

TITLE N SEN, M8-SHLD, NONE RECEPTACLE, M, M, PCB SMT			
SCALE Free	SIZE A4	SHEET 4 OF 4	
REV. F	WC-REV. ***	QC: Inspection item	

**Amphenol LTW**  
安費諾亮泰企業股份有限公司

ITEM NO	DWG NO M8S-XXPMMT-EE0001
CUSTOMER ALTW	

DRAWN BY Vicky	CHECKED BY Arvin
APPROVED BY Fred	

DATE 2024-04-12	DATE 2024-04-12
DATE 2024-04-12	