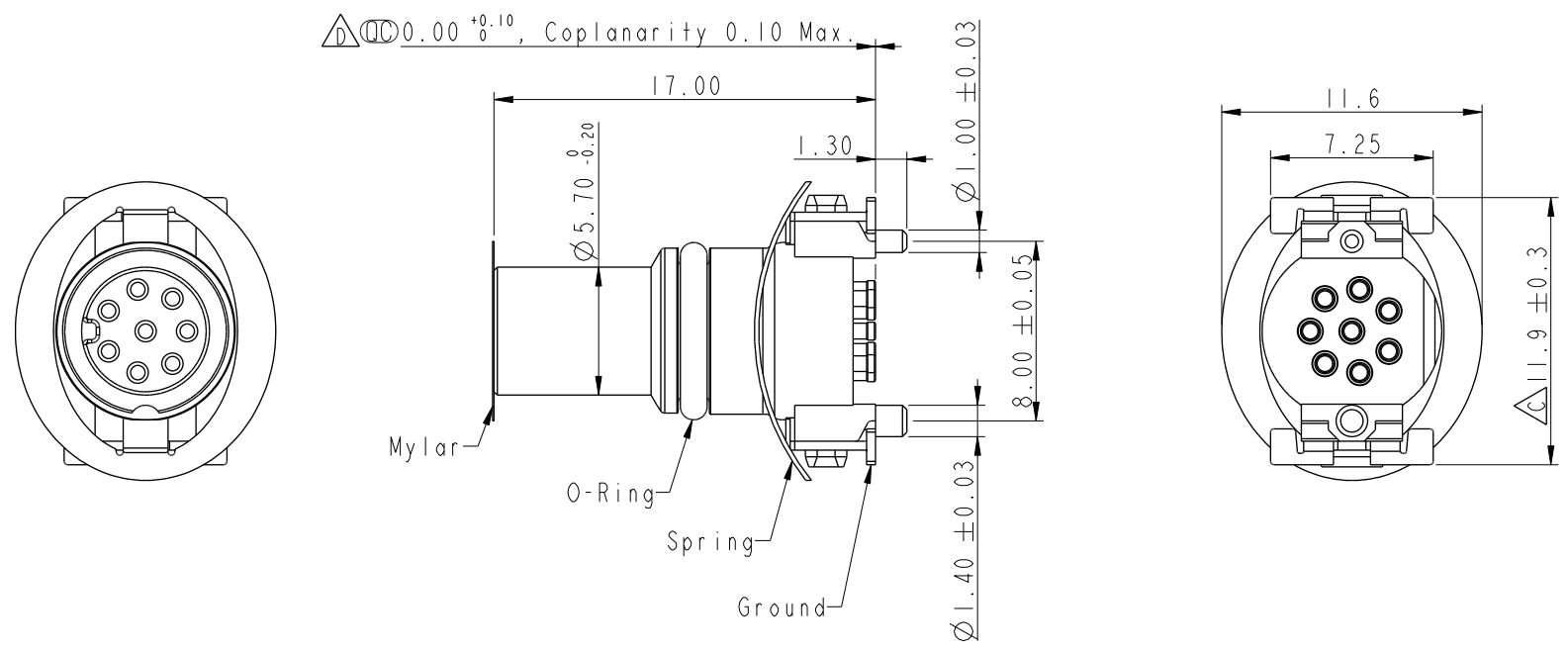


THIS DOCUMENT IS SUBJECT TO CHANGE WITHOUT NOTICE. IT IS CONFIDENTIAL AND A PROPERTY OF AMPHENOL LTW. DISCLOSURE TO THIRD PARTY HAS TO BE AUTHORIZED BY AMPHENOL LTW.

REV.	ECN NO.	DATE	SIGN	DESCRIPTION
B	C210686	2021/05/12	Vicky	$\triangle B$ X6
C	C240227	2024/03/01	Hubert	$\triangle C$ X1
D	C240342	2024/04/12	Vicky	$\triangle D$ X1



- $\triangle B$  Note:
- \* RoHS Compliant
  - \*  $\text{CC}$  Important dimension
  - \* Waterproof rate: Non-Waterproof
  - \* Connector
  - Housing: Thermoplastic, Black
  - Pin: Copper alloy, Gold plated
  - O-Ring: Rubber, Gray
  - \* Spring: Metal
  - \* Ground: Metal
  - \* Mylar: PI, Amber

UNIT: mm		
TOLERANCE		
.X	$\pm 0.25$	
.XX	$\pm 0.1$	
.XXX	$\pm 0.05$	
ANGLES	$\pm 1^\circ$	

TITLE N SEN, M8-SHLD, NONE RECEPTACLE, F, F, PCB SMT			$\triangle B$
SCALE 3:1	SIZE A4	SHEET 1 OF 4	
REV. D	WC-REV. A.1	$\text{CC}$ : Inspection item	

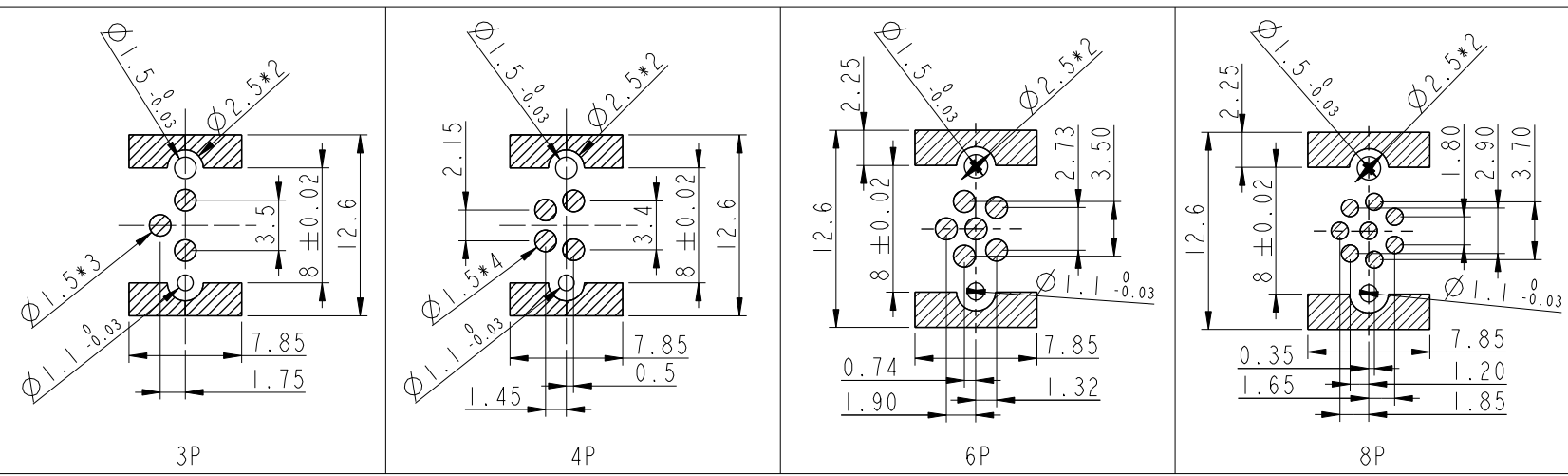
**Amphenol LTW**  
安費諾亮泰企業股份有限公司

ITEM NO.	DRAWN BY Vicky	DATE 2024-04-12
DWG NO. M8S-XXPFFT-EE0001	CHECKED BY Arvin	DATE 2024-04-12
CUSTOMER ALTW	APPROVED BY Fred	DATE 2024-04-12

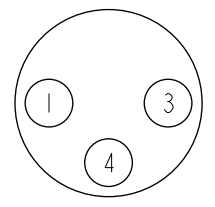
THIS DOCUMENT IS SUBJECT TO CHANGE WITHOUT NOTICE. IT IS CONFIDENTIAL AND A PROPERTY OF Amphenol LTW. DISCLOSURE TO THIRD PARTY HAS TO BE AUTHORIZED BY Amphenol LTW.

M8S-XXPFFT-EE0001

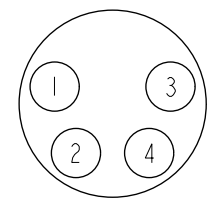
△XX: No. Of Pin



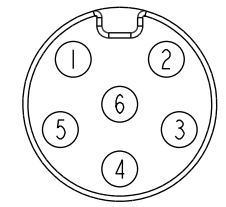
PCB Layout



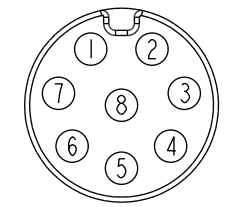
3P



4P



6P



8P

Pin Assignments Front View

UNIT: mm		
TOLERANCE	.X	±0.25
	.XX	±0.1
	.XXX	±0.05
ANGLES		±1°

TITLE N SEN, M8-SHLD, NONE RECEPTACLE, F, F, PCB SMT			△B
SCALE Free	SIZE A4	SHEET 2 OF 4	
REV. D	WC-REV. A.1	☉: Inspection item	

**Amphenol LTW**  
安費諾亮泰企業股份有限公司

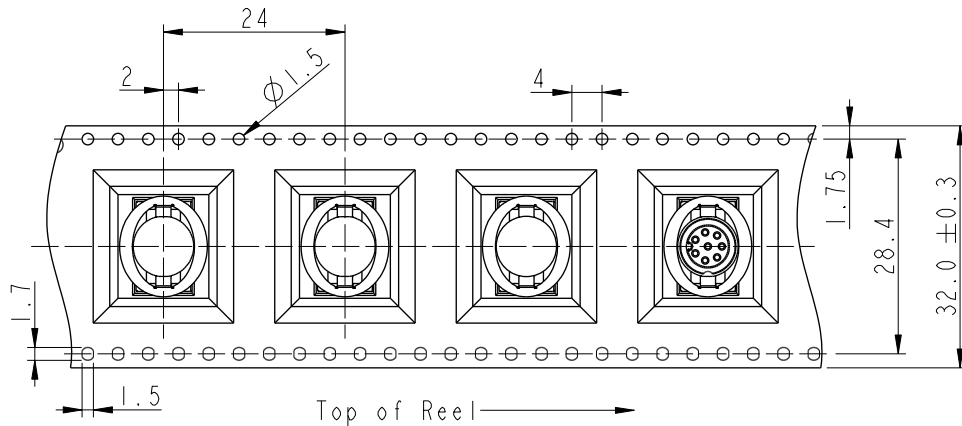
ITEM NO	DWG NO
	M8S-XXPFFT-EE0001
CUSTOMER	ALTW

DRAWN BY	Vicky
CHECKED BY	Arvin
APPROVED BY	Fred

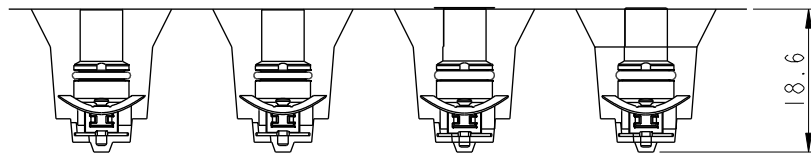
DATE	2024-04-12
DATE	2024-04-12
DATE	2024-04-12

THIS DOCUMENT IS SUBJECT TO CHANGE WITHOUT NOTICE. IT IS CONFIDENTIAL AND A PROPERTY OF Amphenol LTW. DISCLOSURE TO THIRD PARTY HAS TO BE AUTHORIZED BY Amphenol LTW.

Tape & Reel Information:

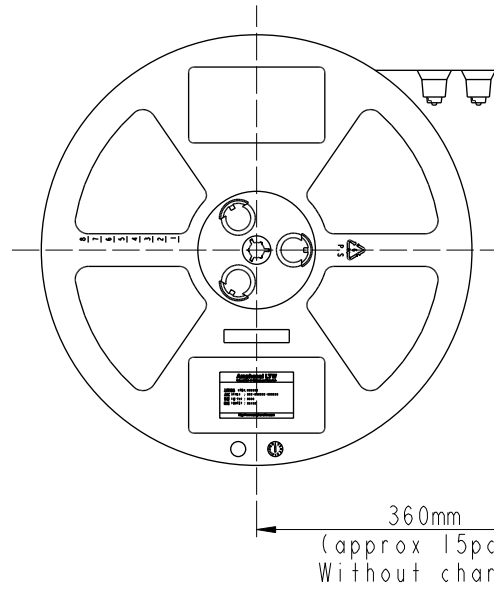
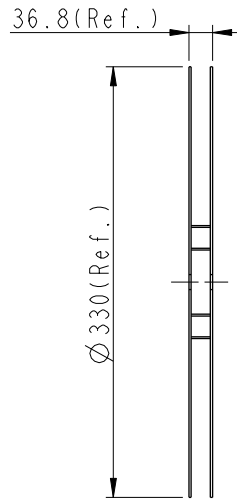


Note:  
 \* Connector Orientation Follow Drawing



Wide Cover Tape Around  
 Out Periphery 1 Turn

Peeling Strength 0.1~1.3N Max.  
 (300±10mm/min)  
 Peeling Angle  
 165~180°



100 PCS/Reel  
 With Product Charge

360mm  
 (approx 15pcs)  
 Without Charge

UNIT: mm	
TOLERANCE	
.X	±0.25
.XX	±0.1
.XXX	±0.05
ANGLES	±1°

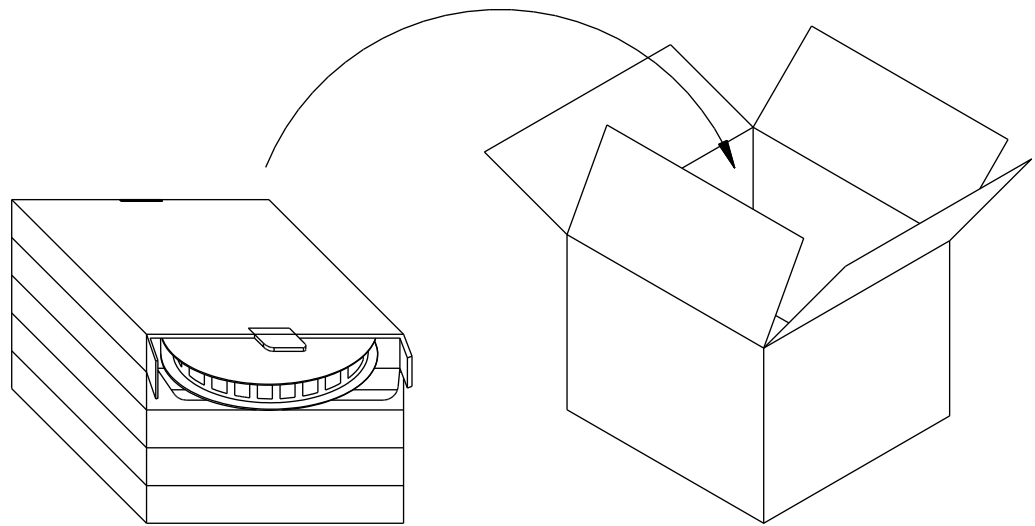
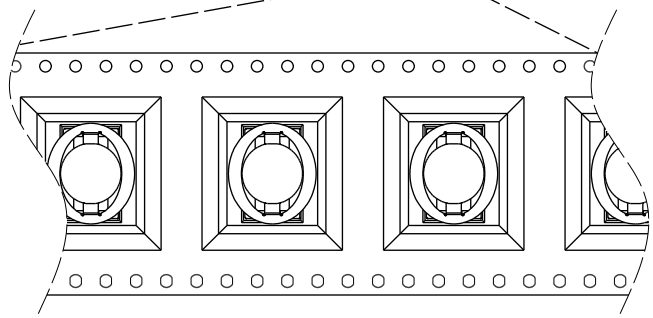
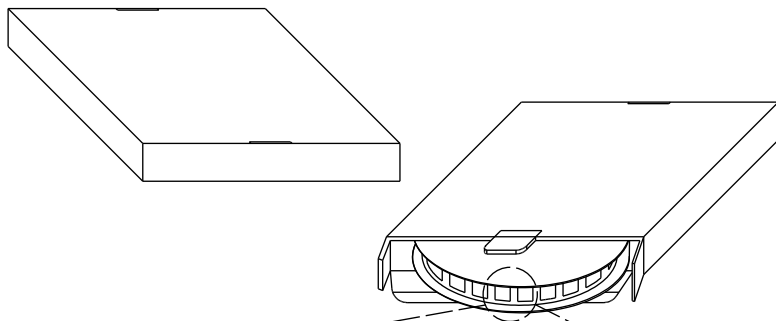
TITLE N SEN, M8-SHLD, NONE RECEPTACLE, F, F, PCB SMT			
SCALE Free	SIZE A4	SHEET 3 OF 4	
REV. D	WC-REV. A.1	Inspection item	

**Amphenol LTW**  
 安費諾亮泰企業股份有限公司

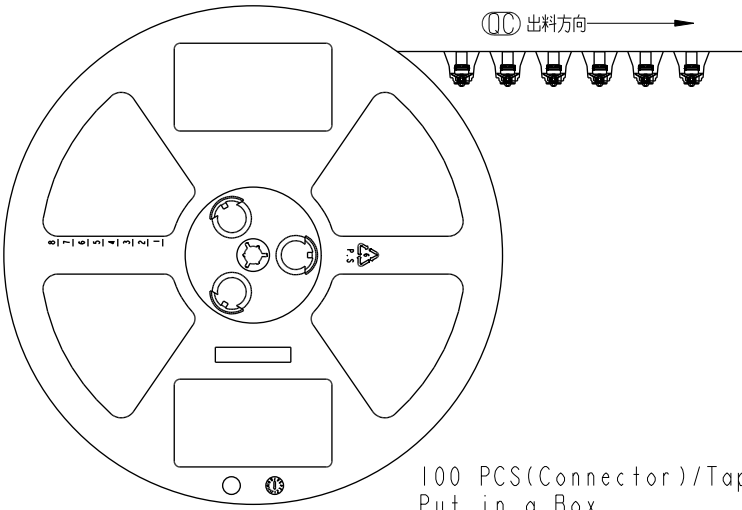
ITEM NO	DRAWN BY Vicky	DATE 2024-04-12
DWG NO M8S-XXPFFT-EE0001	CHECKED BY Arvin	DATE 2024-04-12
CUSTOMER ALTW	APPROVED BY Fred	DATE 2024-04-12

THIS DOCUMENT IS SUBJECT TO CHANGE WITHOUT NOTICE. IT IS CONFIDENTIAL AND A PROPERTY OF Amphenol LTW. DISCLOSURE TO THIRD PARTY HAS TO BE AUTHORIZED BY Amphenol LTW.

Package:



One Carton can put in the 5PCS(Max.) Box  
(500 PCS/Carton)



100 PCS(Connector)/Tape&Reel,  
Put in a Box

UNIT:mm		
TOLERANCE	.X	±0.25
	.XX	±0.1
	.XXX	±0.05
ANGLES		±1°

TITLE N SEN, M8-SHLD, NONE RECEPTACLE, F, F, PCB SMT			
SCALE	SIZE	SHEET	OF
Free	A4	4	4
REV.	WC-REV.	◎◎: Inspection item	
D	A.1		

**Amphenol LTW**  
安費諾亮泰企業股份有限公司

ITEM NO	DRAWN BY	DATE
	Vicky	2024-04-12
DWG NO	CHECKED BY	DATE
M8S-XXPFFT-EE0001	Arvin	2024-04-12
CUSTOMER	APPROVED BY	DATE
ALTW	Fred	2024-04-12