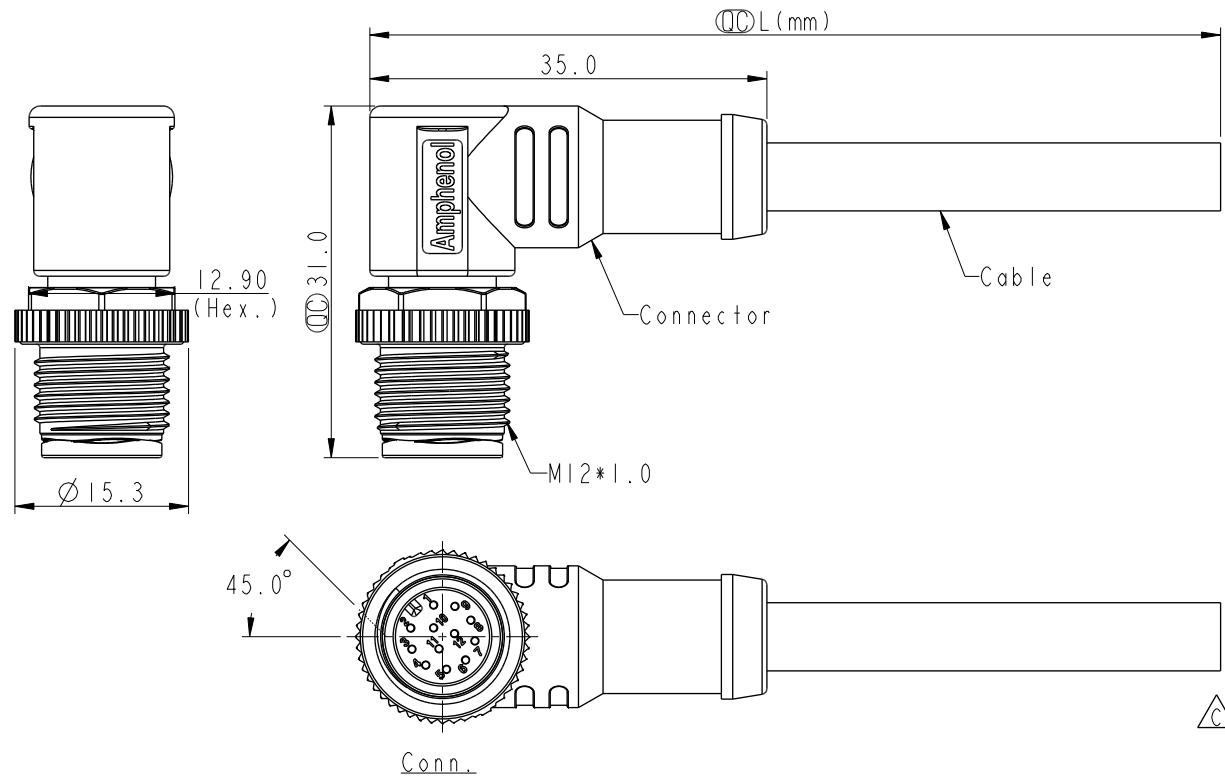


THIS DOCUMENT IS SUBJECT TO CHANGE WITHOUT NOTICE. IT IS CONFIDENTIAL AND A PROPERTY OF Amphenol LTW. DISCLOSURE TO THIRD PARTY HAS TO BE AUTHORIZED BY Amphenol LTW.

REV.	ECN NO.	DATE	SIGN	DESCRIPTION
E	C201638	2020/10/23	Vicky	△E X4
F	C210224	2021/03/22	Vicky	△F X4
G	C230011	2023/01/05	Vicky	△G XI



Note:
 * RoHS Compliant
 * \varnothing Important dimension
 * $\triangle C \triangle G$ Waterproof rate: IP68, mated 1m/24h
 IP69K, mated

- * Connector
- Housing: Thermoplastic, Black
- Pin: Copper alloy, Gold plated
- △B Nut: Thermoplastic, Black
- Outer mold: Thermoplastic, Black
- * Cable: UL2517, PVC Jacket, Yellow
- * Cable length tolerance: 1M: +50/-0 mm
- 1M < L ≤ 3M: +100/-0 mm
- 3M < L ≤ 5M: +150/-0 mm
- 5M < L ≤ 10M: ±100 mm
- 10M < L ≤ 20M: ±200 mm
- 20M < L ≤ 30M: ±300 mm
- 30M < L ≤ 99M: ±500 mm

UNIT: mm

TOLERANCE

±0.5mm

TITLE N SEN, M12 A -PLASTIC, SCREW CABLE W/O SR, M, M, MOLDING			
SCALE 3:2	SIZE A4	SHEET 1 OF 2	
REV. G	WC-REV. A.1	\varnothing Inspection item	

Amphenol LTW
 安費諾亮泰企業股份有限公司

ITEM NO.	DRAWN BY Lingpeng	DATE 2017-04-06
DWG NO. △E MSAP-XXBMMM-SR8AXX	CHECKED BY Ma Fei	DATE 2017-04-06
CUSTOMER ALTW	APPROVED BY Jerry	DATE 2017-04-06

