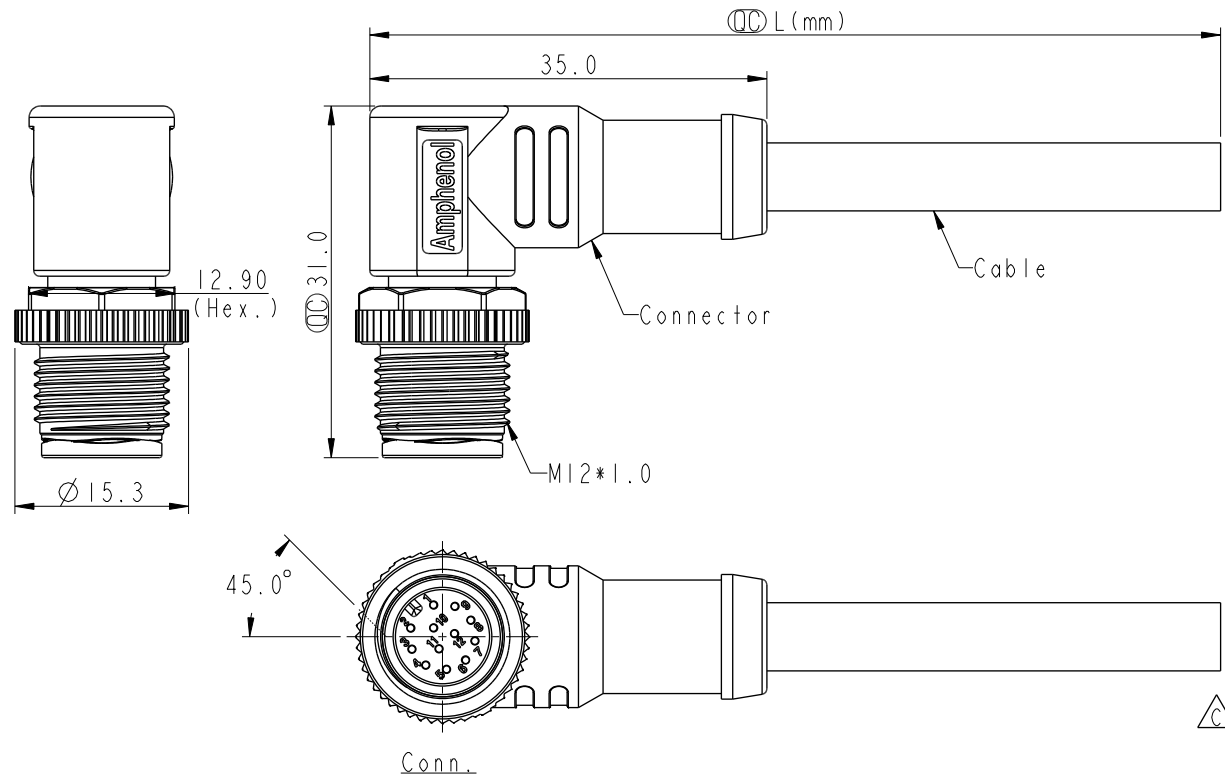


THIS DOCUMENT IS SUBJECT TO CHANGE WITHOUT NOTICE. IT IS CONFIDENTIAL AND A PROPERTY OF Amphenol LTW. DISCLOSURE TO THIRD PARTY HAS TO BE AUTHORIZED BY Amphenol LTW.

REV.	ECN NO.	DATE	SIGN	DESCRIPTION
E	C201638	2020/10/23	Vicky	△E X4
F	C210224	2021/03/22	Vicky	△F X4
G	C230011	2023/01/05	Vicky	△G XI



△E △F
 Note:
 * RoHS Compliant
 * Ⓞ Important dimension
 △C △G * Waterproof rate: IP68, mated 1m/24h
 IP69K, mated

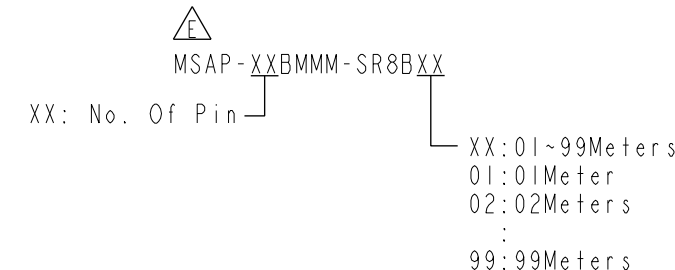
- * Connector
- Housing: Thermoplastic, Black
- Pin: Copper alloy, Gold plated
- △B Nut: Thermoplastic, Black
- Outer mold: Thermoplastic, Black
- * Cable: UL20549, PUR Jacket, Black
- * Cable length tolerance: 1M: +50/-0 mm
- 1M < L ≤ 3M: +100/-0 mm
- 3M < L ≤ 5M: +150/-0 mm
- 5M < L ≤ 10M: ±100 mm
- 10M < L ≤ 20M: ±200 mm
- 20M < L ≤ 30M: ±300 mm
- 30M < L ≤ 99M: ±500 mm

UNIT: mm		TITLE	N SEN, M12 A -PLASTIC, SCREW CABLE W/O SR, M, M, MOLDING △E	
TOLERANCE	±0.5mm	SCALE	3:2	SIZE A4
		REV.	G	WC-REV. A.1
			Ⓞ: Inspection item	SHEET 1 OF 2

Amphenol LTW
 安費諾亮泰企業股份有限公司

ITEM NO	DRAWN BY	DATE
	Lingpeng	2017-04-06
DWG NO	CHECKED BY	DATE
△E MSAP-XXBMMM-SR8BXX	Ma Fei	2017-04-06
CUSTOMER	APPROVED BY	DATE
ALTW	Jerry	2017-04-06

THIS DOCUMENT IS SUBJECT TO CHANGE WITHOUT NOTICE. IT IS CONFIDENTIAL AND A PROPERTY OF Amphenol LTW. DISCLOSURE TO THIRD PARTY HAS TO BE AUTHORIZED BY Amphenol LTW.



△D	12P	6.0	26	MSAP-12BMMM-SR8BXX
	10P			MSAP-10BMMM-SR8BXX
△C	8P	4.8	24	MSAP-08BMMM-SR8BXX
	6P			MSAP-06BMMM-SR8BXX
△D	5P	4.4	22	MSAP-05BMMM-SR8BXX
	4P			MSAP-04BMMM-SR8BXX
	3P			MSAP-03BMMM-SR8BXX
△F	Contacts	Cable OD	AWG	Item No.

Pin Out	5 -- 4 Black 黑 3 Blue 藍 2 -- 1 Brown 棕	5 -- 4 Black 黑 3 Blue 藍 2 White 白 1 Brown 棕	5 Gray 灰 4 Black 黑 3 Blue 藍 2 White 白 1 Brown 棕	8 -- 7 Blue 藍 6 Pink 粉 5 -- 4 Yellow 黃 3 Green 綠 2 Brown 棕 1 White 白	8 Red 紅 7 Blue 藍 6 Pink 粉 5 Gray 灰 4 Yellow 黃 3 Green 綠 2 Brown 棕 1 White 白	12 -- 11 -- 10 Violet 紫 9 Black 黑 8 Red 紅 7 Blue 藍 6 Pink 粉 5 Gray 灰 4 Yellow 黃 3 Green 綠 2 Brown 棕 1 White 白	12 Red/Blue 紅/藍 11 Gray/Pink 灰/粉 10 Violet 紫 9 Black 黑 8 Red 紅 7 Blue 藍 6 Pink 粉 5 Gray 灰 4 Yellow 黃 3 Green 綠 2 Brown 棕 1 White 白
Pin #	Wire	Wire	Wire	Wire	Wire	Wire	
Conn.	3P	4P	5P	△6P	8P	10P	12P

Pin Assignments Front View

UNIT:mm		TITLE	N SEN, M12 A -PLASTIC, SCREW CABLE W/O SR, M, M, MOLDING
TOLERANCE	±0.5mm	SCALE	3:2
		SIZE	A4
		SHEET	2 OF 2
		REV.	G
		WC-REV.	A.1
		QC	Inspection item

Amphenol LTW
 安費諾亮泰企業股份有限公司

ITEM NO	MSAP-XXBMMM-SR8BXX	DRAWN BY	Lingpeng	DATE	2017-04-06
DWG NO	MSAP-XXBMMM-SR8BXX	CHECKED BY	Ma Fei	DATE	2017-04-06
CUSTOMER	ALTW	APPROVED BY	Jerry	DATE	2017-04-06