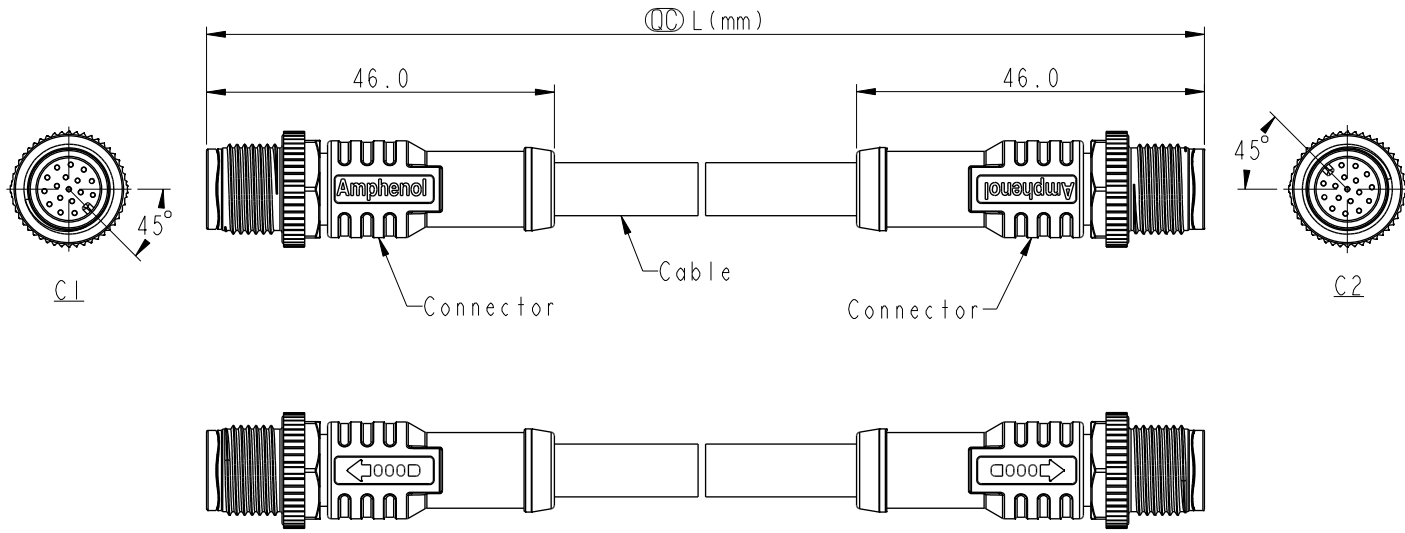


THIS DOCUMENT IS SUBJECT TO CHANGE WITHOUT NOTICE. IT IS CONFIDENTIAL AND A PROPERTY OF Amphenol LTW. DISCLOSURE TO THIRD PARTY HAS TO BE AUTHORIZED BY Amphenol LTW.

| REV. | ECN NO. | DATE | SIGN | DESCRIPTION |
|------|--------------|------------|-------|------------------|
| B | C201759 & 60 | 2020/11/17 | Vicky | $\triangle B$ X5 |
| C | C210231 | 2021/04/06 | Vicky | $\triangle C$ X4 |
| D | C230013 | 2023/01/06 | Vicky | $\triangle D$ X1 |



- $\triangle B \triangle C$
 Note:
 * RoHS Compliant
 * CC Important dimension
 $\triangle D$ * Waterproof rate: IP68, mated 1m/24h
 IP69K, mated
- * Connector
 Housing: Thermoplastic, Black
 Pin: Copper alloy, Gold plated
 Nut: Thermoplastic, Black
 Outer Mold: Thermoplastic, Black
- * Cable: UL2517, PVC Jacket, Black
- * Cable Length Tolerance: 0.5M < L \leq 1M: +60/-0 mm
 1M < L \leq 3M: +120/-0 mm
 3M < L \leq 5M: +160/-0 mm
 5M < L \leq 10M: \pm 100 mm
 10M < L \leq 20M: \pm 200 mm
 20M < L \leq 30M: \pm 300 mm
 30M < L \leq 99M: \pm 500 mm

| | | | |
|---------------------------|--------------|---|-------------------------------|
| UNIT: mm | CC | TITLE ACC, SEN, A Code, DB-ENDED MM | $\triangle C$ |
| TOLERANCE ± 0.5 mm | SCALE 1:2 | SIZE A4 | SHEET 1 OF 2 |
| | REV. D | WC-REV. A.5 | CC : Inspection item |

Amphenol LTW
 安費諾亮泰企業股份有限公司

| | | |
|---|--------------------|--------------------|
| ITEM NO. | DRAWN BY Vicky | DATE 2018-12-05 |
| DWG NO. $\triangle B$ MSAPXXML-SAPML-SDXXX | CHECKED BY Rita | DATE 2018-12-05 |
| CUSTOMER ALTW | APPROVED BY Max | DATE 2018-12-05 |

| | | | | | | | | | | | | | | | | | | | | | | | | | | | | | | | | | | | | | | | | | | | | | | | | | | | | | | | | | | | |
|---|-----|-----|--|----------------------|----------------------|-----|----------|--|--|--|---|----|-----|-----|----|----------------------|--|-----|-----|----------------------|--|-----|----------------------|--|--|--|----|----------------------|--|--|--|----------------------|--|--|--|----------------------|--|--|--|----|----------------------|--|--|--|----------------------|--|--|--|--|--|--|--|----|----------|----------|-----|----------|--|--|
| F | | | | | | | | | | | <table border="1"> <tr> <td>△B</td> <td>17P</td> <td>7.0</td> <td rowspan="3">26</td> <td>MSAP17ML-SAPML-SDXXX</td> </tr> <tr> <td></td> <td>12P</td> <td rowspan="2">6.0</td> <td>MSAP12ML-SAPML-SDXXX</td> </tr> <tr> <td></td> <td>10P</td> <td>MSAP10ML-SAPML-SDXXX</td> </tr> <tr> <td></td> <td></td> <td></td> <td rowspan="3">24</td> <td>MSAP08ML-SAPML-SDXXX</td> </tr> <tr> <td></td> <td></td> <td></td> <td>MSAP06ML-SAPML-SDXXX</td> </tr> <tr> <td></td> <td></td> <td></td> <td>MSAP05ML-SAPML-SDXXX</td> </tr> <tr> <td></td> <td></td> <td></td> <td rowspan="3">22</td> <td>MSAP04ML-SAPML-SDXXX</td> </tr> <tr> <td></td> <td></td> <td></td> <td>MSAP03ML-SAPML-SDXXX</td> </tr> <tr> <td></td> <td></td> <td></td> <td></td> </tr> <tr> <td></td> <td></td> <td></td> <td>△C</td> <td>Contacts</td> <td>Cable OD</td> <td>AWG</td> <td colspan="3">Item No.</td> </tr> </table> | △B | 17P | 7.0 | 26 | MSAP17ML-SAPML-SDXXX | | 12P | 6.0 | MSAP12ML-SAPML-SDXXX | | 10P | MSAP10ML-SAPML-SDXXX | | | | 24 | MSAP08ML-SAPML-SDXXX | | | | MSAP06ML-SAPML-SDXXX | | | | MSAP05ML-SAPML-SDXXX | | | | 22 | MSAP04ML-SAPML-SDXXX | | | | MSAP03ML-SAPML-SDXXX | | | | | | | | △C | Contacts | Cable OD | AWG | Item No. | | |
| | △B | 17P | 7.0 | 26 | MSAP17ML-SAPML-SDXXX | | | | | | | | | | | | | | | | | | | | | | | | | | | | | | | | | | | | | | | | | | | | | | | | | | | | | | |
| | 12P | 6.0 | MSAP12ML-SAPML-SDXXX | | | | | | | | | | | | | | | | | | | | | | | | | | | | | | | | | | | | | | | | | | | | | | | | | | | | | | | | |
| | 10P | | MSAP10ML-SAPML-SDXXX | | | | | | | | | | | | | | | | | | | | | | | | | | | | | | | | | | | | | | | | | | | | | | | | | | | | | | | | |
| | | | 24 | MSAP08ML-SAPML-SDXXX | | | | | | | | | | | | | | | | | | | | | | | | | | | | | | | | | | | | | | | | | | | | | | | | | | | | | | | |
| | | | | MSAP06ML-SAPML-SDXXX | | | | | | | | | | | | | | | | | | | | | | | | | | | | | | | | | | | | | | | | | | | | | | | | | | | | | | | |
| | | | | MSAP05ML-SAPML-SDXXX | | | | | | | | | | | | | | | | | | | | | | | | | | | | | | | | | | | | | | | | | | | | | | | | | | | | | | | |
| | | | 22 | MSAP04ML-SAPML-SDXXX | | | | | | | | | | | | | | | | | | | | | | | | | | | | | | | | | | | | | | | | | | | | | | | | | | | | | | | |
| | | | | MSAP03ML-SAPML-SDXXX | | | | | | | | | | | | | | | | | | | | | | | | | | | | | | | | | | | | | | | | | | | | | | | | | | | | | | | |
| | | | | | | | | | | | | | | | | | | | | | | | | | | | | | | | | | | | | | | | | | | | | | | | | | | | | | | | | | | | |
| | | | △C | Contacts | Cable OD | AWG | Item No. | | | | | | | | | | | | | | | | | | | | | | | | | | | | | | | | | | | | | | | | | | | | | | | | | | | | |
| E | | | <p>△B MSAPXXML-SAPML-SDXXX</p> <p>XX: No. Of Pin</p> <p>XXX: 0.5~99Meters A05: 0.5 Meter 1: 01 Meter 2: 02 Meters : 99: 99 Meters</p> | | | | | | | | | | | | | | | | | | | | | | | | | | | | | | | | | | | | | | | | | | | | | | | | | | | | | | | | |

| | | | | | | | | | | | | | | | | | | | | |
|---|---------|-------|---|-------|---|-------|---|---|--------|---|--------|---|----|--------|----|-----------|-----|----|--------------|-----|
| D | | | | | | | | | | | | | | | | | | | | |
| | | | | | | | | | | | | | | | | | | | | |
| C | Pin Out | | | | | | | | | | | | | | | | | | | |
| | 5 | -- | 5 | -- | 5 | Gray | 灰 | 8 | -- | 8 | Red | 紅 | 12 | -- | 12 | Red/Blue | 紅/藍 | 17 | White/Gray | 白/灰 |
| | 4 | Black | 4 | Black | 4 | Black | 黑 | 7 | Blue | 7 | Blue | 藍 | 11 | -- | 11 | Gray/Pink | 灰/粉 | 16 | Yellow/Brown | 黃/棕 |
| | 3 | Blue | 3 | Blue | 3 | Blue | 藍 | 6 | Pink | 6 | Pink | 粉 | 10 | Violet | 10 | Violet | 紫 | 15 | White/Yellow | 白/黃 |
| | 2 | -- | 2 | White | 2 | White | 白 | 5 | -- | 5 | Gray | 灰 | 9 | Black | 9 | Black | 黑 | 14 | Brown/Green | 棕/綠 |
| | 1 | Brown | 1 | Brown | 1 | Brown | 棕 | 4 | Yellow | 4 | Yellow | 黃 | 8 | Red | 8 | Red | 紅 | 13 | White/Green | 白/綠 |
| | | | | | | | | 3 | Green | 3 | Green | 綠 | 7 | Blue | 7 | Blue | 藍 | 12 | Red/Blue | 紅/藍 |
| | | | | | | | | 2 | Brown | 2 | Brown | 棕 | 6 | Pink | 6 | Pink | 粉 | 11 | Gray/Pink | 灰/粉 |
| | | | | | | | | 1 | White | 1 | White | 白 | 5 | Gray | 5 | Gray | 灰 | 10 | Violet | 紫 |
| | | | | | | | | | | | | | 4 | Yellow | 4 | Yellow | 黃 | 9 | Red | 紅 |
| | | | | | | | | | | | | | 3 | Green | 3 | Green | 綠 | 8 | Gray | 灰 |
| | | | | | | | | | | | | | 2 | Brown | 2 | Brown | 棕 | 7 | Black | 黑 |
| | | | | | | | | | | | | | 1 | White | 1 | White | 白 | 6 | Yellow | 黃 |
| | | | | | | | | | | | | | | | | | | 5 | Pink | 粉 |
| | | | | | | | | | | | | | | | | | | 4 | Green | 綠 |
| | | | | | | | | | | | | | | | | | | 3 | White | 白 |
| | | | | | | | | | | | | | | | | | | 2 | Blue | 藍 |
| | | | | | | | | | | | | | | | | | | 1 | Brown | 棕 |

| | | | | | | | | | | | |
|---|------------------|--|--|-------------|--------------------|---------------------------------|--|-----------------|--|-----------------|--|
| A | UNIT:mm | | TITLE ACC, SEN, A Code, DB-ENDED MM | | | ITEM NO. | | DRAWN BY Vicky | | DATE 2018-12-05 | |
| | TOLERANCE ±0.5mm | | SCALE 1:2 | SIZE A4 | SHEET 2 OF 2 | DWC NO. △B MSAPXXML-SAPML-SDXXX | | CHECKED BY Rita | | DATE 2018-12-05 | |
| | | | REV. D | WC-REV. A.5 | Ⓞ: Inspection item | CUSTOMER ALTW | | APPROVED BY Max | | DATE 2018-12-05 | |
| | | | Amphenol LTW 安費諾亮泰企業股份有限公司 | | | | | | | | |