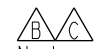
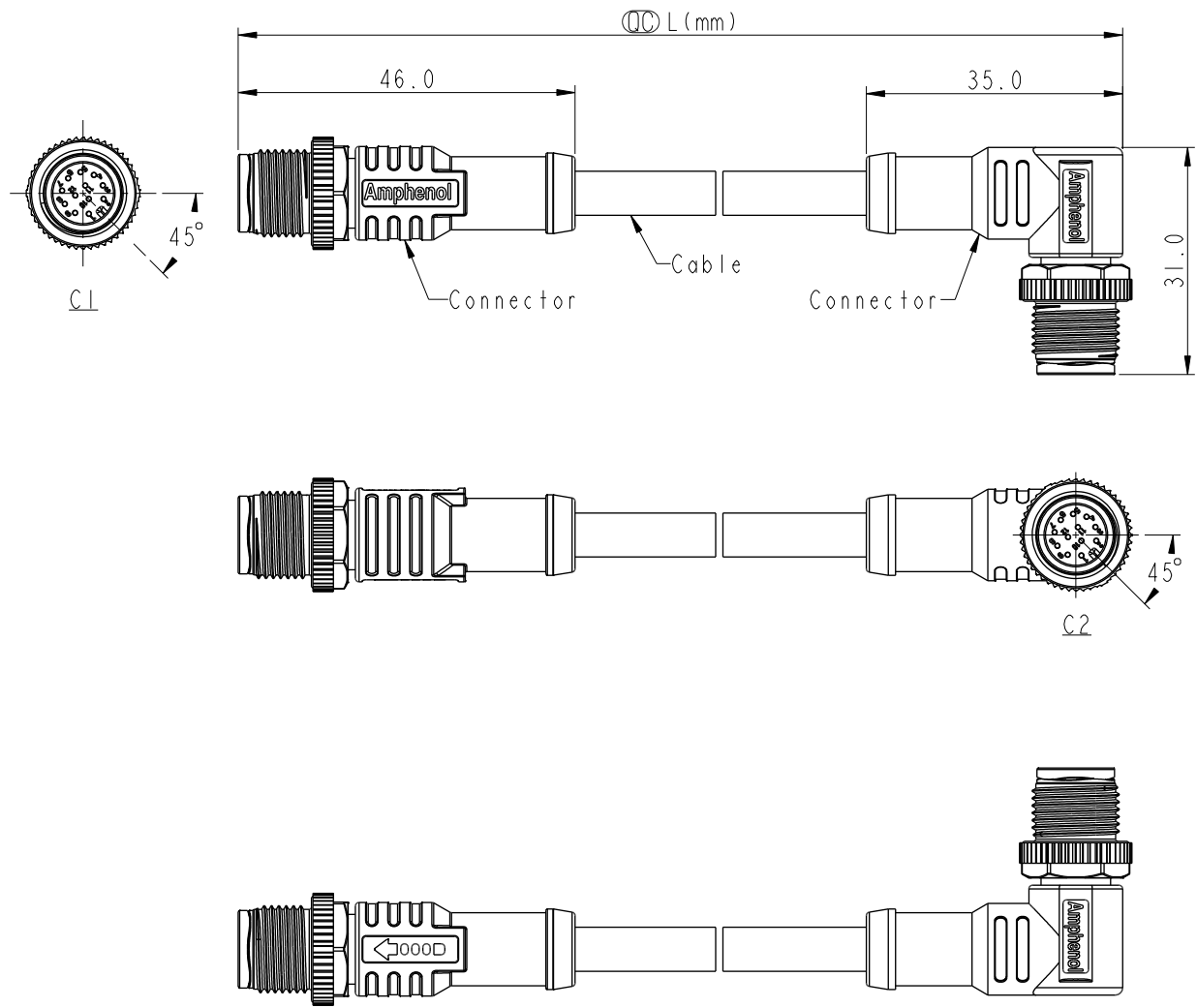


THIS DOCUMENT IS SUBJECT TO CHANGE WITHOUT NOTICE. IT IS CONFIDENTIAL AND A PROPERTY OF Amphenol LTW. DISCLOSURE TO THIRD PARTY HAS TO BE AUTHORIZED BY Amphenol LTW.

REV.	ECN NO.	DATE	SIGN	DESCRIPTION
B	C201759 & 60	2020/11/17	Vicky	\triangle_B X4
C	C210232	2021/04/06	Vicky	\triangle_C X4
D	C230019	2023/01/06	Vicky	\triangle_D X2



Note:

- * RoHS Compliant
- * $\text{\textcircled{L}}$ Important dimension
- * C1
- \triangle_D Waterproof rate: IP68, mated 1m/24h
IP69K, mated
- Housing: Thermoplastic, Black
- Pin: Copper alloy, Gold plated
- Nut: Thermoplastic, Black
- Outer Mold: Thermoplastic, Black
- * C2
- \triangle_D Waterproof rate: IP68, mated 1m/24h
IP69K, mated
- Housing: Thermoplastic, Black
- Pin: Copper alloy, Gold plated
- Nut: Thermoplastic, Black
- Outer Mold: Thermoplastic, Black

- * Cable: UL2517, PVC Jacket, Black
- * Cable Length Tolerance: 0.5M < L \leq 1M: +60/-0 mm
- 1M < L \leq 3M: +120/-0 mm
- 3M < L \leq 5M: +160/-0 mm
- 5M < L \leq 10M: \pm 100 mm
- 10M < L \leq 20M: \pm 200 mm
- 20M < L \leq 30M: \pm 300 mm
- 30M < L \leq 99M: \pm 500 mm

UNIT: mm		TITLE ACC, SEN, A Code, DB-ENDED \triangle_C
TOLERANCE $\pm 0.5\text{mm}$	SCALE 1:2	SIZE A4
	REV. D	SHEET 1 OF 2
	WC-REV.	$\text{\textcircled{L}}$: Inspection item

Amphenol LTW
安費諾亮泰企業股份有限公司

ITEM NO.	DRAWN BY Vicky	DATE 2018-12-07
DWG NO. \triangle_B MSAPXXML-SAPMR-SDXXX	CHECKED BY Rita	DATE 2018-12-07
CUSTOMER ALTW	APPROVED BY Max	DATE 2018-12-07

THIS DOCUMENT IS SUBJECT TO CHANGE WITHOUT NOTICE. IT IS CONFIDENTIAL AND A PROPERTY OF Amphenol LTW. DISCLOSURE TO THIRD PARTY HAS TO BE AUTHORIZED BY Amphenol LTW.

MSAPXXML - SAPMR - SDXXX XX: No. Of Pin							12P 10P	6.0	26	MSAP12ML - SAPMR - SDXXX
							8P			5.5
							6P	5.0	22	
							5P			5.1
							4P	4.8	22	
							3P			4.5
							3P	4.5	22	
						Contacts Cable OD				AWG

XXX: 0.5~99Meters
 A05: 0.5 Meter
 1: 01 Meter
 2: 02 Meters
 :
 99: 99 Meters

	Pin Out	5 --		5 --		5 Gray 灰黑		8 --		8 Red 紅		12 --		12 Red/Blue 紅/藍	
		4 Black 黑		4 Black 黑		4 Black 黑		7 Blue 藍粉		7 Blue 藍		11 --		11 Gray/Pink 灰/粉	
	Pin #	3 Blue 藍		3 Blue 藍		3 Blue 藍		6 Pink 粉		6 Pink 粉		10 Violet 紫黑		10 Violet 紫黑	
		2 --		2 White 白		2 White 白		5 --		5 Gray 灰		9 Black 黑		9 Black 黑	
	Wire	1 Brown 棕		1 Brown 棕		1 Brown 棕		4 Yellow 黃		4 Yellow 黃		8 Red 紅		8 Red 紅	
								3 Green 綠		3 Green 綠		7 Blue 藍		7 Blue 藍	
	Wire							2 Brown 棕		2 Brown 棕		6 Pink 粉		6 Pink 粉	
								1 White 白		1 White 白		5 Gray 灰		5 Gray 灰	
	Wire											4 Yellow 黃		4 Yellow 黃	
												3 Green 綠		3 Green 綠	
	Wire											2 Brown 棕		2 Brown 棕	
												1 White 白		1 White 白	
	Wire														

Pin Assignments Front View

UNIT:mm		TITLE ACC, SEN, A Code, DB-ENDED MM		Amphenol LTW	ITEM NO	DRAWN BY Vicky	DATE 2018-12-07
TOLERANCE ±0.5mm		SCALE 1:2	SIZE A4	SHEET 2 OF 2	DWG NO MSAPXXML - SAPMR - SDXXX	CHECKED BY Rita	DATE 2018-12-07
		REV. D	WC-REV.	QC: Inspection item	CUSTOMER ALTW	APPROVED BY Max	DATE 2018-12-07