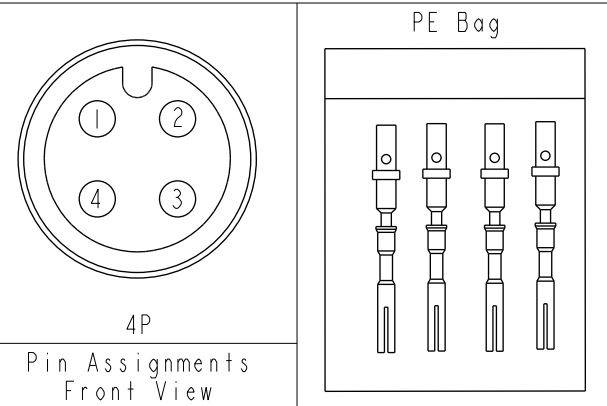
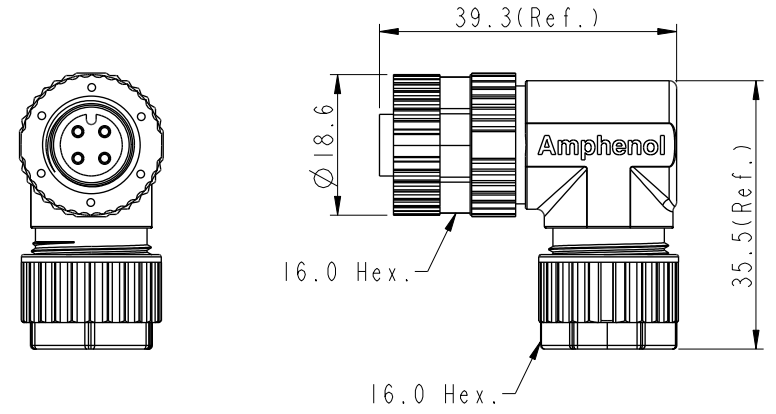
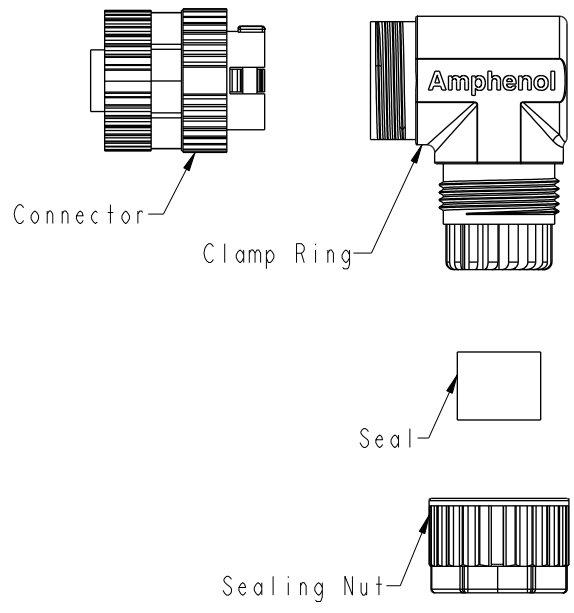


THIS DOCUMENT IS SUBJECT TO CHANGE WITHOUT NOTICE. IT IS CONFIDENTIAL AND A PROPERTY OF Amphenol LTW. DISCLOSURE TO THIRD PARTY HAS TO BE AUTHORIZED BY Amphenol LTW.

REV.	ECN NO.	DATE	SIGN	DESCRIPTION
D	C210561	2021/04/14	Vicky	$\triangle D$ X3
E	C210977	2021/06/23	Vicky	$\triangle E$ XI
F	C230009	2023/01/03	Vicky	$\triangle F$ XI



$\triangle C$   
MSAP-XXBFFC-SR7001  
XX: No. Of Pin

- $\triangle D$   
Note:
- \* RoHS Compliant
  - \*  $\text{\textcircled{C}}$  Important Dimension
  - $\triangle F$  \* Waterproof rate: IP67, mated
  - \* Connector
  - Housing: Thermoplastic, Black
  - Pin: Copper alloy, Gold plated
  - Extension Nut: Thermoplastic, Black
  - Nut: Thermoplastic, Black
  - $\triangle C$  \* O-Ring: Rubber, Gray
  - \* Clamp Ring: Thermoplastic, Black
  - \* Sealing Nut: Thermoplastic, Black
  - $\triangle B$   $\triangle C$  \* Seal: Rubber, Gray, OD:  $\text{\textcircled{D}}4.0\text{mm} - \text{\textcircled{D}}7.0\text{mm}$
  - $\triangle E$  \* Applicable wire gauge: 20AWG~24AWG
  - \* One set unassembled in one pe bag

UNIT:mm	$\text{\textcircled{D}}$	$\text{\textcircled{D}}$	TITLE N SEN, M12 A -PLASTIC, SCREW $\triangle D$ CABLE W/O SR, F, F, FI/PANEL CRIMP	
TOLERANCE	$\pm 0.25$	$\pm 0.1$	SCALE Free	SIZE A4
.X	$\pm 0.1$	$\pm 0.05$	SHEET 1	OF 1
.XX	$\pm 0.05$	$\pm 1^\circ$	REV. F	WC-REV. .0
.XXX			$\text{\textcircled{C}}$ : Inspection item	
ANGLES				

**Amphenol LTW**  
安費諾亮泰企業股份有限公司

ITEM NO	DRAWN BY Xiaofeng	DATE 2019/12/18
DWG NO $\triangle C$ MSAP-XXBFFC-SR7001	CHECKED BY Li-Feng	DATE 2019/12/18
CUSTOMER ALTW	APPROVED BY Jerry	DATE 2019/12/18