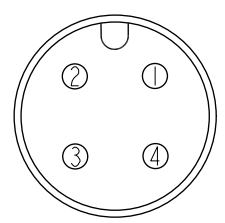
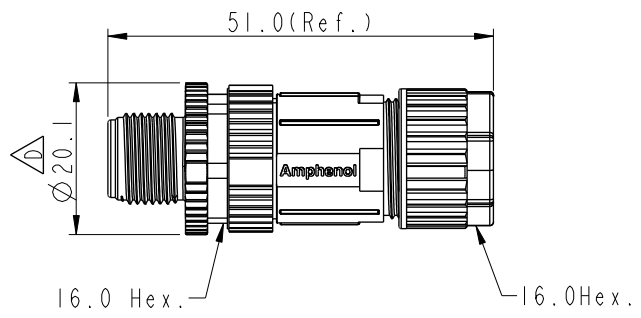
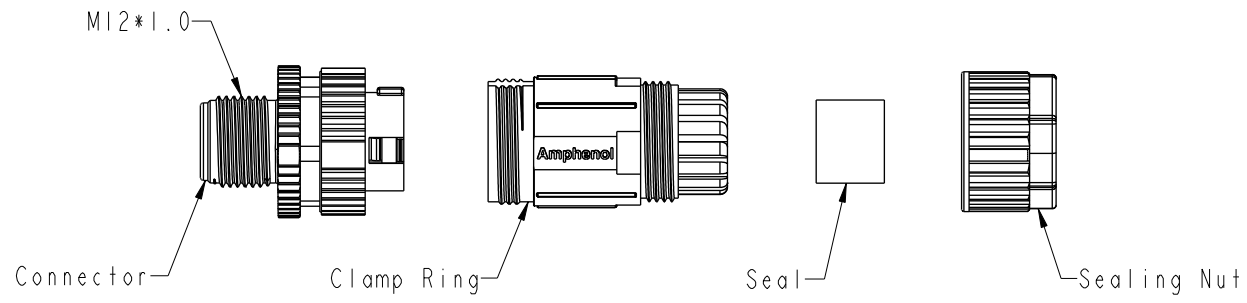


THIS DOCUMENT IS SUBJECT TO CHANGE WITHOUT NOTICE. IT IS CONFIDENTIAL AND A PROPERTY OF Amphenol LTW. DISCLOSURE TO THIRD PARTY HAS TO BE AUTHORIZED BY Amphenol LTW.

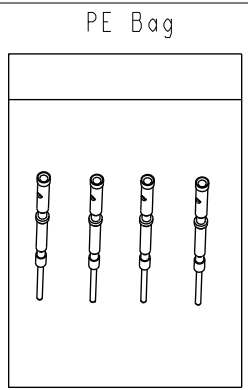
REV.	ECN NO.	DATE	SIGN	DESCRIPTION
E	C210561	2021/04/14	Vicky	△E X3
F	C210977	2021/06/23	Vicky	△F XI
G	C230008	2023/01/04	Vicky	△G XI

△D MSAP-XXBMMC-SL7001  
 XX: No. Of Pin



4P

Pin Assignments Front View



PE Bag

- △E Note:
- \* RoHS Compliant
  - \* ⌀ Important Dimension
  - △G \* Waterproof rate: IP67, mated
  - \* Connector
  - Housing: Thermoplastic, Black
  - Pin: Copper alloy, Gold plated
  - Extension Nut: Thermoplastic, Black
  - Nut: Thermoplastic, Black
  - △D \* O-Ring: Rubber, Gray
  - \* Clamp Ring: Thermoplastic, Black
  - \* Sealing Nut: Thermoplastic, Black
  - △C \* Seal: Rubber, Gray, OD:  $\phi 4.0\text{mm} \sim \phi 8.0\text{mm}$
  - △F \* Applicable wire gauge: 20AWG~24AWG
  - \* One set unassembled in one pe bag

UNIT:mm			TITLE N SEN, M12 A -PLASTIC, SCREW CABLE W/O SR, M, M, FI/PANEL CRIMP
TOLERANCE .X ±0.25 .XX ±0.1 .XXX ±0.05 ANGLES ±1°	SCALE Free	SIZE A4	SHEET 1 OF 1
REV. G	WC-REV. .0	⌀ Inspection item	

**Amphenol LTW**  
 安費諾亮泰企業股份有限公司

ITEM NO	DRAWN BY Xiaofeng	DATE 2019/12/17
DWG NO △D MSAP-XXBMMC-SL7001	CHECKED BY Li-Feng	DATE 2019/12/17
CUSTOMER ALTW	APPROVED BY Jerry	DATE 2019/12/17