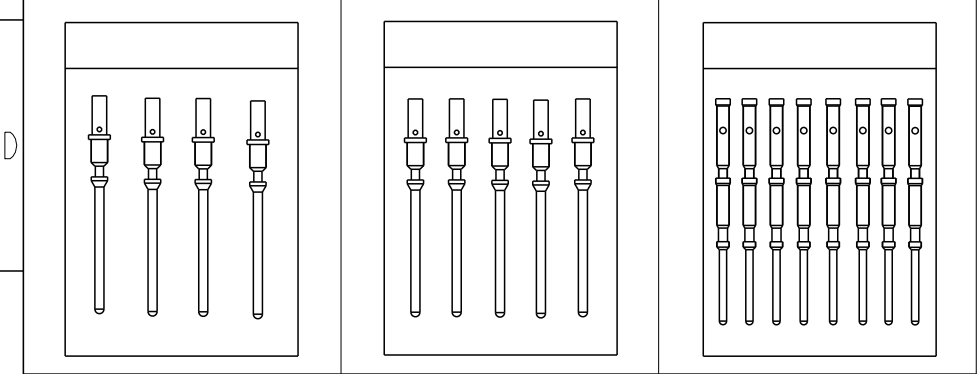
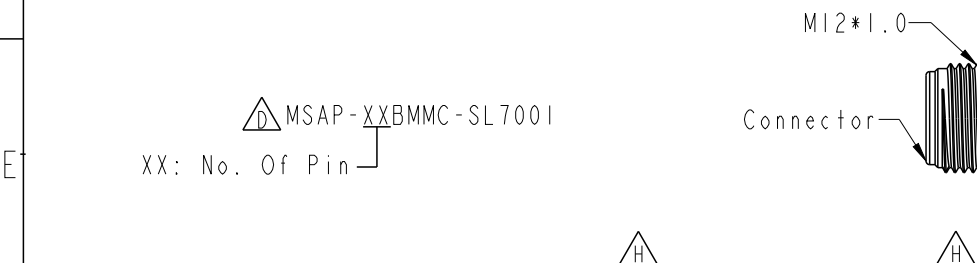


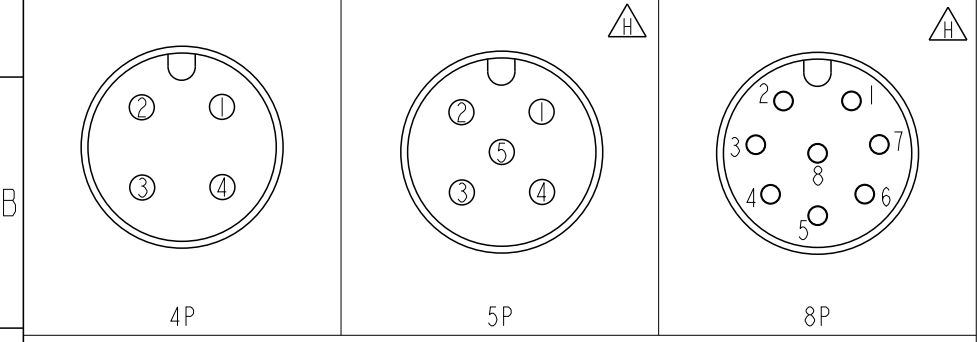
THIS DOCUMENT IS SUBJECT TO CHANGE WITHOUT NOTICE. IT IS CONFIDENTIAL AND A PROPERTY OF Amphenol LTW. DISCLOSURE TO THIRD PARTY HAS TO BE AUTHORIZED BY Amphenol LTW.

REV.	ECN NO.	DATE	SIGN	DESCRIPTION
F	C210977	2021/06/23	Vicky	△FXI
G	C230008	2023/01/04	Vicky	△GX1
H	C241084	2024/09/25	Yunchen	△HX6

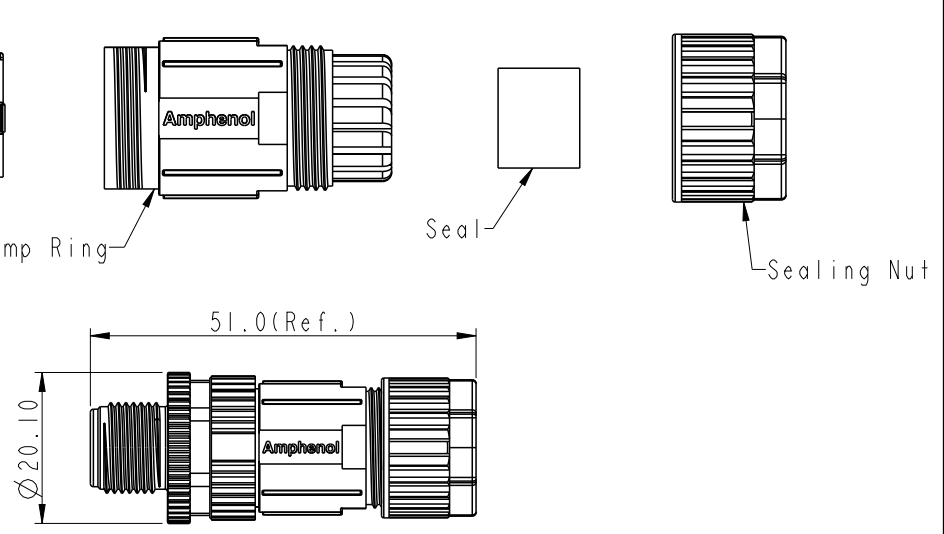
1	2	3
8P	22~26	MSAP-08BMMC-SL7001
4P	20~24	MSAP-04BMMC-SL7001
5P	20~24	MSAP-05BMMC-SL7001
Contacts	Applicable wire gauge	Item No.



PE Bag



Pin Assignments Front View



- Note:
- * RoHS Compliant
 - * \varnothing Important Dimension
 - * Waterproof rate: IP67, mated
 - * Connector Housing: Thermoplastic, Black
 - * Pin: Copper alloy, Gold plated
 - * Extension Nut: Thermoplastic, Black
 - * Nut: Thermoplastic, Black
 - * O-Ring: Rubber, Gray
 - * Clamp Ring: Thermoplastic, Black
 - * Sealing Nut: Thermoplastic, Black
 - * Seal: Rubber, Gray, OD: \varnothing 4.0mm- \varnothing 8.0mm
 - * Applicable wire gauge: 20AWG~26AWG
 - * One set unassembled in one pe bag

UNIT: mm			TITLE N SEN, M12 A -PLASTIC, SCREW CABLE W/O SR, M, M, FI/PANEL CRIMP
TOLERANCE .X ±0.25 .XX ±0.1 .XXX ±0.05 ANGLES ±1°			SCALE Free
			SIZE A4
			SHEET 1 OF 1
			REV. H
			WC-REV. .0
			\varnothing : Inspection item

Amphenol LTW		ITEM NO	DRAWN BY	DATE
安費諾亮泰企業股份有限公司			Yunchen	2024/09/25
DWG NO	CHECKED BY	DATE		
MSAP-XXBMMC-SL7001	Aric	2024/09/25		
CUSTOMER	APPROVED BY	DATE		
ALTW	Fred	2024/09/25		