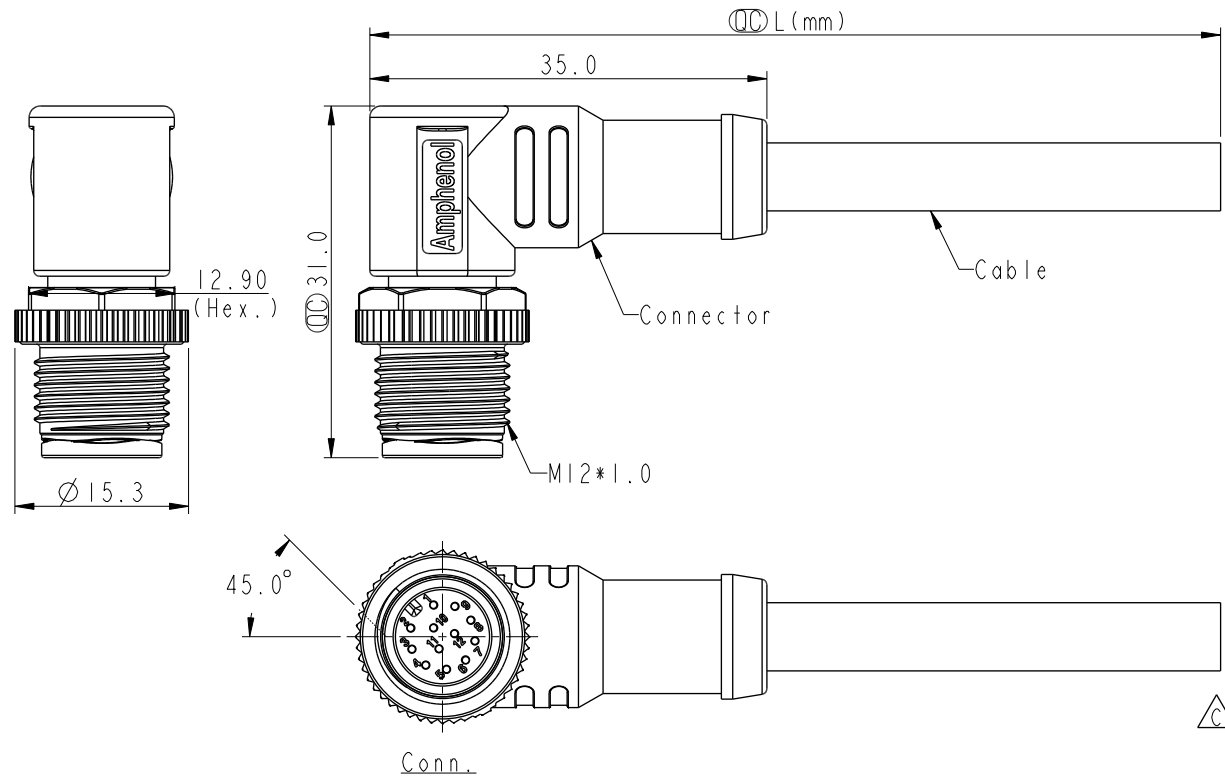

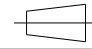


THIS DOCUMENT IS SUBJECT TO CHANGE WITHOUT NOTICE. IT IS CONFIDENTIAL AND A PROPERTY OF Amphenol LTW. DISCLOSURE TO THIRD PARTY HAS TO BE AUTHORIZED BY Amphenol LTW.

REV.	ECN NO.	DATE	SIGN	DESCRIPTION
E	C201638	2020/10/23	Vicky	△E X4
F	C210224	2021/03/22	Vicky	△F X4
G	C230011	2023/01/05	Vicky	△G XI



- Note:
- * RoHS Compliant
 - * ⌀ Important dimension
 - * $\triangle C \triangle G$ Waterproof rate: IP68, mated 1m/24h
IP69K, mated
 - * Connector
 - Housing: Thermoplastic, Black
 - Pin: Copper alloy, Gold plated
 - * $\triangle B$ Nut: Thermoplastic, Black
 - * Outer mold: Thermoplastic, Black
 - * Cable: UL2517, PVC Jacket, Black
 - * Cable length tolerance: 1M: +50/-0 mm
 - 1M < L ≤ 3M: +100/-0 mm
 - 3M < L ≤ 5M: +150/-0 mm
 - 5M < L ≤ 10M: ±100 mm
 - 10M < L ≤ 20M: ±200 mm
 - 20M < L ≤ 30M: ±300 mm
 - 30M < L ≤ 99M: ±500 mm

UNIT: mm  

TOLERANCE

±0.5mm

TITLE N SEN, M12 A -PLASTIC, SCREW CABLE W/O SR, M, M, MOLDING			
SCALE 3:2	SIZE A4	SHEET 1 OF 2	
REV. G	WC-REV. A.1	⌀ : Inspection item	

Amphenol LTW
安費諾亮泰企業股份有限公司

ITEM NO.	DRAWN BY Lingpeng	DATE 2017-04-06
DWG NO. △E MSAP-XXBMMM-SR8DXX	CHECKED BY Ma Fei	DATE 2017-04-06
CUSTOMER ALTW	APPROVED BY Jerry	DATE 2017-04-06

THIS DOCUMENT IS SUBJECT TO CHANGE WITHOUT NOTICE. IT IS CONFIDENTIAL AND A PROPERTY OF Amphenol LTW. DISCLOSURE TO THIRD PARTY HAS TO BE AUTHORIZED BY Amphenol LTW.

MSAP-XXBMMM-SR8DXX XX: No. Of Pin							12P 10P 8P 6P 5P 4P 3P Contacts	6.0 5.5 5.0 5.1 4.8 4.5 Cable OD	26 24 22 AWG	MSAP-12BMMM-SR8DXX MSAP-10BMMM-SR8DXX MSAP-08BMMM-SR8DXX MSAP-06BMMM-SR8DXX MSAP-05BMMM-SR8DXX MSAP-04BMMM-SR8DXX MSAP-03BMMM-SR8DXX Item No.
XX: 01~99Meters 01: 01Meter 02: 02Meters : 99: 99Meters										

Pin Out	Pin #	Wire	Pin #	Wire	Pin #	Wire	Pin #	Wire	Pin #	Wire	Pin #	Wire
5 --	5	--	5	--	5	Gray	灰	5	Gray	灰	5	Gray
4 Black 黑	4	Black 黑	4	Black 黑	4	Black 黑	黑	4	Black 黑	黑	4	Black 黑
3 Blue 藍	3	Blue 藍	3	Blue 藍	3	Blue 藍	藍	3	Blue 藍	藍	3	Blue 藍
2 --	2	--	2	White 白	2	White 白	棕	2	Brown 棕	棕	2	Brown 棕
1 Brown 棕	1	Brown 棕	1	Brown 棕	1	Brown 棕	白	1	White 白	白	1	White 白
	8	--	8	Red 紅	8	Red 紅	藍	8	Blue 藍	藍	8	Blue 藍
	7	Blue 藍	7	Blue 藍	7	Blue 藍	粉	7	Blue 藍	粉	7	Blue 藍
	6	Pink 粉	6	Pink 粉	6	Pink 粉	灰	6	Pink 粉	灰	6	Pink 粉
	5	--	5	Gray 灰	5	Gray 灰	黃	5	Yellow 黃	黃	5	Yellow 黃
	4	Yellow 黃	4	Yellow 黃	4	Yellow 黃	綠	4	Yellow 黃	綠	4	Yellow 黃
	3	Green 綠	3	Green 綠	3	Green 綠	棕	3	Green 綠	棕	3	Green 綠
	2	Brown 棕	2	Brown 棕	2	Brown 棕	白	2	Brown 棕	白	2	Brown 棕
	1	White 白	1	White 白	1	White 白	紫	1	White 白	紫	1	White 白
	12	--	12	Red/Blue 紅/藍	12	Red/Blue 紅/藍	灰/粉	12	Red/Blue 紅/藍	灰/粉	12	Red/Blue 紅/藍
	11	--	11	Gray/Pink 灰/粉	11	Gray/Pink 灰/粉	紫	11	Gray/Pink 灰/粉	紫	11	Gray/Pink 灰/粉
	10	Violet 紫	10	Violet 紫	10	Violet 紫	黑	10	Violet 紫	黑	10	Violet 紫
	9	Black 黑	9	Black 黑	9	Black 黑	紅	9	Black 黑	紅	9	Black 黑

Pin Assignments Front View

UNIT:mm		TITLE N SEN, M12 A -PLASTIC, SCREW CABLE W/O SR, M, M, MOLDING	<h2 style="margin: 0;">Amphenol LTW</h2> <p style="margin: 0;">安費諾亮泰企業股份有限公司</p>	ITEM NO	DRAWN BY Lingpeng	DATE 2017-04-06	
TOLERANCE ±0.5mm		SCALE 3:2		SIZE A4	SHEET 2 OF 2	CHECKED BY Ma Fei	DATE 2017-04-06
		REV. G		WC-REV. A.1	CC: Inspection item	APPROVED BY Jerry	DATE 2017-04-06