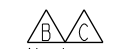
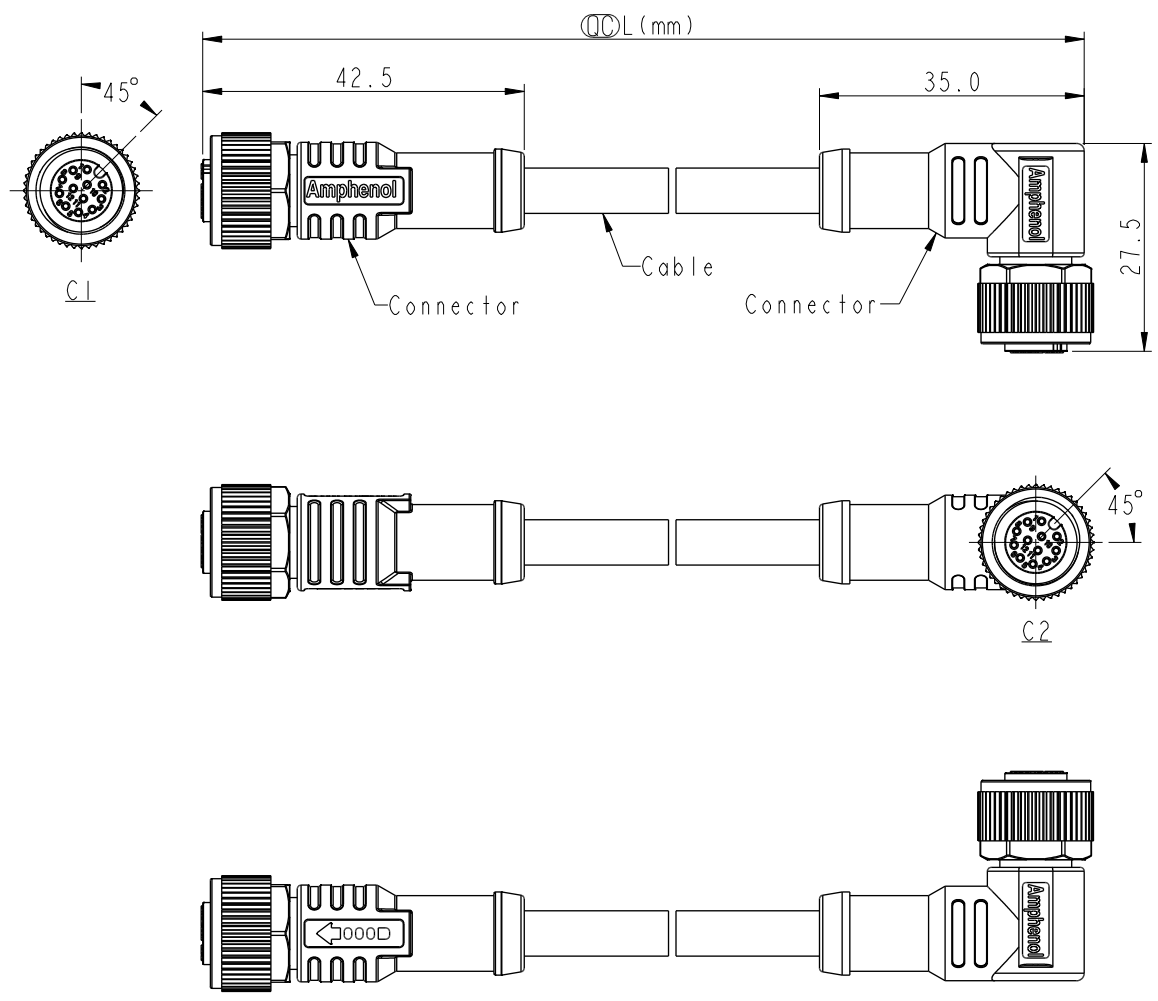


THIS DOCUMENT IS SUBJECT TO CHANGE WITHOUT NOTICE. IT IS CONFIDENTIAL AND A PROPERTY OF Amphenol LTW. DISCLOSURE TO THIRD PARTY HAS TO BE AUTHORIZED BY Amphenol LTW.

REV.	ECN NO.	DATE	SIGN	DESCRIPTION
B	C201748	2020/11/10	Ruru	\triangle_B X5
C	C210230	2021/04/01	Vicky	\triangle_C X4
D	C230012	2023/01/05	Vicky	\triangle_D X2



Note:

- * RoHS Compliant
- * \circledcirc Important dimension
- * C1
- \triangle_D Waterproof rate: IP68, mated 1m/24h
IP69K, mated
Housing: Thermoplastic, Black
Pin: Copper alloy, Gold plated
O-Ring: Rubber, Green
Nut: Thermoplastic, Black
Outer Mold: Thermoplastic, Black
- * C2
- \triangle_D Waterproof rate: IP68, mated 1m/24h
IP69K, mated
Housing: Thermoplastic, Black
Pin: Copper alloy, Gold plated
O-Ring: Rubber, Green
Nut: Thermoplastic, Black
Outer Mold: Thermoplastic, Black
- * Cable: UL2517, PVC Jacket, Black
- * Cable Length Tolerance:

0.5M < L ≤ 1M:	+60/-0 mm
1M < L ≤ 3M:	+120/-0 mm
3M < L ≤ 5M:	+160/-0 mm
5M < L ≤ 10M:	±100 mm
10M < L ≤ 20M:	±200 mm
20M < L ≤ 30M:	±300 mm
30M < L ≤ 99M:	±500 mm

UNIT: mm			TITLE ACC, SEN, A Code, DB-ENDED FF	\triangle_C
TOLERANCE $\pm 0.5\text{mm}$	SCALE 1:2	SIZE A4	SHEET 1 OF 2	REV. D
	WC-REV.	\circledcirc : Inspection item		

Amphenol LTW
安費諾亮泰企業股份有限公司

ITEM NO.	DRAWN BY Ruru	DATE 2018-12-05
DWG NO. \triangle_B MSAPXXFL-SAPFR-SDXXX	CHECKED BY Rita	DATE 2018-12-05
CUSTOMER ALTW	APPROVED BY Max	DATE 2018-12-05

THIS DOCUMENT IS SUBJECT TO CHANGE WITHOUT NOTICE. IT IS CONFIDENTIAL AND A PROPERTY OF AMPHENOL LTW. DISCLOSURE TO THIRD PARTY HAS TO BE AUTHORIZED BY AMPHENOL LTW.

MSAPXXFL-SAPFR-SDXXX XX: No. Of Pin	XXX: 0.5~99Meters A05: 0.5 Meter 1: 01 Meter 2: 02 Meters . 99: 99 Meters			Contacts Cable OD		AWG	Item No.	<table border="1" style="width: 100%; border-collapse: collapse;"> <tr> <td style="text-align: center;">12P</td> <td style="text-align: center;">6.0</td> <td style="text-align: center;">26</td> <td style="text-align: center;">MSAP12FL-SAPFR-SDXXX</td> </tr> <tr> <td style="text-align: center;">10P</td> <td></td> <td></td> <td style="text-align: center;">MSAP10FL-SAPFR-SDXXX</td> </tr> <tr> <td style="text-align: center;">8P</td> <td style="text-align: center;">5.5</td> <td style="text-align: center;">24</td> <td style="text-align: center;">MSAP08FL-SAPFR-SDXXX</td> </tr> <tr> <td style="text-align: center;">6P</td> <td style="text-align: center;">5.0</td> <td></td> <td style="text-align: center;">MSAP06FL-SAPFR-SDXXX</td> </tr> <tr> <td style="text-align: center;">5P</td> <td style="text-align: center;">5.1</td> <td></td> <td style="text-align: center;">MSAP05FL-SAPFR-SDXXX</td> </tr> <tr> <td style="text-align: center;">4P</td> <td style="text-align: center;">4.8</td> <td style="text-align: center;">22</td> <td style="text-align: center;">MSAP04FL-SAPFR-SDXXX</td> </tr> <tr> <td style="text-align: center;">3P</td> <td style="text-align: center;">4.5</td> <td></td> <td style="text-align: center;">MSAP03FL-SAPFR-SDXXX</td> </tr> </table>	12P	6.0	26	MSAP12FL-SAPFR-SDXXX	10P			MSAP10FL-SAPFR-SDXXX	8P	5.5	24	MSAP08FL-SAPFR-SDXXX	6P	5.0		MSAP06FL-SAPFR-SDXXX	5P	5.1		MSAP05FL-SAPFR-SDXXX	4P	4.8	22	MSAP04FL-SAPFR-SDXXX	3P	4.5		MSAP03FL-SAPFR-SDXXX
	12P	6.0	26	MSAP12FL-SAPFR-SDXXX																																
10P			MSAP10FL-SAPFR-SDXXX																																	
8P	5.5	24	MSAP08FL-SAPFR-SDXXX																																	
6P	5.0		MSAP06FL-SAPFR-SDXXX																																	
5P	5.1		MSAP05FL-SAPFR-SDXXX																																	
4P	4.8	22	MSAP04FL-SAPFR-SDXXX																																	
3P	4.5		MSAP03FL-SAPFR-SDXXX																																	

Pin Out	3P		4P		5P		6P		8P		10P		12P	
	Pin #	Wire	Pin #	Wire	Pin #	Wire	Pin #	Wire	Pin #	Wire	Pin #	Wire	Pin #	Wire
	5 --		5 --		5 Gray	灰	5 --		5 Gray	灰	5 Gray	灰	5 Gray	灰
	4 Black	黑	4 Black	黑	4 Black	黑	4 Yellow	黃	4 Yellow	黃	4 Yellow	黃	4 Yellow	黃
	3 Blue	藍	3 Blue	藍	3 Blue	藍	3 Green	綠	3 Green	綠	3 Green	綠	3 Green	綠
	2 --		2 White	白	2 White	白	2 Brown	棕	2 Brown	棕	2 Brown	棕	2 Brown	棕
	1 Brown	棕	1 Brown	棕	1 Brown	棕	1 White	白	1 White	白	1 White	白	1 White	白
	8 --		8 --		8 Red	紅	8 --		8 Red	紅	8 --		8 Red	紅
	7 Blue	藍	7 Blue	藍	7 Blue	藍	7 Pink	粉	7 Blue	藍	7 Blue	藍	7 Blue	藍
	6 Pink	粉	6 Pink	粉	6 Pink	粉	6 Yellow	黃	6 Pink	粉	6 Pink	粉	6 Pink	粉
	5 --		5 --		5 Gray	灰	5 --		5 Gray	灰	5 Gray	灰	5 Gray	灰
	4 Yellow	黃	4 Yellow	黃	4 Yellow	黃	4 Brown	棕	4 Yellow	黃	4 Yellow	黃	4 Yellow	黃
	3 Green	綠	3 Green	綠	3 Green	綠	3 White	白	3 Green	綠	3 Green	綠	3 Green	綠
	2 Brown	棕	2 Brown	棕	2 Brown	棕	2 White	白	2 Brown	棕	2 Brown	棕	2 Brown	棕
	1 White	白	1 White	白	1 White	白	1 White	白	1 White	白	1 White	白	1 White	白
	12 --		12 --		12 Red/Blue	紅/藍	12 --		12 Red/Blue	紅/藍	12 --		12 Red/Blue	紅/藍
	11 --		11 --		11 Gray/Pink	灰/粉	11 --		11 Gray/Pink	灰/粉	11 --		11 Gray/Pink	灰/粉
	10 Violet	紫	10 Violet	紫	10 Violet	紫	10 Violet	紫	10 Violet	紫	10 Violet	紫	10 Violet	紫
	9 Black	黑	9 Black	黑	9 Black	黑	9 Black	黑	9 Black	黑	9 Black	黑	9 Black	黑

Pin Assignments Front View											
UNIT:mm			TITLE ACC, SEN, A Code, DB-ENDED FF		Amphenol LTW	ITEM NO	DRAWN BY Ruru	DATE 2018-12-05			
TOLERANCE ±0.5mm			SCALE 1:2	SIZE A4	SHEET 2 OF 2	DWG NO MSAPXXFL-SAPFR-SDXXX	CHECKED BY Rita	DATE 2018-12-05			
			REV. D	WC-REV.	Inspection item	CUSTOMER ALTW	APPROVED BY Max	DATE 2018-12-05			